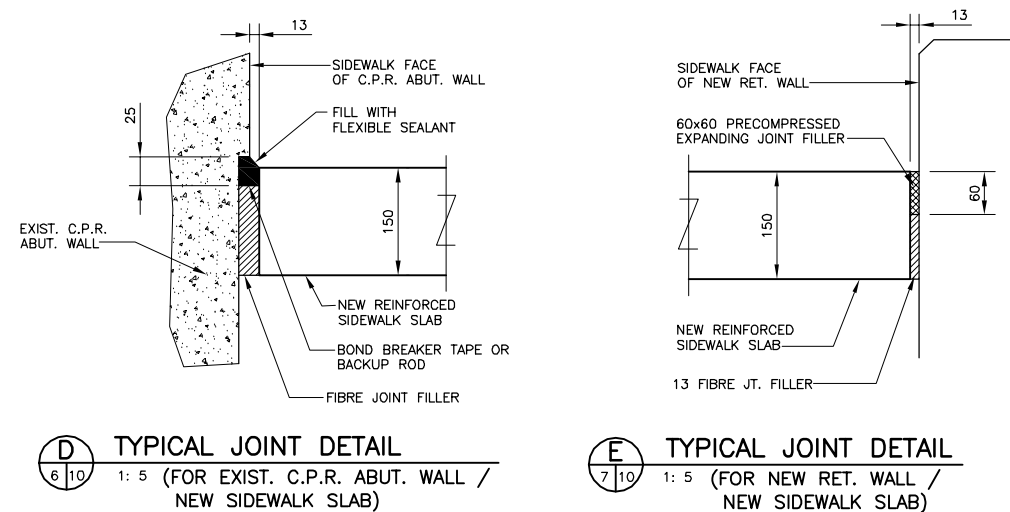
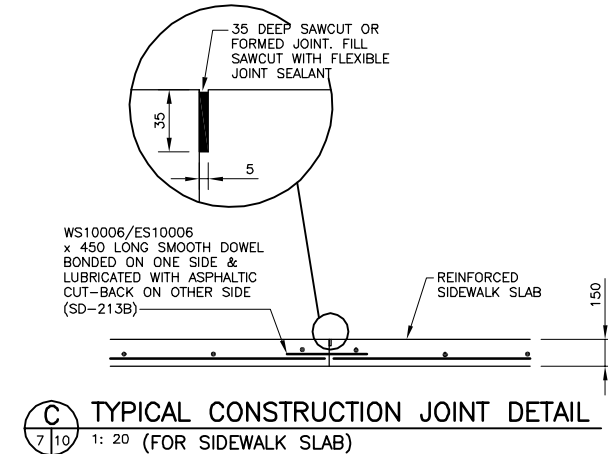
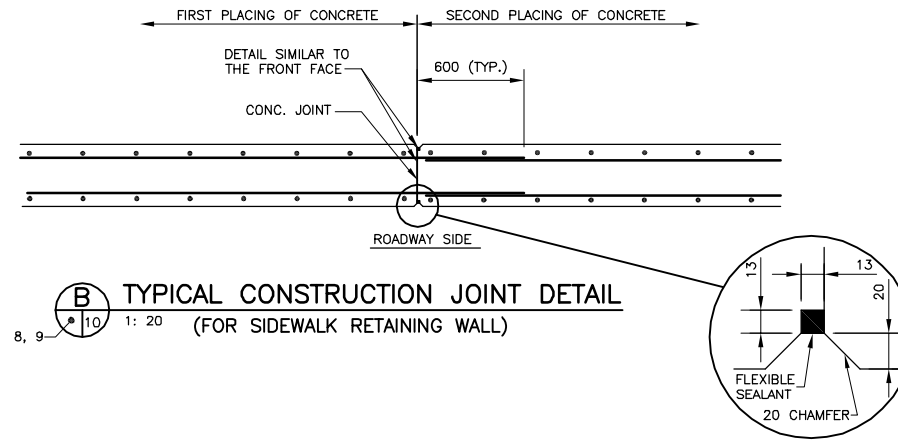
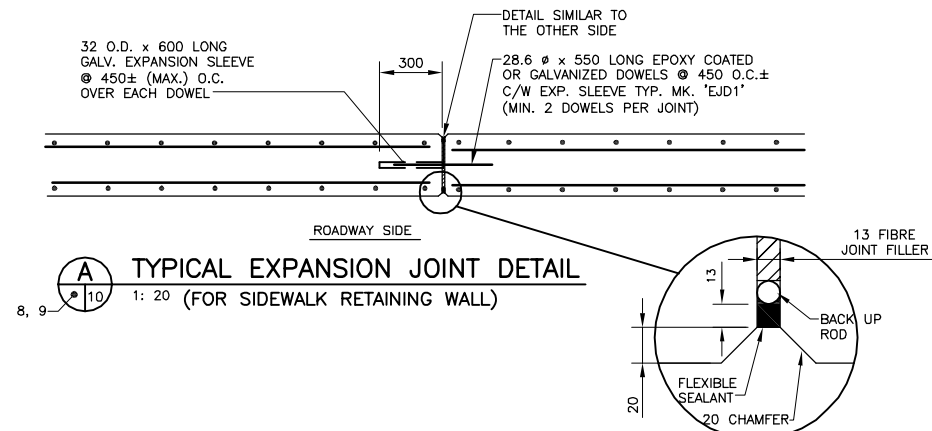
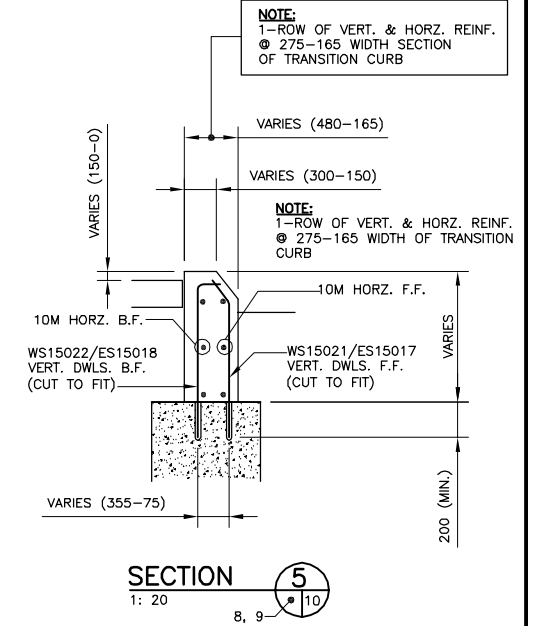
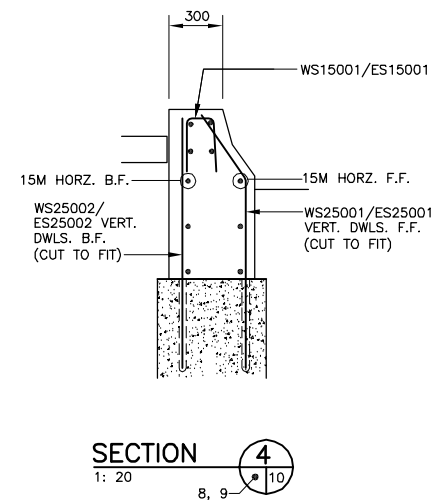


NOTES:
 1. REBAR SPACING AT 300 (MAX.) TYP. U.N.O.
 2. F.F. - FRONT FACE OF RETAINING WALL (FACING THE ROAD)
 3. B.F. - BACK FACE OF RETAINING WALL (FACING THE SIDEWALK)



**DRAWING REDUCED
NOT TO SCALE**

B.M. ELEV.	DESIGNED BY: NBG/MRD	ENGINEER'S SEAL: S.S. RIHAL	ENGINEER'S SEAL: A.S. DERAJ	THE CITY OF WINNIPEG PUBLIC WORKS DEPARTMENT 2007 CAPITAL PROGRAM ANNABELLA STREET UNDERPASS RETAINING WALL REHABILITATION AND ROADWORKS	CITY DRAWING NUMBER: U223-07-10
	DRAWN BY: NBG	PROVINCE OF MANITOBA REGISTERED PROFESSIONAL ENGINEER	PROVINCE OF MANITOBA REGISTERED PROFESSIONAL ENGINEER		SHEET 10 OF 12
	CHECKED BY: ASD	DATE: 05/17/07	DATE: 05/17/07	CONCRETE SIDEWALK & RETAINING WALL DETAILS	BID OPP NO. 291-2007
	REVIEWED BY: SSR	DATE: 04/03/07	DATE: 04/03/07		
2 ISSUED FOR TENDER 05/22/07 MRD	HOR. SCALE: AS SHOWN	DILLON CONSULTING RELEASED FOR CONSTRUCTION ORIGINAL SIGNED BY: B. A. NEIRINCKX DATE: APRIL 2007		CONSULTANT PROJECT NO. 06-7122-2000	
1 ISSUED FOR CITY REVIEW 04/03/07 NBG	VERTICAL				
NO. REVISIONS	DATE	BY	DATE		