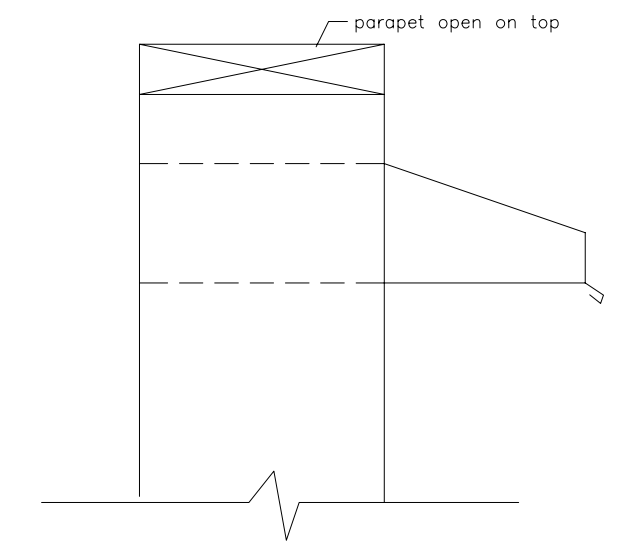


# Typical Parapet Construction

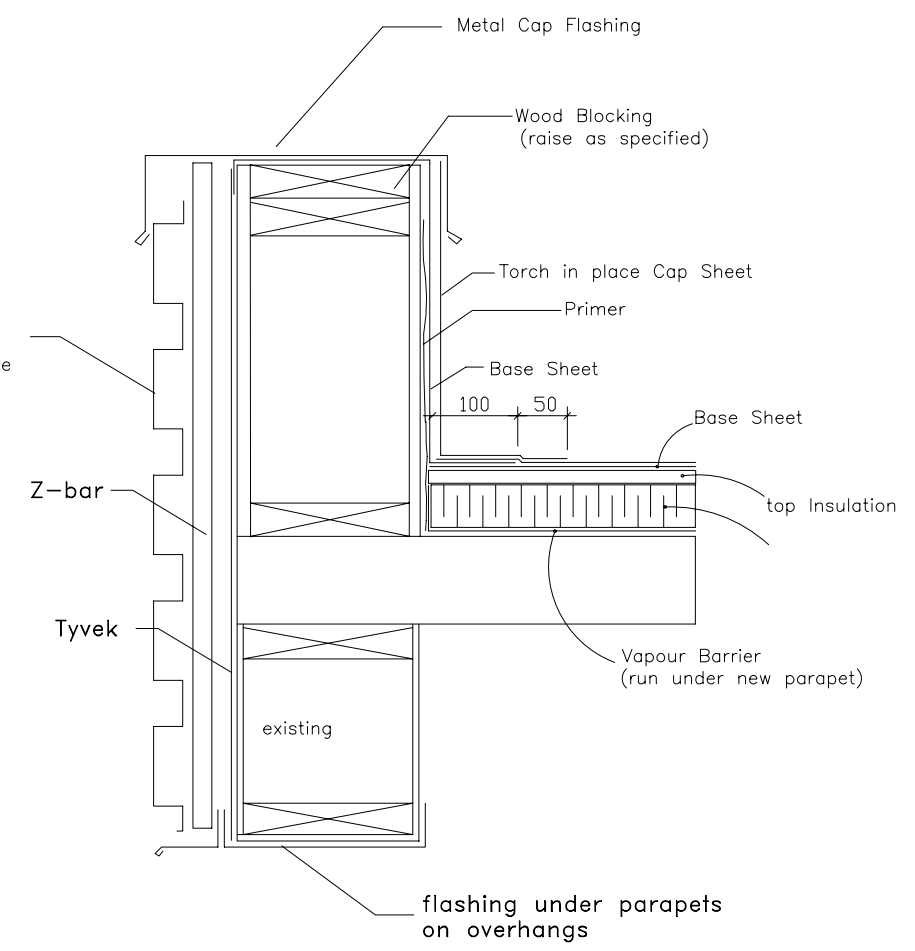
## Typical Scupper



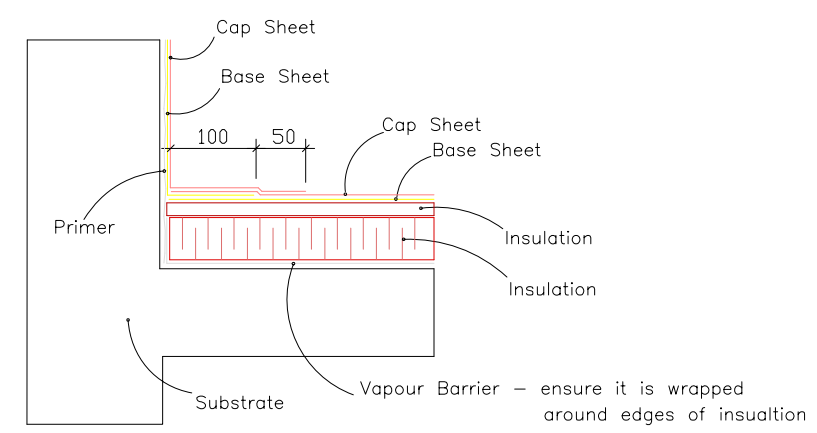
Notes:  
Scupper shall be minimum 8"

- new siding
- Sample to be submitted for approval
- color to be from standard color range
- to be secured with prefinished screws and washers

Note: Z-bars are to be deep enough to allow siding to run over the top of the east and west block walls.



## Typical Roof Edge Detail



Note: Modified Bitumen stripping used in conjunction with 4 ply felt membrane is to have base sheet extend 12" onto flat and cap sheet 18" onto flat.

<b>AGASSIZ CONSULTING GROUP</b>	
809 Pipeline Road, Winnipeg, Manitoba Phone: 697-8091 Fax: 697-8039	
Project:	Pritchard Park CC 295 Pritchard Avenue Winnipeg, MB
Date:	March 26, 2007
Drawing No.	D-1
File no:	3863-07
Scale:	N.T.S.