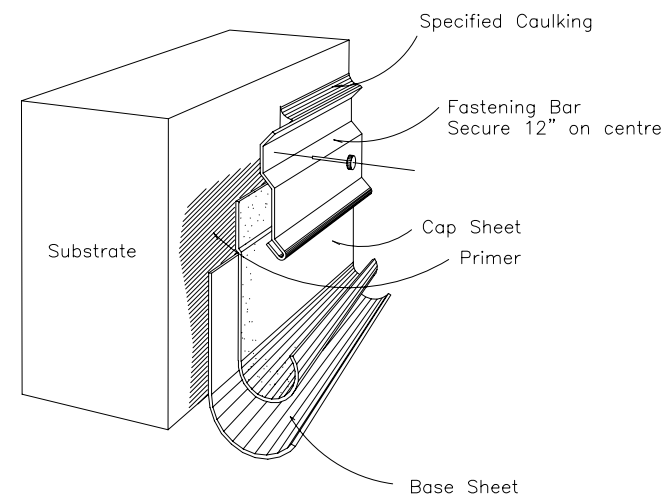
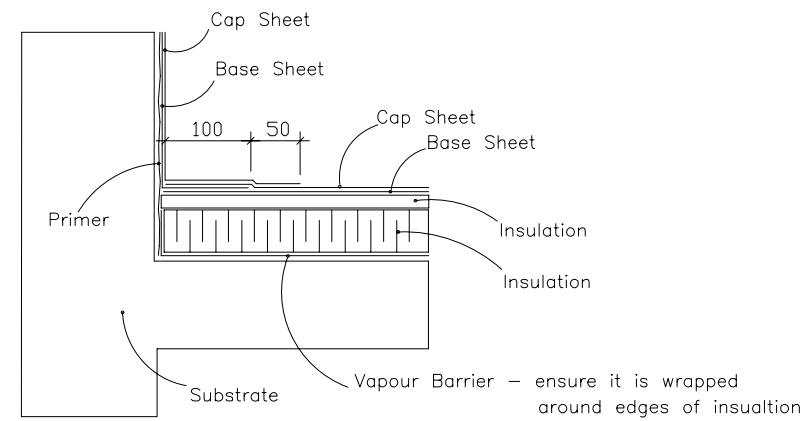


Typical Fastening Bar

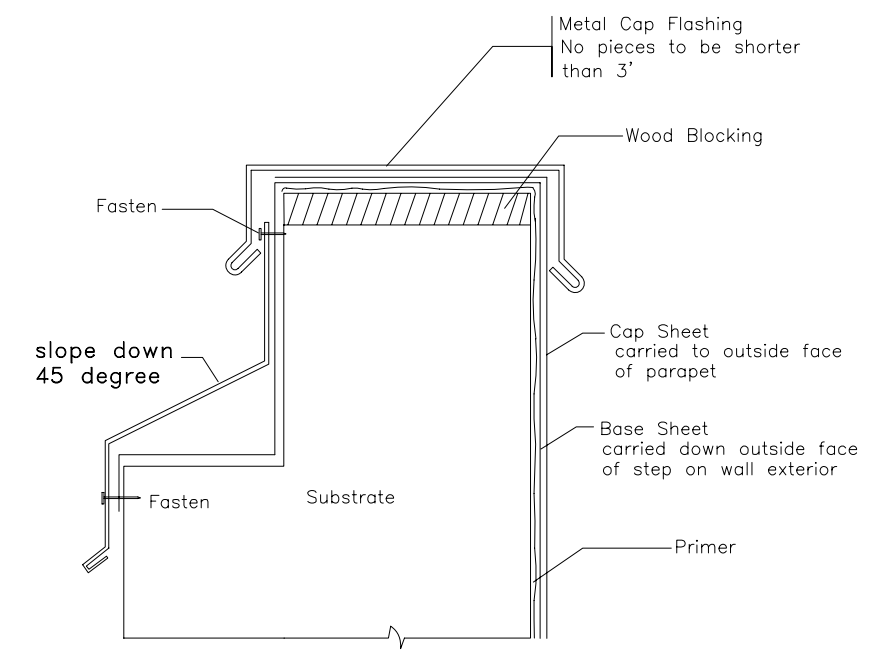


Typical Roof Edge Detail



Note: Modified Bitumen stippling used in conjunction with 4 ply felt membrane is to have base sheet extend 12" onto flat and cap sheet 18" onto flat.

Typical Parapet Cap



AGASSIZ CONSULTING GROUP

809 Pipeline Road, Winnipeg, Manitoba
Phone: 697-8091 Fax: 697-8039

Project: Kirkfield/Westwood CC
165 Sansome Avenue
Winnipeg, MB

Date: January 29, 2007

Drawing No. D-1

File no: 3391-07 Scale: N.T.S.