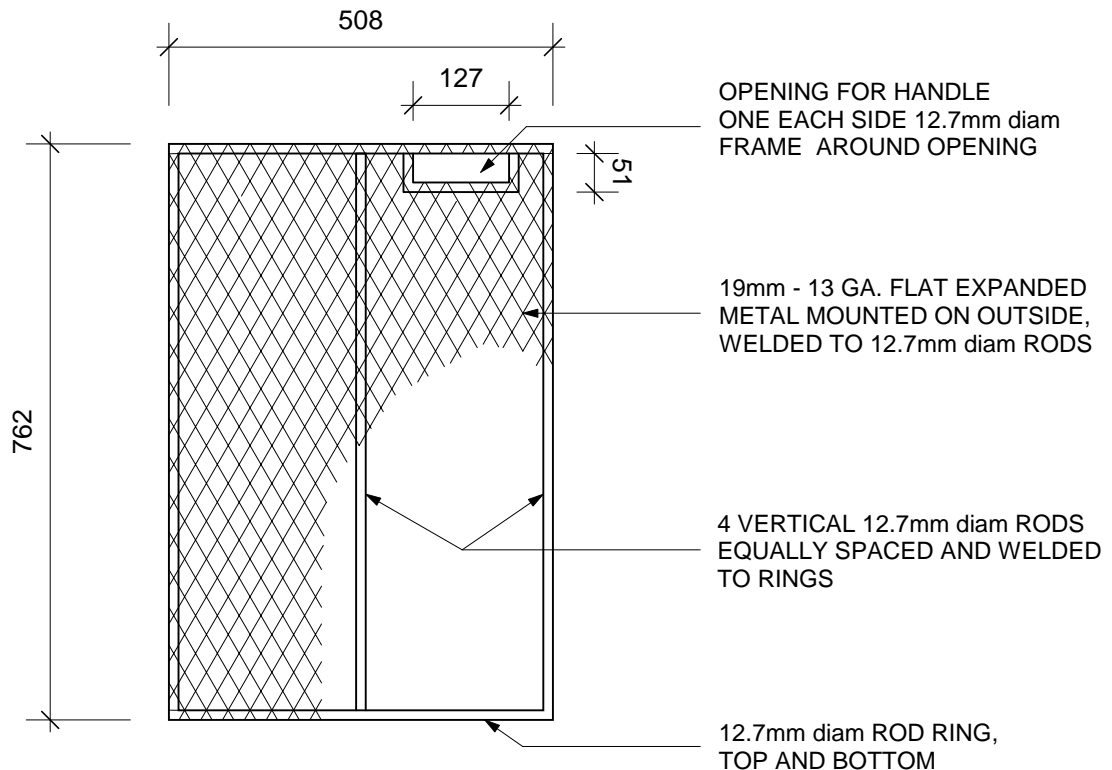


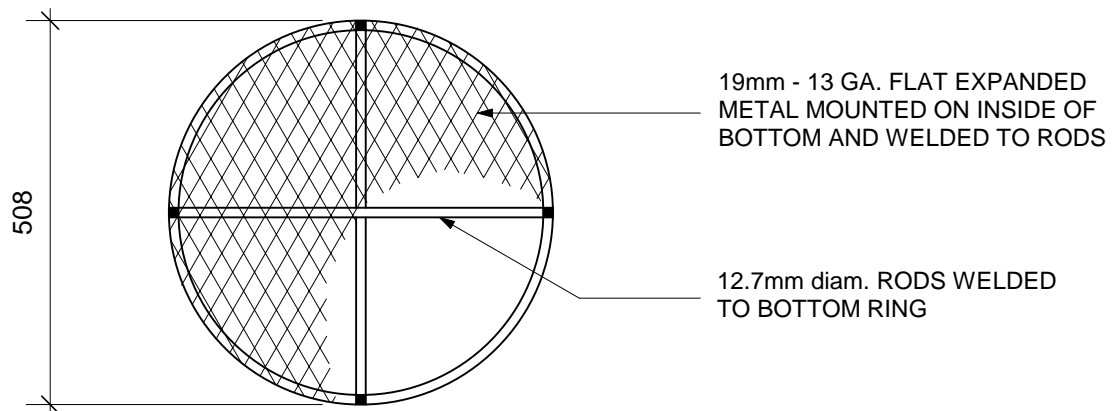
TITLE

# EXPANDED METAL BASKET

scd-106



**SIDE VIEW**



**BOTTOM VIEW**

**NOTE:**  
APPLY ONE COAT OF METAL  
PRIMER AND ONE COAT OF  
ALUMINUM PAINT.

**NOTE:**  
ALL DIMENSIONS SHOWN  
ARE IN MILLIMETERS.

DRAWN ST  
DATE JULY/04  
NOT TO SCALE

THE CITY OF WINNIPEG  
Planning, Property and Development Department  
Planning and Land Use Division  
Unit 15 - 10 Fort Street, Winnipeg, MB, R3C 4X5

