

NOTE: CHAINAGES SHOWN ARE ALONG S R OF EDWARD AVE. E.

EDWARD AVENUE (EAST)



ADDRESS	SIZE(mm) & TYPE (STREET)	SIZE(mm) & TYPE (PROP)	SHORT & LONG MEASUREMENT	CORP. LOCATION
323 EDWARD AVE E	20 COPPER	20 COPPER	1.68 EEL HSE	1.60 W OF S/C
RESIDENTIAL	-	-	56.04 EEL ST. CLAIRE	-
324 EDWARD AVE E	20 COPPER	20 COPPER	5.31 WEL HSE	-
RESIDENTIAL	-	-	55.96 EEL ST. CLAIRE	-
327 EDWARD AVE E	20 COPPER	20 COPPER	7.39 WEL HSE	-
RESIDENTIAL	-	-	68.97 EEL ST. CLAIRE	-
328 EDWARD AVE E	20 COPPER	20 COPPER	3.91 WEL HSE	-
RESIDENTIAL	-	-	72.16 EEL ST. CLAIRE	-
330 EDWARD AVE E	20 COPPER	20 COPPER	2.15 WEL HSE	-
RESIDENTIAL	-	-	83.55 WML EDWARD (E LEG)	-
331 EDWARD AVE E	20 COPPER	20 COPPER	6.48 WEL HSE	-
RESIDENTIAL	-	-	86.85 WML EDWARD (E LEG)	-
334 EDWARD AVE E	20 COPPER	20 COPPER	5.70 WEL HSE	-
RESIDENTIAL	-	-	69.76 WML EDWARD (E LEG)	-
335 EDWARD AVE E	20 COPPER	20 COPPER	3.36 WEL HSE	-
RESIDENTIAL	-	-	68.37 WML EDWARD (E LEG)	-
338 EDWARD AVE E	20 COPPER	20 COPPER	4.25 WEL HSE	-
RESIDENTIAL	-	-	54.37 WML EDWARD (E LEG)	-
339 EDWARD AVE E	20 COPPER	20 COPPER	5.38 WEL HSE	-
RESIDENTIAL	-	-	55.08 WML EDWARD (E LEG)	-
342 EDWARD AVE E	20 COPPER	20 COPPER	4.90 WEL HSE	-
RESIDENTIAL	-	-	39.56 WML EDWARD (E LEG)	-
343 EDWARD AVE E	20 COPPER	20 COPPER	5.10 WEL HSE	-
COMMERCIAL	-	-	39.95 WML EDWARD (E LEG)	-
346 EDWARD AVE E	20 COPPER	20 COPPER	4.82 WEL HSE	-
RESIDENTIAL	-	-	23.66 WML EDWARD (E LEG)	-
347 EDWARD AVE E	20 COPPER	20 COPPER	5.46 WEL HSE	-
RESIDENTIAL	-	-	24.73 WML EDWARD (E LEG)	-
350 EDWARD AVE E	20 COPPER	20 COPPER	6.42 WEL HSE	0.10 W OF S/C
RESIDENTIAL	-	-	9.47 WML EDWARD (E LEG)	-
351 EDWARD AVE E	20 COPPER	20 COPPER	8.61 WEL HSE	0.71 E OF S/C
RESIDENTIAL	-	-	12.76 WML EDWARD (E LEG)	-
355 EDWARD AVE E	20 COPPER	20 COPPER	4.17 WEL HSE	0.20 W OF S/C
COMMERCIAL	-	-	2.72 EWL EDWARD (E LEG)	-
359 EDWARD AVE E	-	-	-	NO SERVICE INFO AVAILABLE
EMPTY LOT	-	-	-	-
363 EDWARD AVE E	20 COPPER	20 COPPER	4.42 SNL HSE	0.50 N OF S/C
RESIDENTIAL	-	-	6.46 SSL EDWARD	-

\*SERVICES TO BE RENEWED TO R ALL OTHERS TO BE RECONNECTED

- CONSTRUCTION NOTES**
1. EXPOSE EXISTING WATERMAIN & CONFIRM INVERTS PRIOR TO CONSTRUCTION.
  2. CONFIRM LOCATION OF ALL SERVICES IN THE FIELD.
  3. INSTALL WATERMAIN BY TRENCHLESS METHODS.
  4. TRENCHES AND EXCAVATIONS WITHIN 1 METRE OF A PAVED AREA INCLUDING SIDEWALKS SHALL BE CLASS 3 BACKFILL.
  5. ALL MATERIALS SHALL CONFORM TO THE CITY OF WINNIPEG STANDARD CONSTRUCTION SPECIFICATIONS.
  6. MINIMUM COVER TO TOP OF WATERMAIN SHALL BE 2.4 m.
  7. REPLACE ALL EXISTING LEAD SERVICES FROM PROPOSED WATERMAIN TO R.
  8. NOTIFY ALL AFFECTED RESIDENTS AND BUSINESSES 24 HOURS IN ADVANCE OF ANY WATER SHUTDOWNS OR DISRUPTION OF SERVICE.
  9. EXCAVATIONS TO BE LOCATED AWAY FROM EXISTING TREES.

**WARNING**

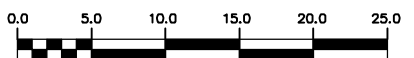
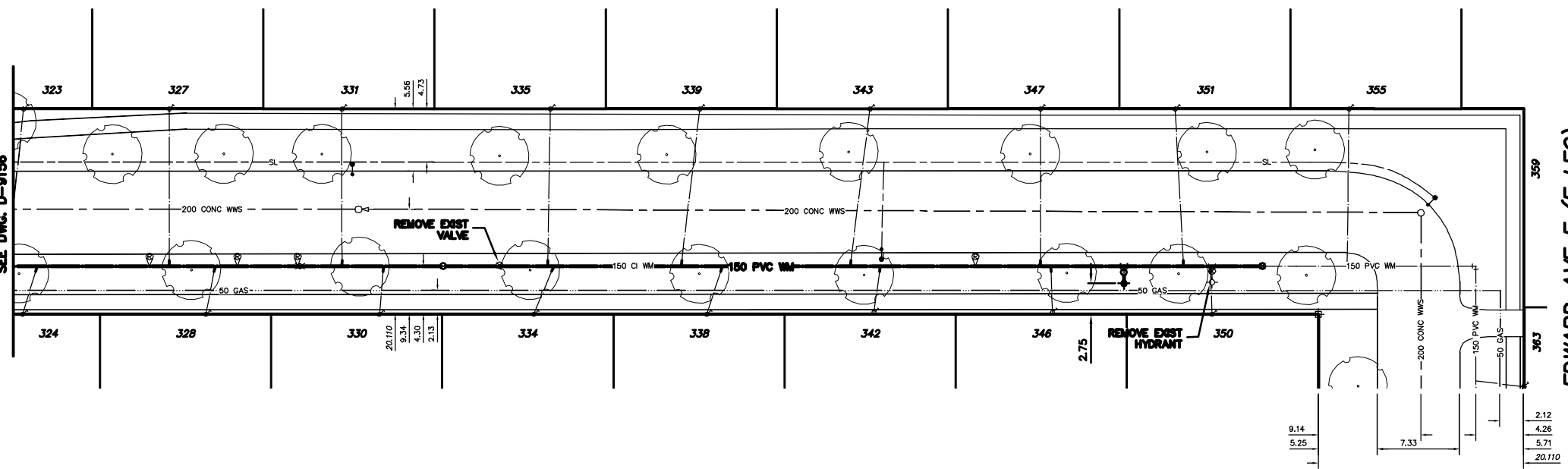
IF POWER EQUIPMENT OR EXPLOSIVES ARE TO BE USED FOR EXCAVATION ON THIS PROJECT THE CONTRACTOR MUST:

- 1) NOTIFY THE GAS COMPANY OF THE PROPOSED LOCATION OF EXCAVATION.
- 2) TAKE PRECAUTION TO AVOID DAMAGE TO GAS COMPANY INSTALLATIONS.

SEE PROVINCIAL REGULATION 210/72 FOR DETAILS

**METRIC**  
WHOLE NUMBERS INDICATE MILLIMETRES  
DECIMALIZED NUMBERS INDICATE METRES

NOTE: ALL VALVES TO BE INSTALLED CLOCKWISE TO CLOSE



ONLINE RENEWAL

200 WM	WATERMAIN	200 WM	SL, HYDRO	150 WM	WATERMAIN	150 WM	LOCATION APPROVED
⊕	HYDRANT	⊕	MTS	⊕	HYDRANT	⊕	UNDERGROUND STRUCTURES
⊙	VALVE	⊙	TRAFFIC SIGNALS	⊙	VALVE	⊙	
525 LDS	LAND DRAINAGE SEWER	525 LDS	GAS	50 GAS	300 LDS	300 LDS	
375 WWS	WASTEWATER SEWER	375 WWS	SURVEY BAR	250 WWS	250 WWS	250 WWS	
○	MANHOLE	○	FENCE	×	☉	☉	
□	CATCH BASIN	□	POLE - HYDRO, MTS	▬	☉	☉	
▽	CURB INLET	▽	CURB STOP	△	☉	☉	
∇	REDUCER	∇	GUY ANCHOR	⊕	☉	☉	
X	COUPLER	X	LIGHT STANDARD	⊕	☉	☉	
∩	ANODE	∩	TREE	⊕	☉	☉	
EXISTING	LEGEND-PLAN	PROPOSED	EXISTING	LEGEND-PLAN	PROPOSED	EXISTING	LEGEND-PROFILE

FIELD BOOK #:

POSTED TO LBS:

**CITY OF WINNIPEG**  
WATER AND WASTE  
ENGINEERING DIVISION

DESIGNED BY: SC  
DRAWN BY: CJH  
HOR. SCALE: 1:250  
VERTICAL: 1:50

CHECKED BY: TW  
APPROVED BY: KZ  
RELEASED FOR CONSTRUCTION

DATE: 2007 04 25

ENGINEER'S SEAL:

ORIGINAL SIGNED BY S.R.J. COURNOYER 07/04/25

NO. REVISIONS: \_\_\_\_\_ DATE: \_\_\_\_\_ BY: \_\_\_\_\_

**THE CITY OF WINNIPEG**  
WATER AND WASTE DEPARTMENT

2007 WATERMAIN RENEWALS  
CONTRACT 3  
**EDWARD AVENUE (EAST)**  
55 E OF EL ST. CLAIRE BOULEVARD TO  
EDWARD AVENUE E (E LEG)

SHEET 2 OF 6  
CITY DRAWING NUMBER  
D-9157

BID OPPORTUNITY 318-2007  
FILENAME: D-9157.dwg  
PLOT DATE: 2007 04 25