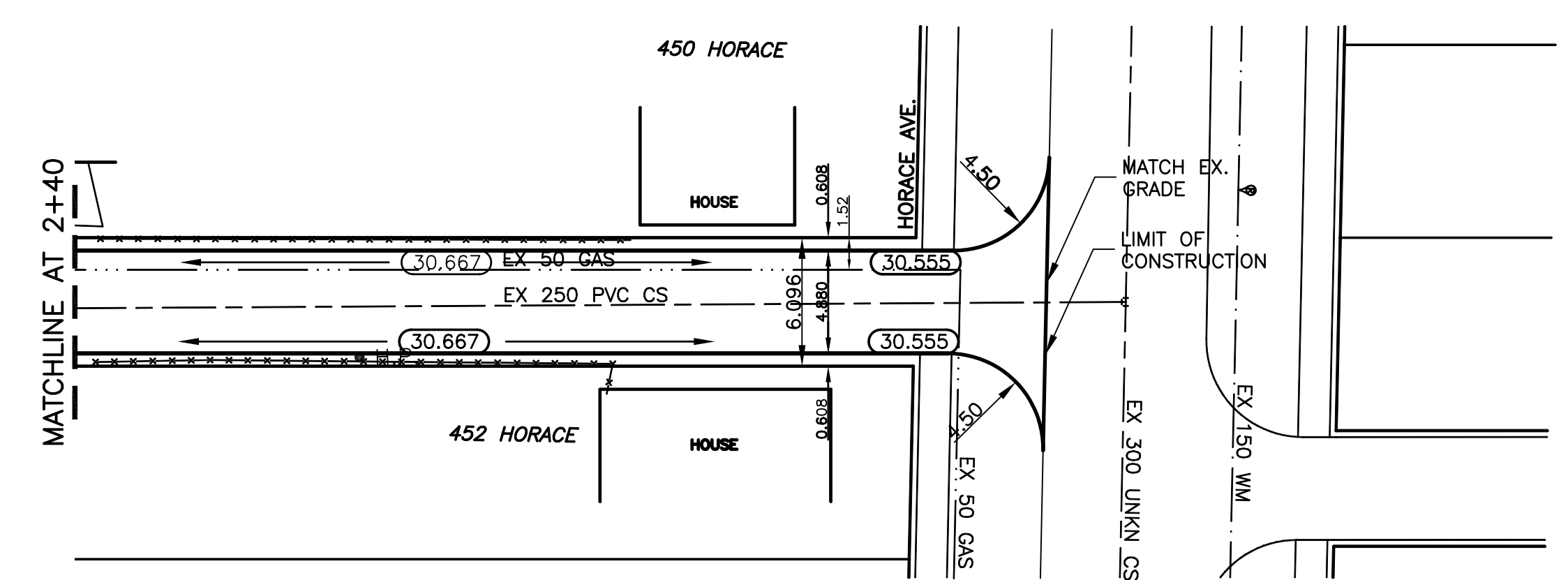
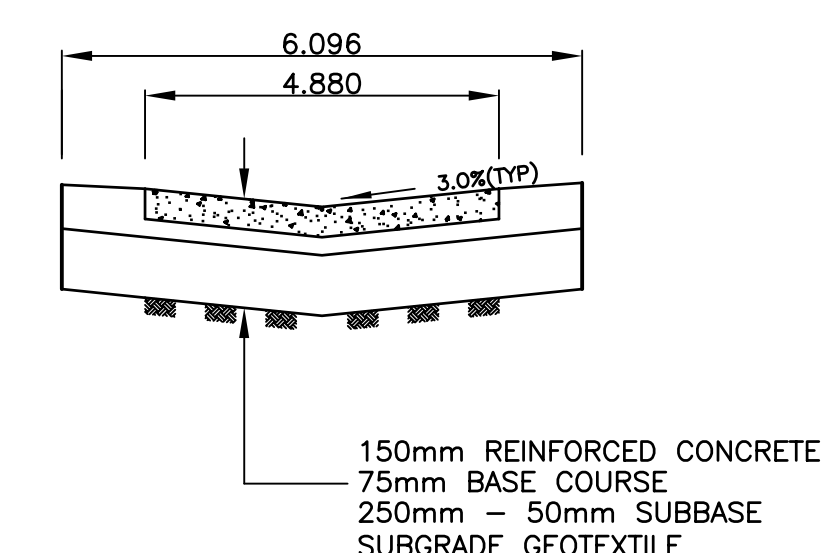
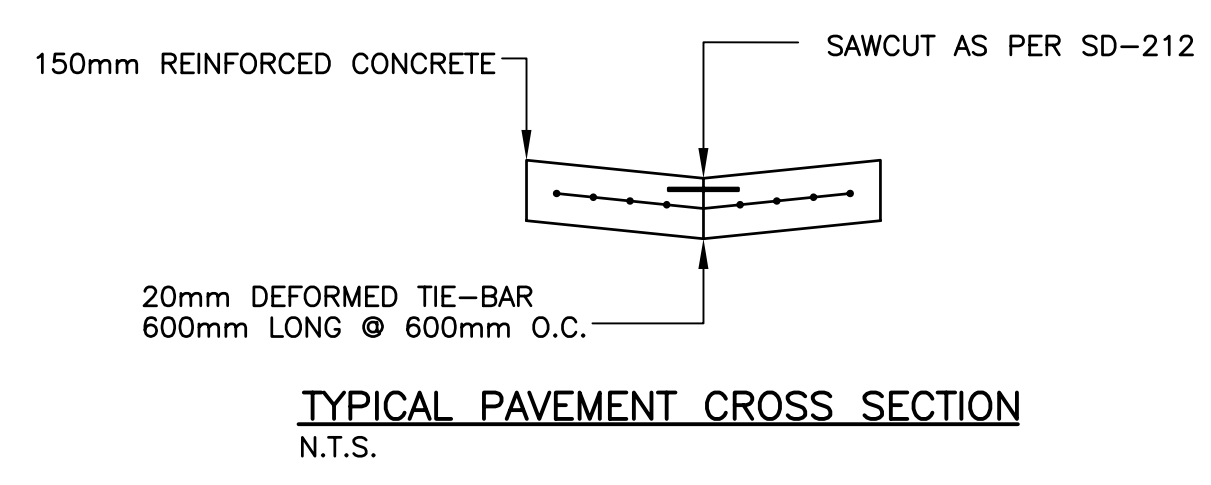
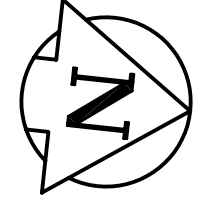


- NOTES:**
- ISOLATE EXISTING HYDRO POLES AS DIRECTED BY CONTRACT ADMINISTRATOR
 - RENEW EXISTING APPROACHES AS DIRECTED BY CONTRACT ADMINISTRATOR
 - MODIFIED BARRIER CURB TO BE USED FOR CURB RENEWAL AT RADII.

CHAINAGE ALONG CENTER OF ROW



BENCHMARK:
N.W. CORNER OF RUE DES MEURONS AND GOULET ST. TBLT. IN
S. CONC. FOUNDATION OF FIRE HALL NO. 3, 0.5 m S. & 1.0 m
BELOW BRICK OF N.W. CORNER OF BUILDING

METRIC
WHOLE NUMBERS INDICATE MILLIMETRES
DECIMALIZED NUMBERS INDICATE METRES

APEGM
Certificate of Authorization
SEG Engineering Inc.
No. 252 Expiry: April 30, 2008

THE CITY OF WINNIPEG
PUBLIC WORKS DEPARTMENT

2007 LOCAL IMPROVEMENTS
HORACE/EUGENIE LANE
LANE PAVEMENT
FROM MATCHLINE AT STATION 2+40
TO HORACE AVE

CITY DRAWING NO.
SHEET 2 OF 3
344-2007

---	WATERMAIN	---	HYDRO	---	CENTER LINE	---	LOCATION APPROVED
⊕	HYDRANT VALVE	⊕	M.T.S. CONCRETE	---	WEST GUTTER LINE	---	B.M. ELEV. CWM: 34-010 231.032
---	LAND DRAINAGE SEWER	---	ASPHALT	---	EAST GUTTER LINE	---	DESIGNED BY S.M./R.H.
---	WASTE WATER SEWER	---	PROPERTY LINE	---	WATERMAIN	---	CHECKED BY S.M.
○	MANHOLE	⊕	SURVEY BAR	---	VALVE	---	APPROVED BY I.McK
□	CATCH BASIN	●	CURB STOP	---	LAND DRAINAGE SEWER	---	RELEASED FOR CONSTRUCTION
△	CURB INLET	▲	C.B. LEAD	---	WASTE WATER SEWER	---	HOR. SCALE: 1:250
---	TRAFFIC SIGNAL	---	SIDEWALK	---	JUNCTIONS	---	VERT. SCALE: 1:10
---	STEAM HT.	---	FENCE LINE	---	CULVERT	---	DATE JUNE 2007
---	GAS	---	ELEVATIONS	---	ASPH./CONC. PAD	---	DATE
---	EXISTING	---	LEGEND - PLAN	---	GARAGE PAD	---	DATE
---	LEGEND - PLAN	---	PROPOSED	---	EXISTING	---	LEGEND - PROFILE
---	PROPOSED	---	EXISTING	---	LEGEND - PLAN	---	PROPOSED

NOTE:
LOCATION OF UNDERGROUND STRUCTURES AS SHOWN ARE BASED ON THE BEST INFORMATION AVAILABLE BUT NO GUARANTEE IS GIVEN THAT ALL EXISTING UTILITIES ARE SHOWN OR THAT THE GIVEN LOCATIONS ARE EXACT. CONFIRMATION OF EXISTENCE AND EXACT LOCATION OF ALL SERVICES MUST BE OBTAINED FROM THE INDIVIDUAL UTILITIES BEFORE PROCEEDING WITH CONSTRUCTION.

NO.	REVISIONS	DATE	BY

SEG ENGINEERING INC.
ENGINEERING
200 TACHE AVENUE
WINNIPEG, MANITOBA
(204)-233-2113

DESIGNED BY S.M./R.H.
DRAWN BY R.H.
HOR. SCALE: 1:250
VERT. SCALE: 1:10
DATE JUNE 2007

CHECKED BY S.M.
APPROVED BY I.McK
RELEASED FOR CONSTRUCTION
DATE



CONSULTANT DRAWING NO.
063-048-09