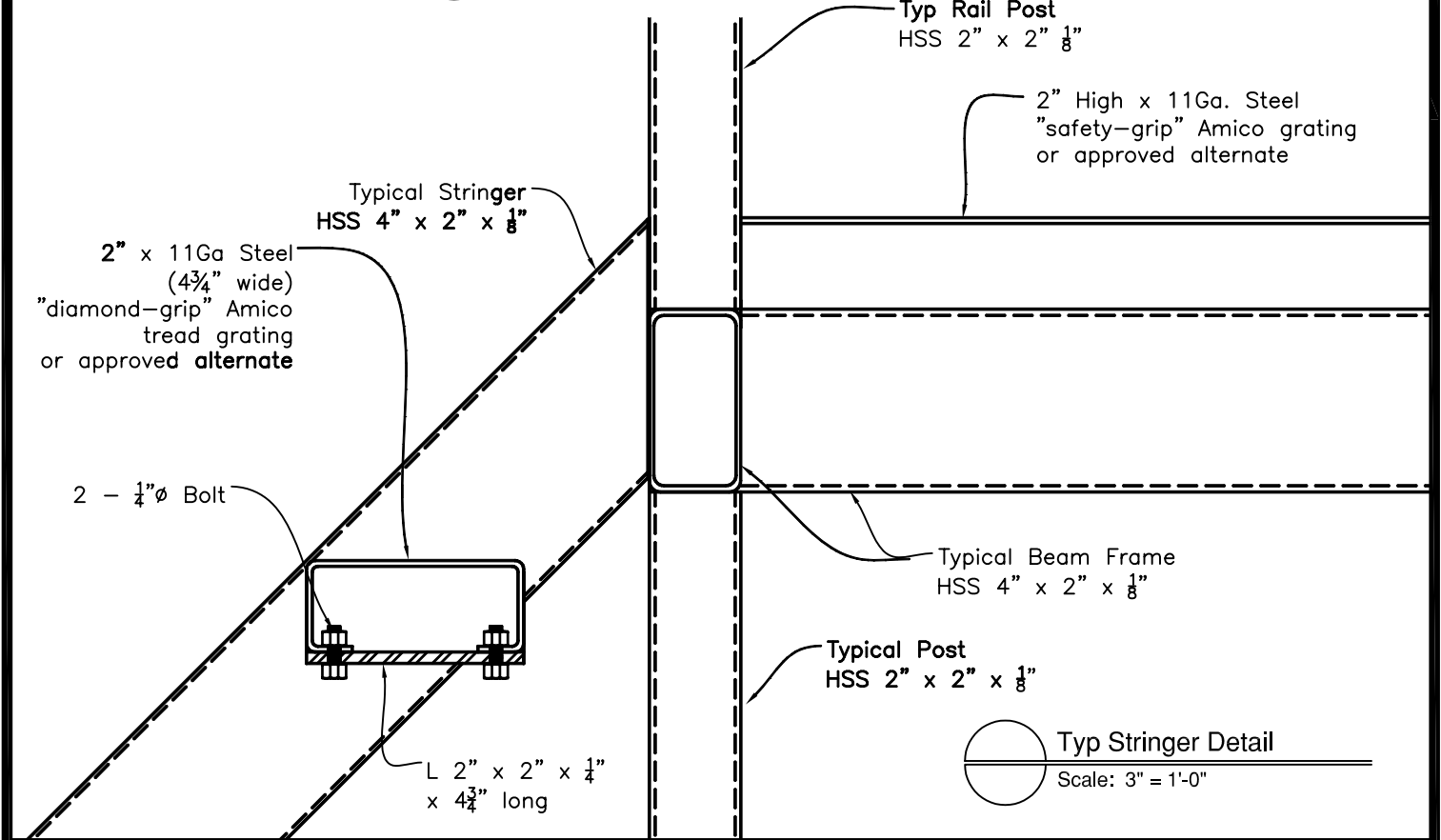


○ Typical Grating - Beam Connection
Scale: 6" = 1'-0"



○ Typ Stringer Detail
Scale: 3" = 1'-0"

B-10

New Roof Top AHU Platform
Bonivital Pool
1215 Archibald Street
Winnipeg, Manitoba



GC ENGINEERING LTD.
675 ELM ST.
WINNIPEG MB R3M 3N8
PH 793-3948 FAX 487-4616
EMAIL CALGRAY@MTS.NET