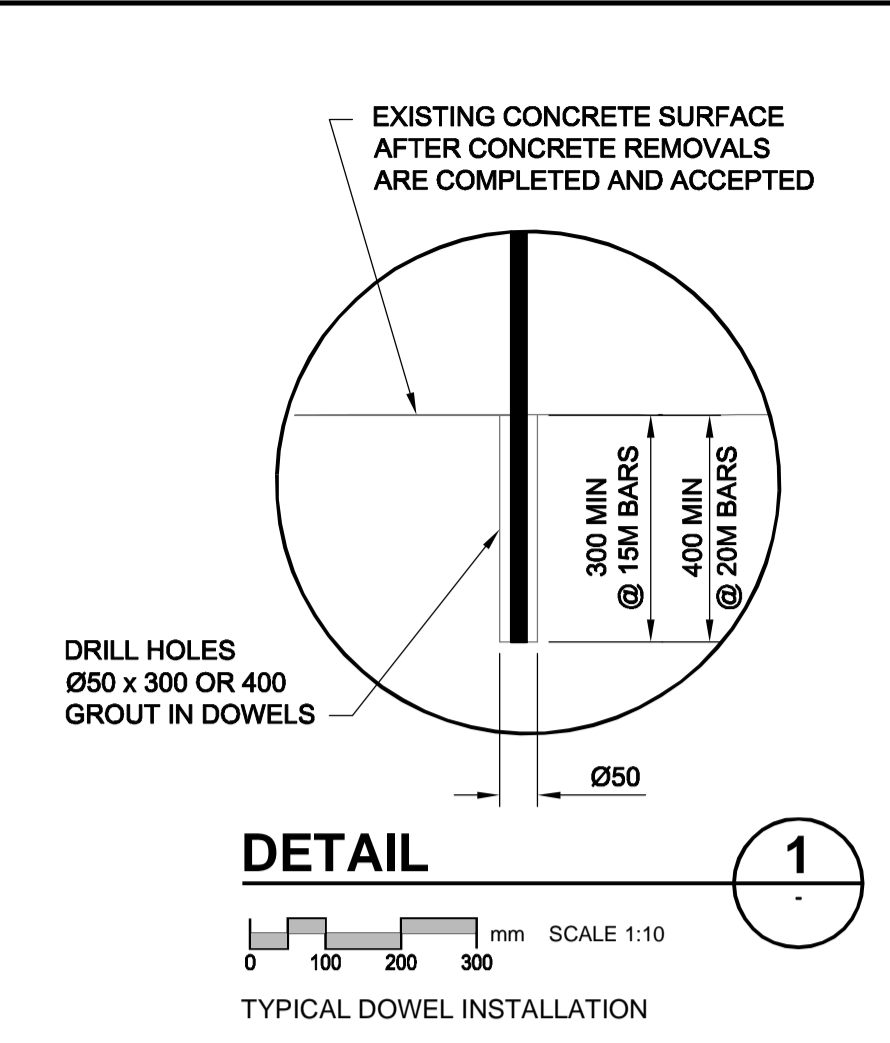
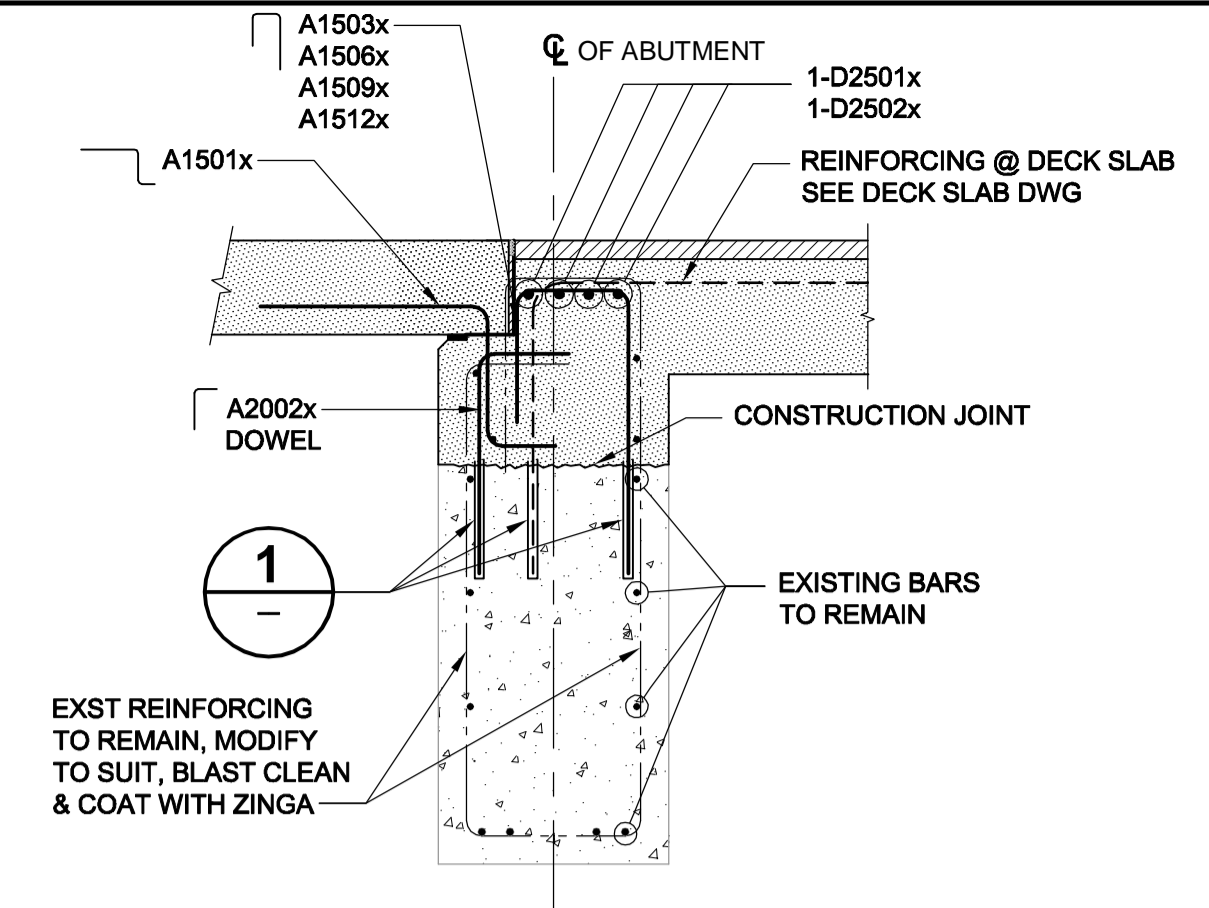


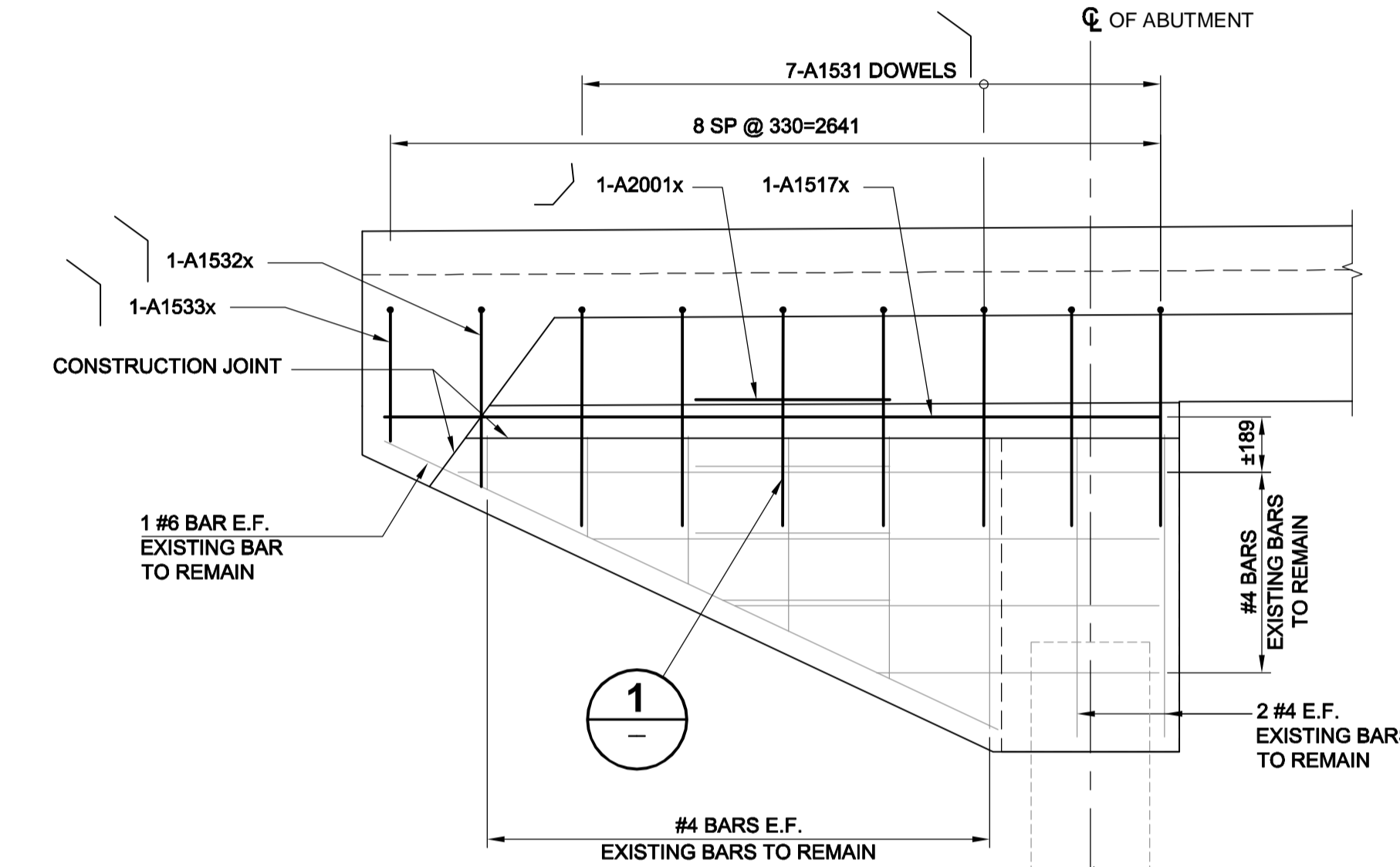
ELEVATION A
WEST ABUTMENT
OUTSIDE FACE
SCALE 1:50



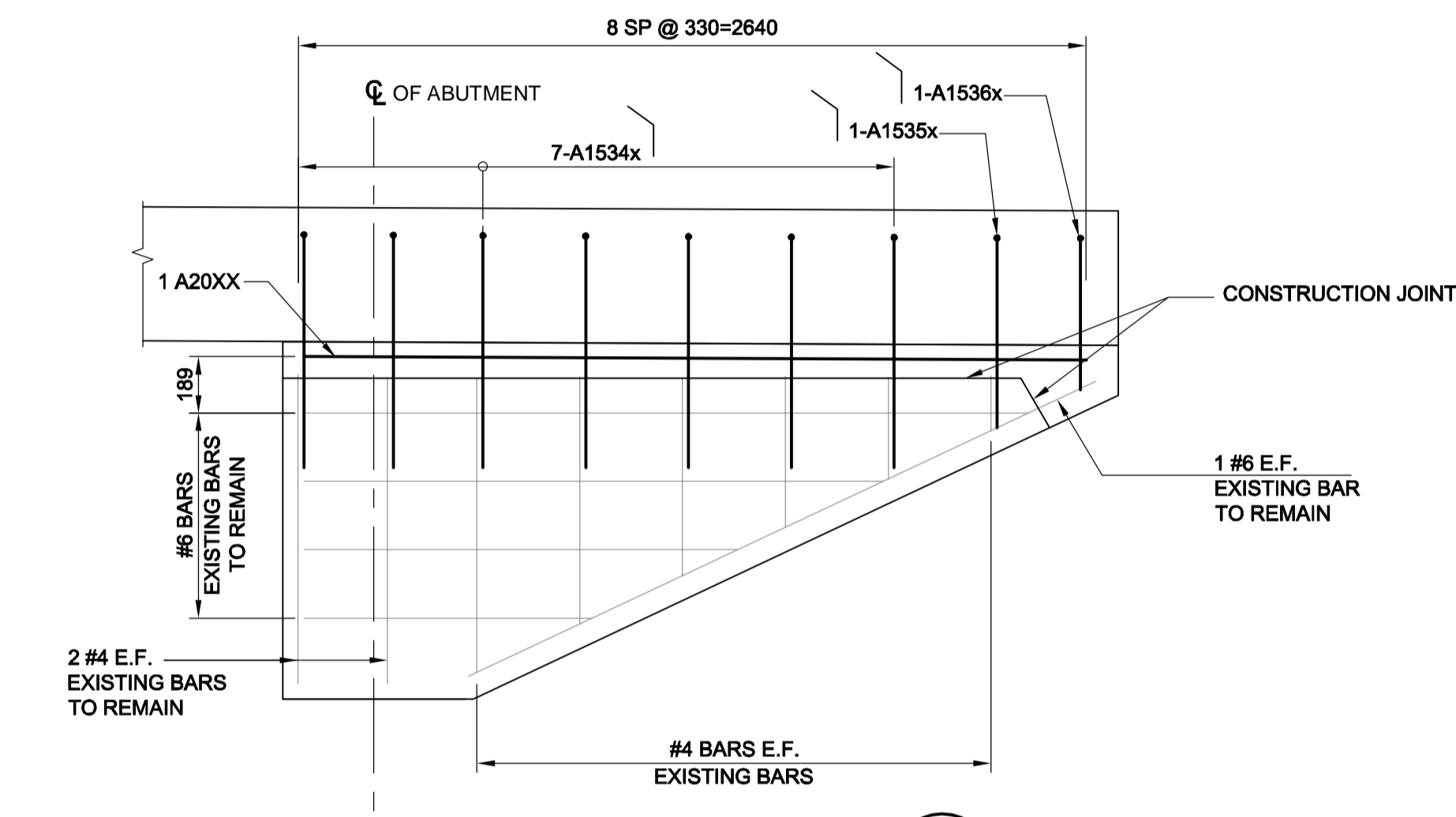
DETAIL 1
TYPICAL DOWEL INSTALLATION
SCALE 1:10



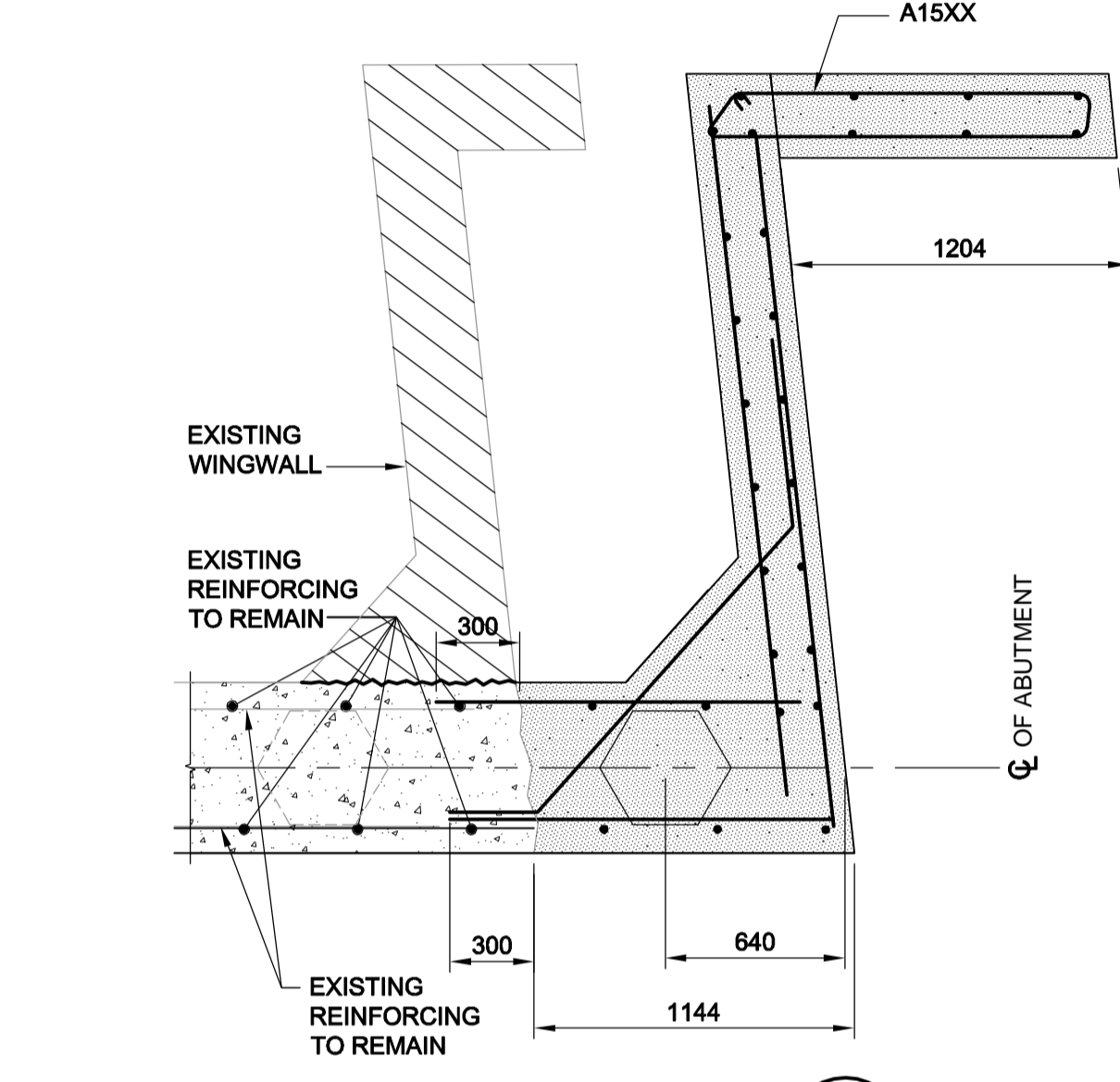
SECTION 2
TYPICAL FOR ENTIRE LENGTH OF ABUTMENT
UNLESS OTHERWISE SPECIFIED
SCALE 1:20



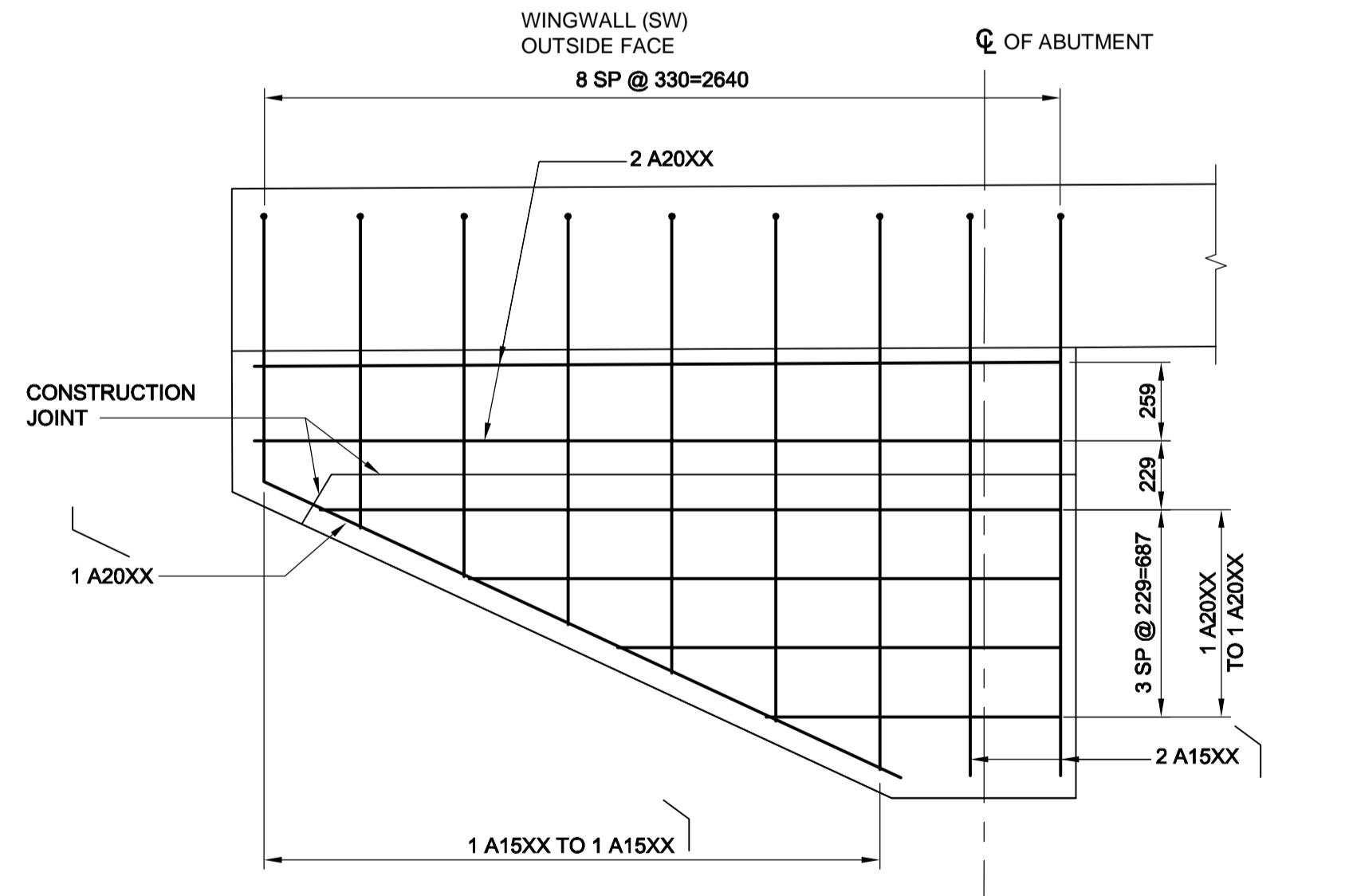
ELEVATION B
WINGWALL (SW)
OUTSIDE FACE
SCALE 1:20



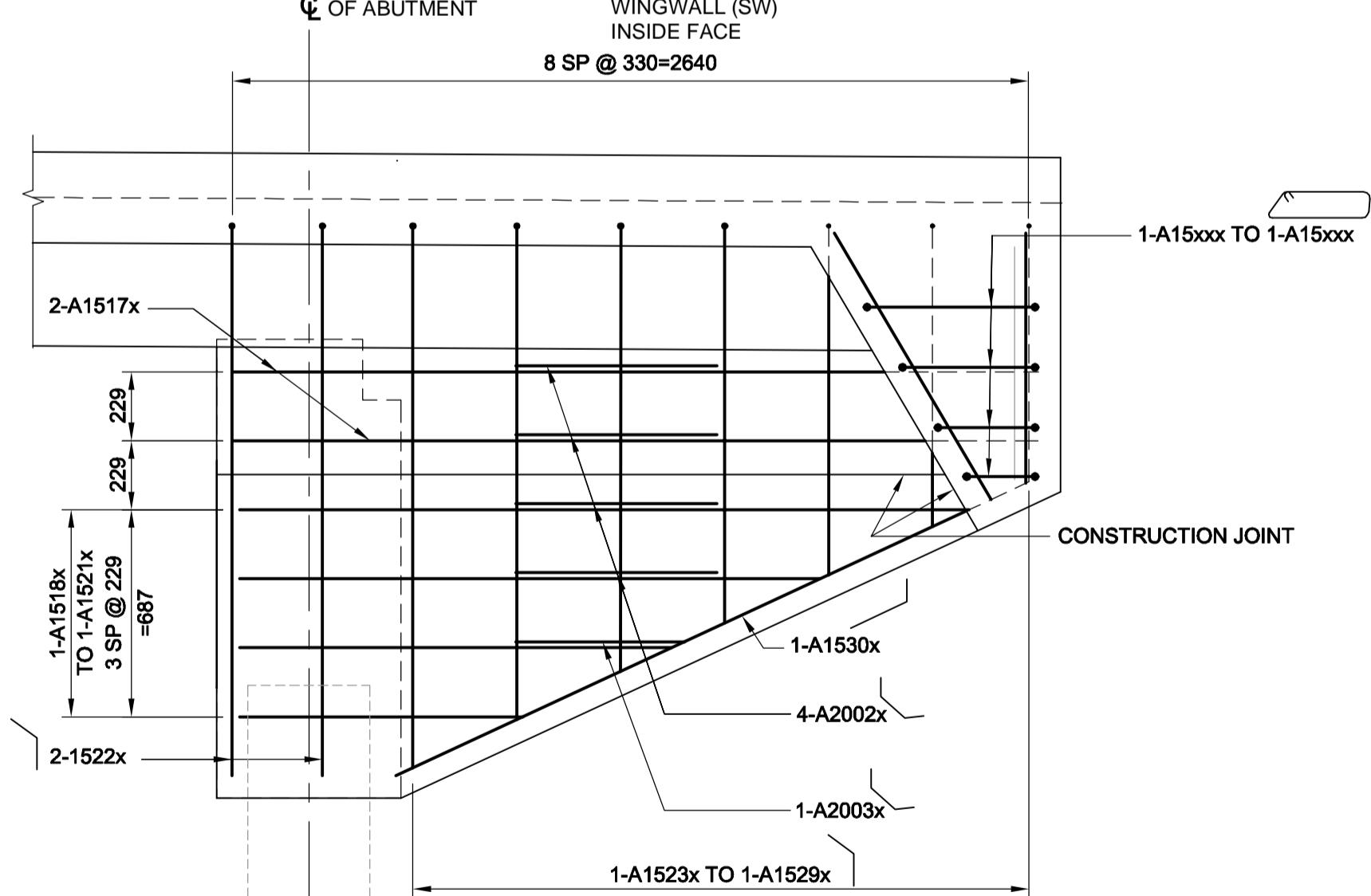
SECTION C
WINGWALL (SW)
INSIDE FACE
SCALE 1:20



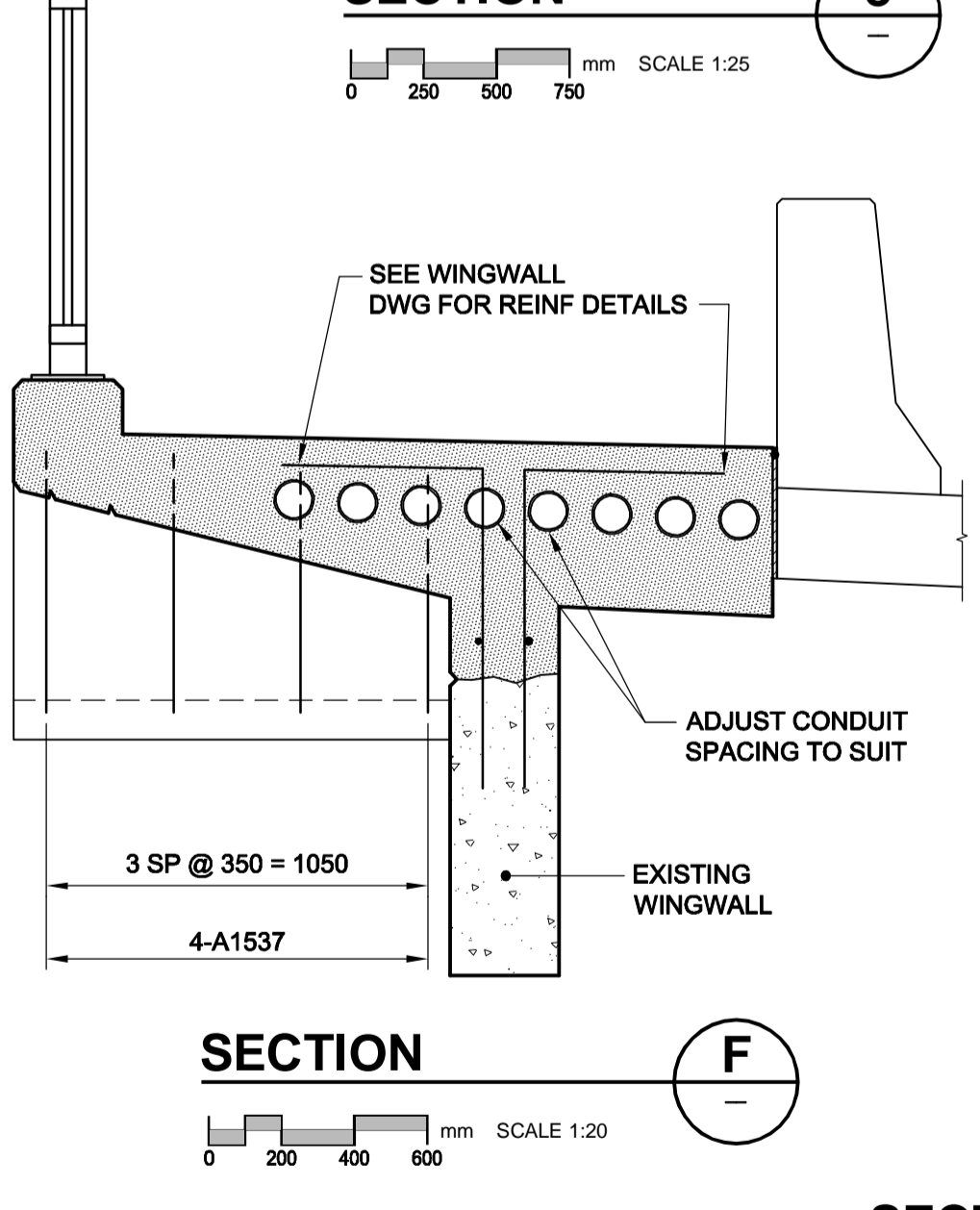
SECTION 3
SCALE 1:25



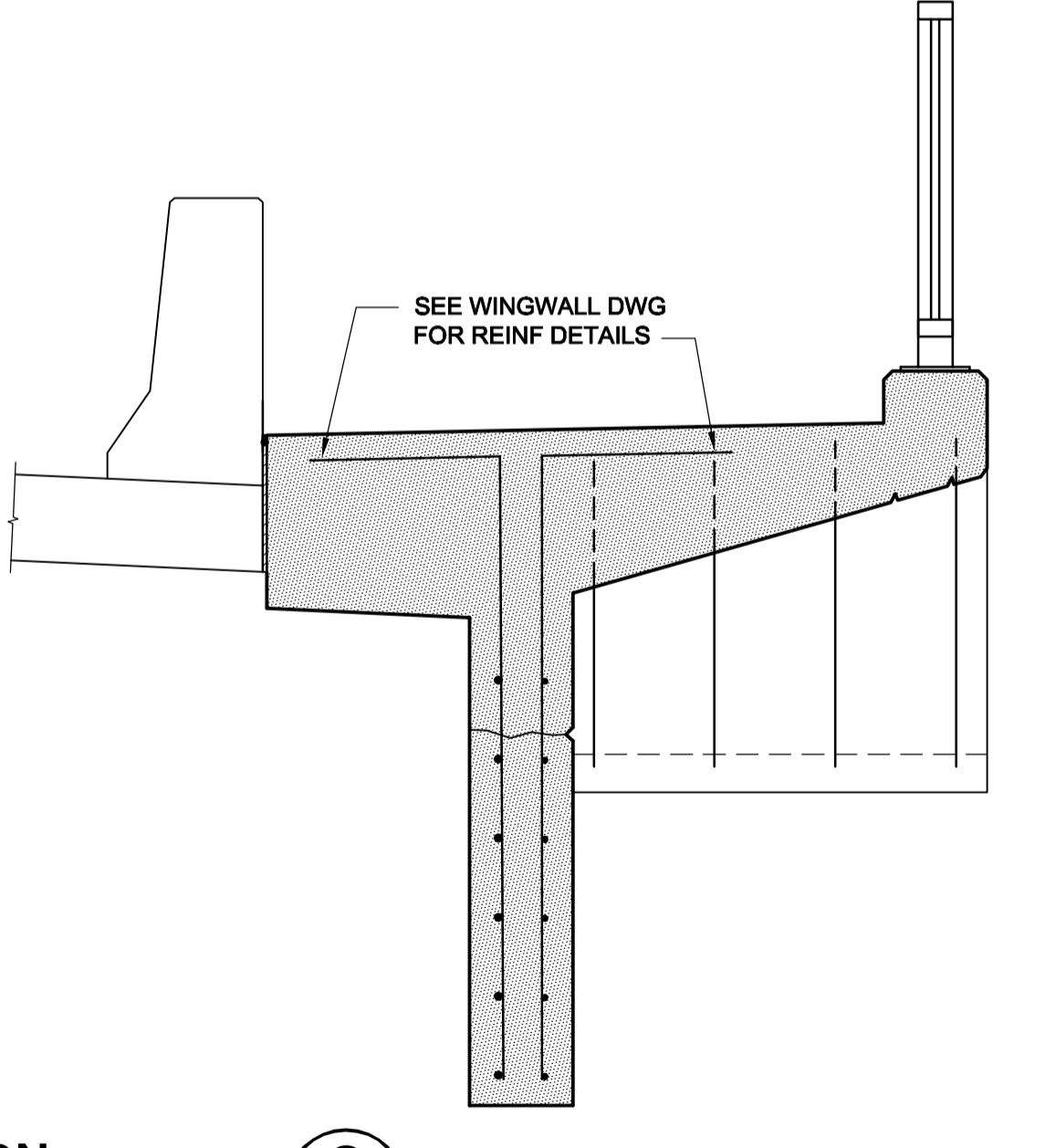
SECTION D
WINGWALL (NW)
INSIDE FACE
SCALE 1:20



ELEVATION E
WINGWALL (NW)
OUTSIDE FACE
SCALE 1:20

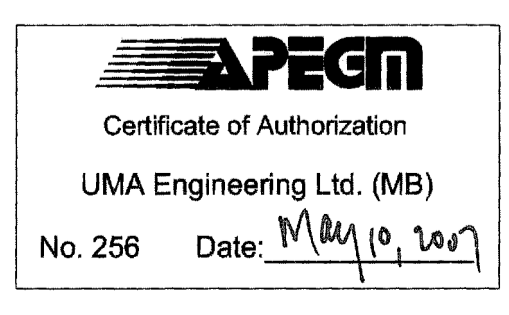


SECTION F
SCALE 1:20

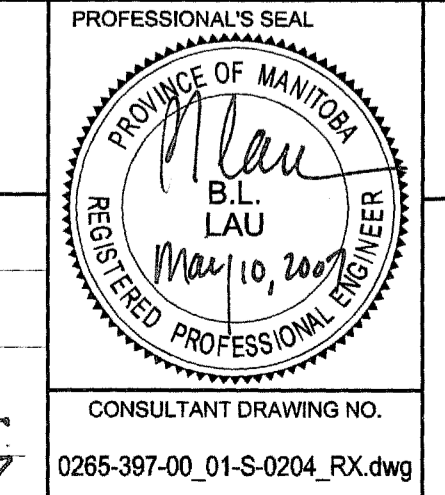


SECTION G
SCALE 1:20

METRIC
WHOLE NUMBERS INDICATE MILLIMETRES
DECIMALIZED NUMBERS INDICATE METRES



BM 46-912 ELEV 238.149m	UMA AECOM	
© 2007 UMA ENGINEERING LTD. ALL RIGHTS RESERVED.		
DESIGNED BY: BLL	CHECKED BY: SBB	
DRAWN BY: EDM	APPROVED BY: BWS	
HOR. SCALE: AS NOTED	RELEASED FOR CONSTRUCTION: [Signature]	
VERT. SCALE: AS NOTED	DATE: Aug 19/07	
ISSUED FOR CONSTRUCTION: 07/05/10	DJH	
NO. REVISIONS: YYMMDD	BY:	



THE CITY OF WINNIPEG
PUBLIC WORKS DEPARTMENT
TRANSPORTATION ENGINEERING DIVISION

HAMILTON AVENUE BRIDGE REHABILITATION
WEST ABUTMENT REINFORCING DETAILS

CITY DRAWING NUMBER: B133-07-08
SHEET 8 OF 30
DRAWING No. 08
REV 0

BID OPPORTUNITY NO. 349-2007