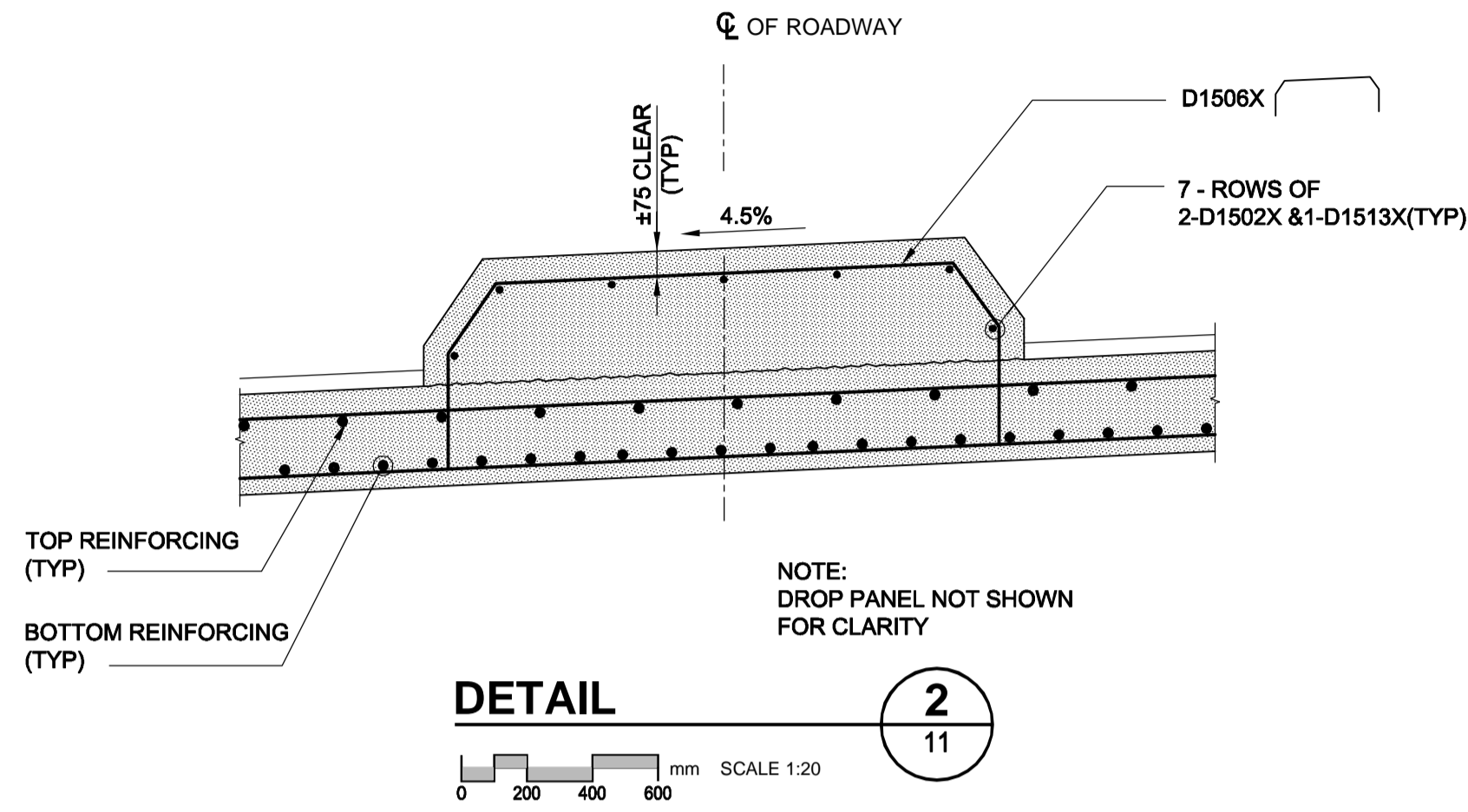
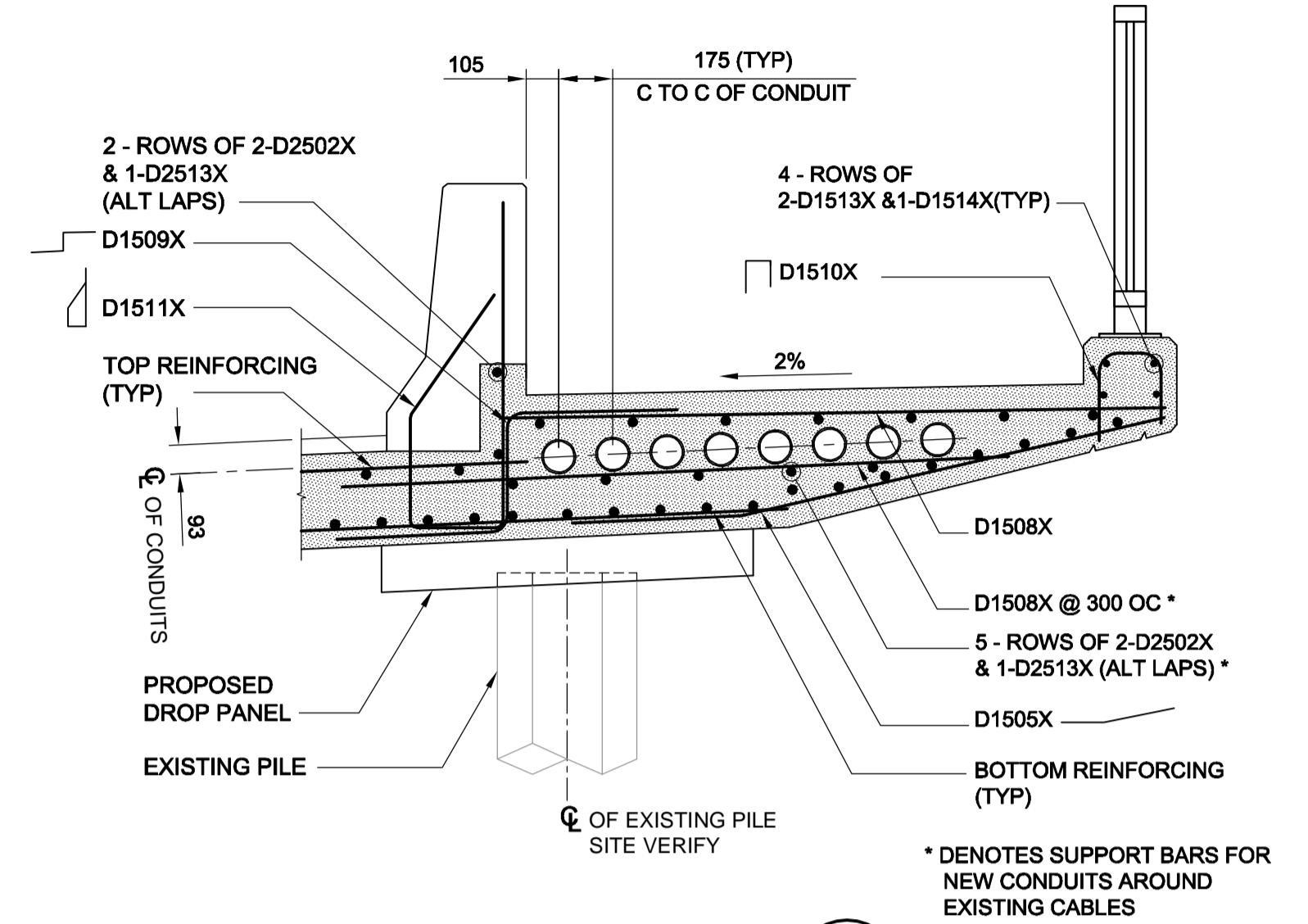


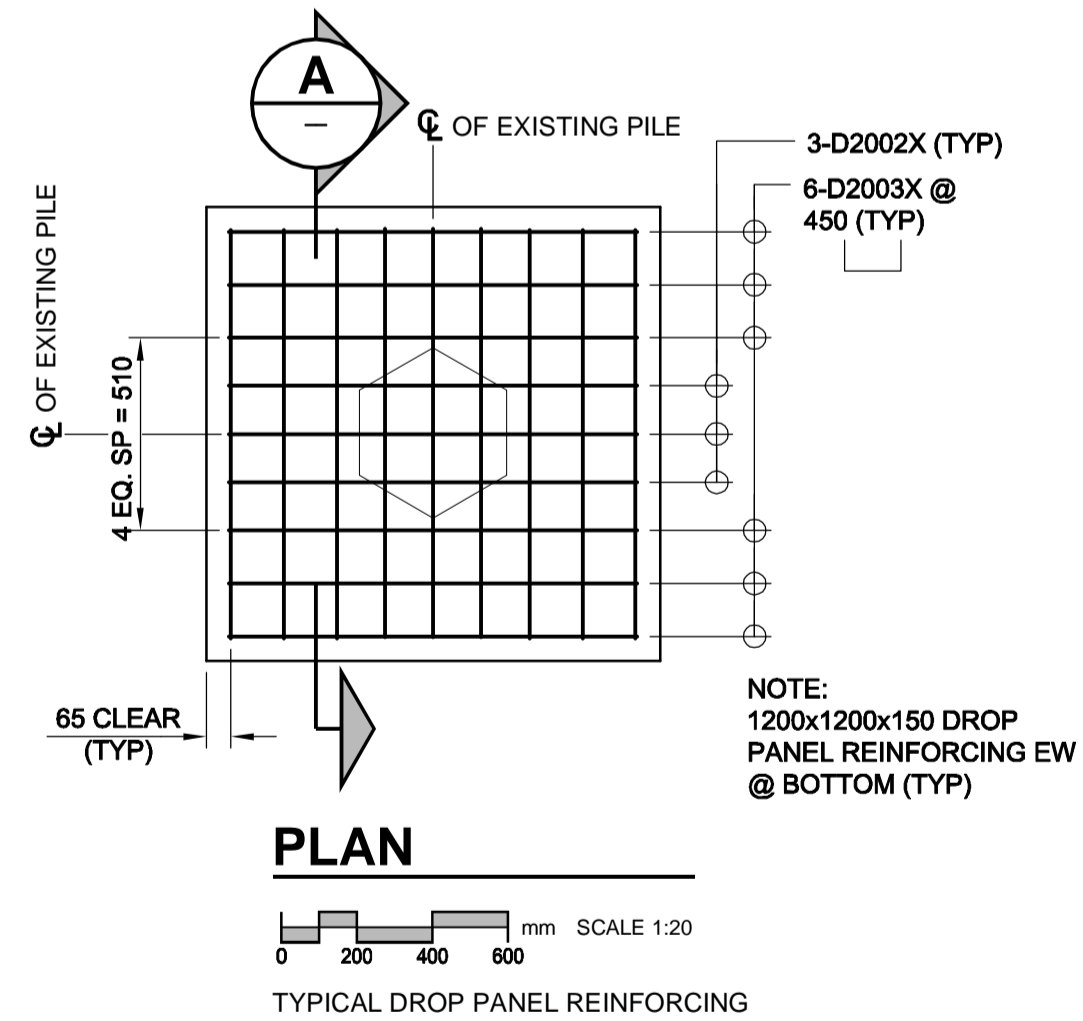
DETAIL 1
SCALE 1:20



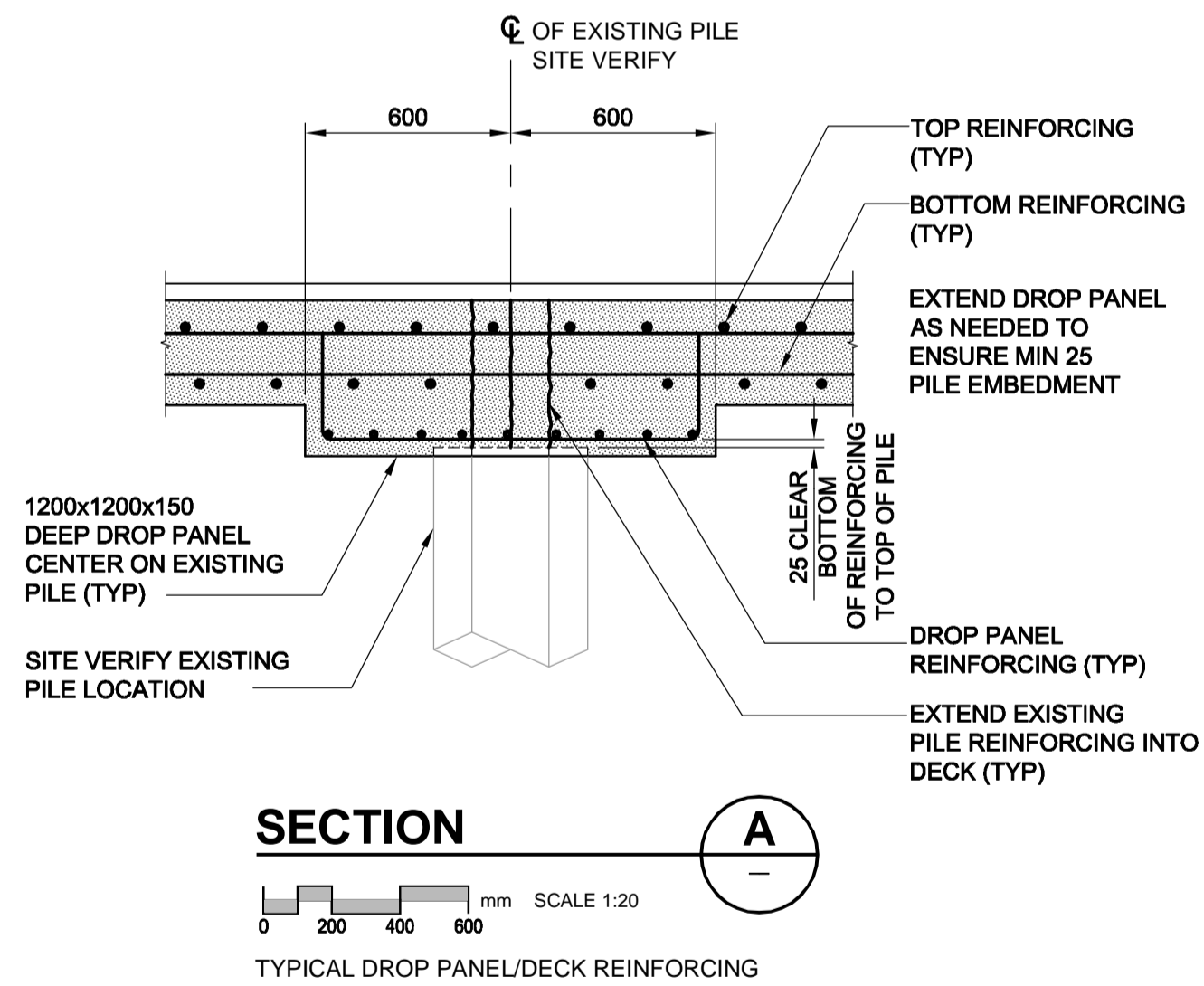
DETAIL 2
SCALE 1:20



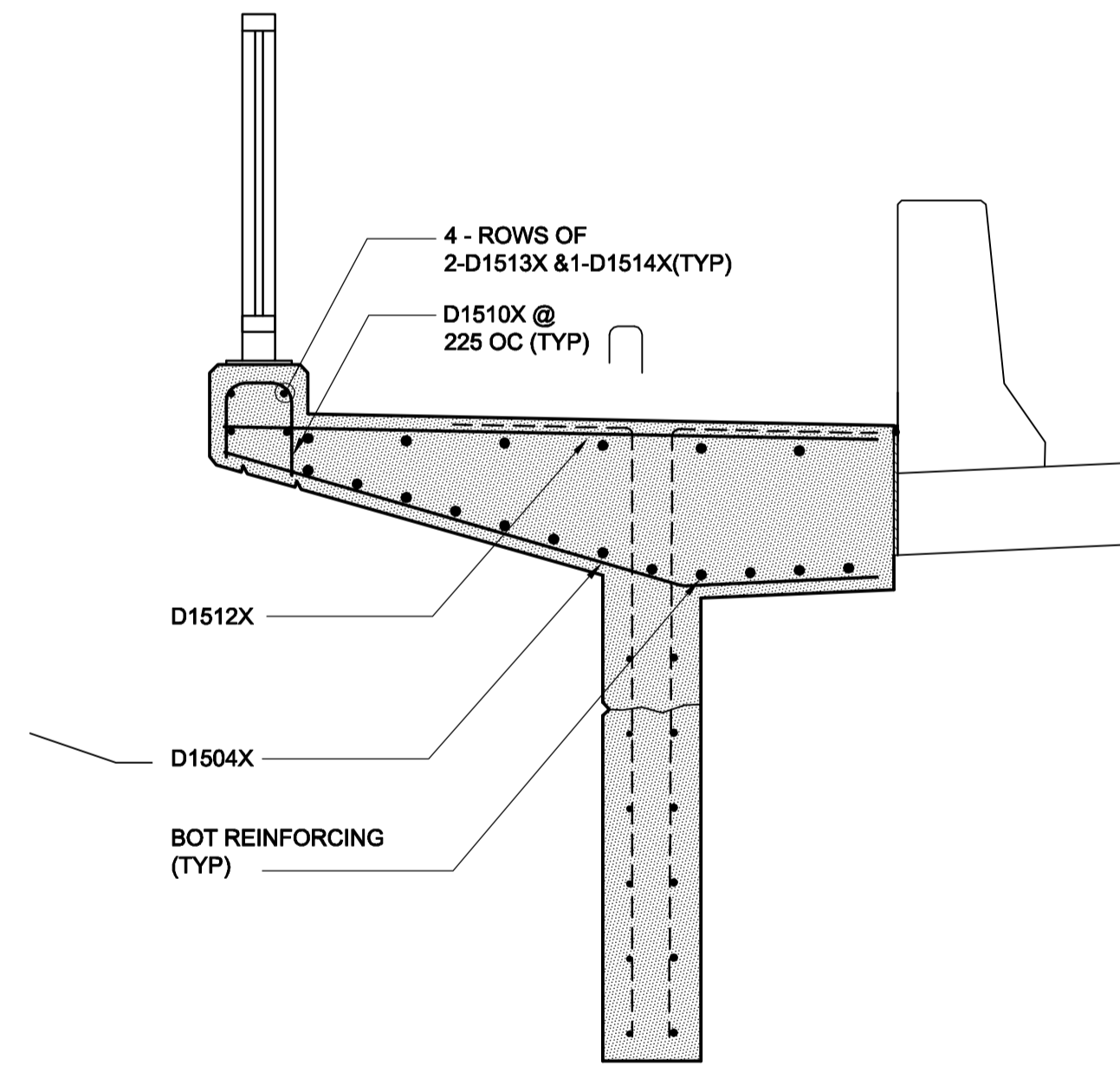
DETAIL 3
SCALE 1:20
SEE PLAN FOR DROP PANEL DETAILS AND REINFORCING LAYOUT



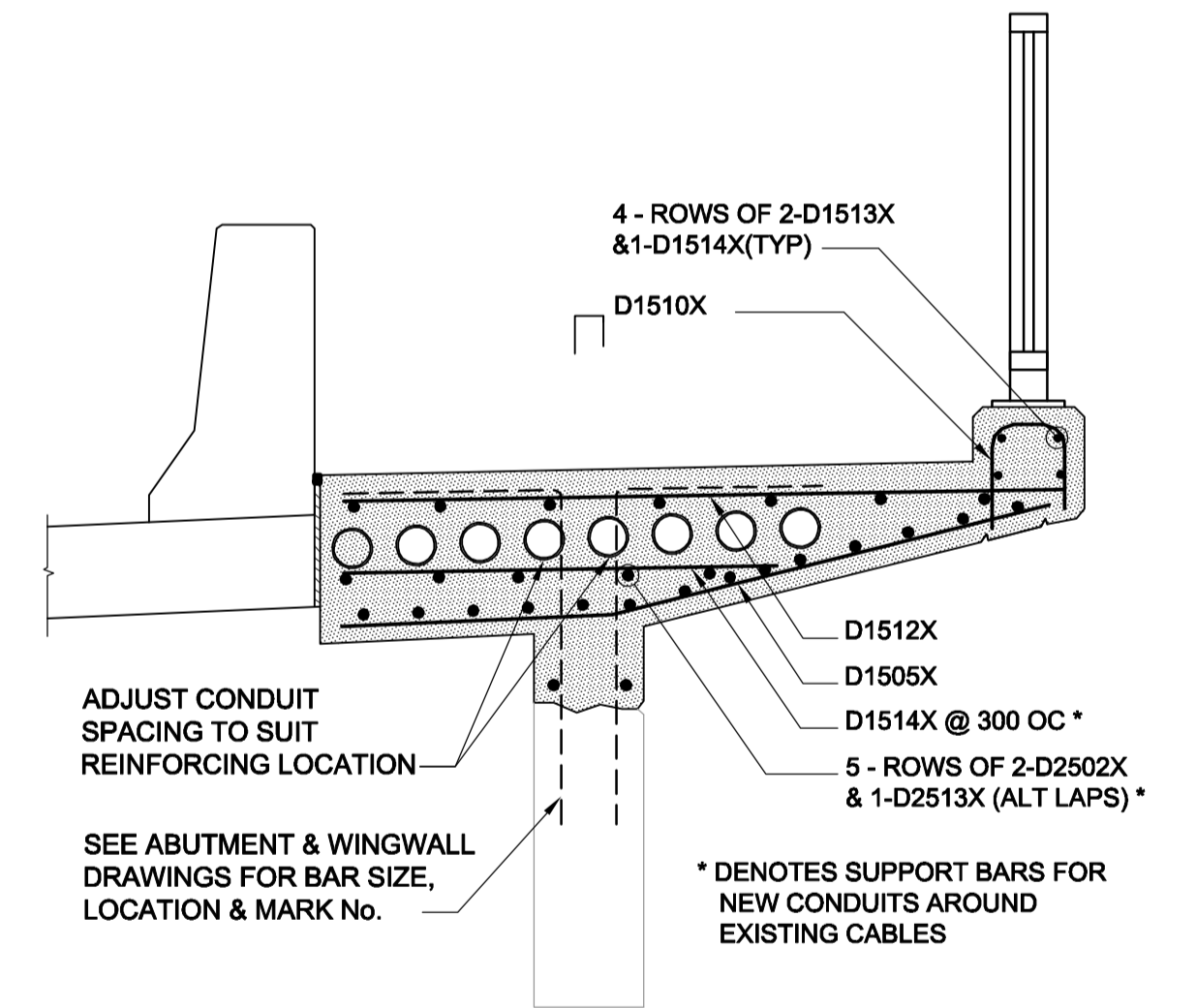
PLAN
SCALE 1:20
TYPICAL DROP PANEL REINFORCING



SECTION A
SCALE 1:20
TYPICAL DROP PANEL/DECK REINFORCING



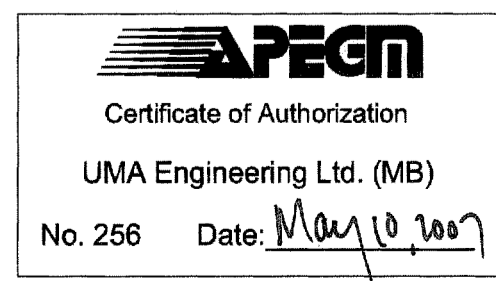
DETAIL C
SCALE 1:20
SEE PLAN FOR DROP PANEL DETAILS AND REINFORCING LAYOUT



DETAIL D
SCALE 1:20
SEE PLAN FOR DROP PANEL DETAILS AND REINFORCING LAYOUT

- NOTES**
- DECK COVER SHALL BE 60 ON TOP AND 25 AT BOTTOM TO REINFORCING STEEL UNLESS NOTED OTHERWISE.
 - MINIMUM LAP LENGTH FOR 10M BARS = 400mm, 15M BARS = 550mm, 20M BARS = 670mm, 25M BARS = 860mm

METRIC
WHOLE NUMBERS INDICATE MILLIMETRES
DECIMALIZED NUMBERS INDICATE METRES



BM 40-012 ELEV 238.149m	UMA AECOM © 2007 UMA ENGINEERING LTD. ALL RIGHTS RESERVED.		PROFESSIONAL'S SEAL PROVINCE OF MANITOBA B.L. LAU REGISTERED PROFESSIONAL ENGINEER May 10, 2007
DESIGNED BY: BLL CHECKED BY: SBB DRAWN BY: MP APPROVED BY: BUB	HOR. SCALE: AS NOTED VERT. SCALE: AS NOTED		RELEASED FOR CONSTRUCTION DATE: 07/03/23
0 ISSUED FOR CONSTRUCTION NO. REVISIONS: YYMMDD BY: DJH	DATE: 07/03/23		CONSULTANT DRAWING NO. 0265-397-00_01-S-0503_RX.dwg

BID OPPORTUNITY NO. 349-2007

THE CITY OF WINNIPEG
 PUBLIC WORKS DEPARTMENT
 TRANSPORTATION ENGINEERING DIVISION

HAMILTON AVENUE BRIDGE
 REHABILITATION
 DECK SLAB REINFORCING
 DETAILS II

CITY DRAWING NUMBER B133-07-12	SHEET 12 OF 30
DRAWING No. 12	REV 0