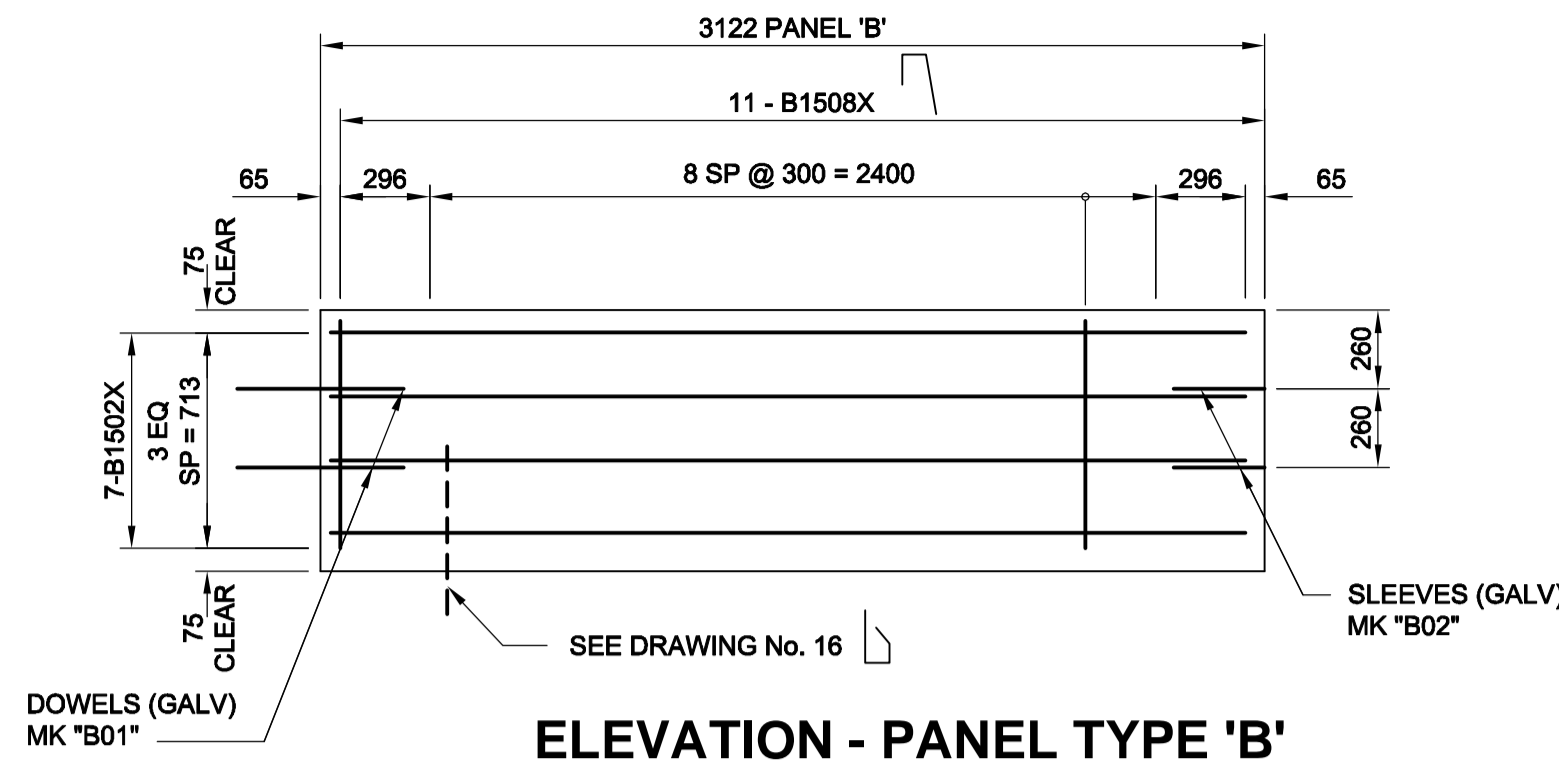


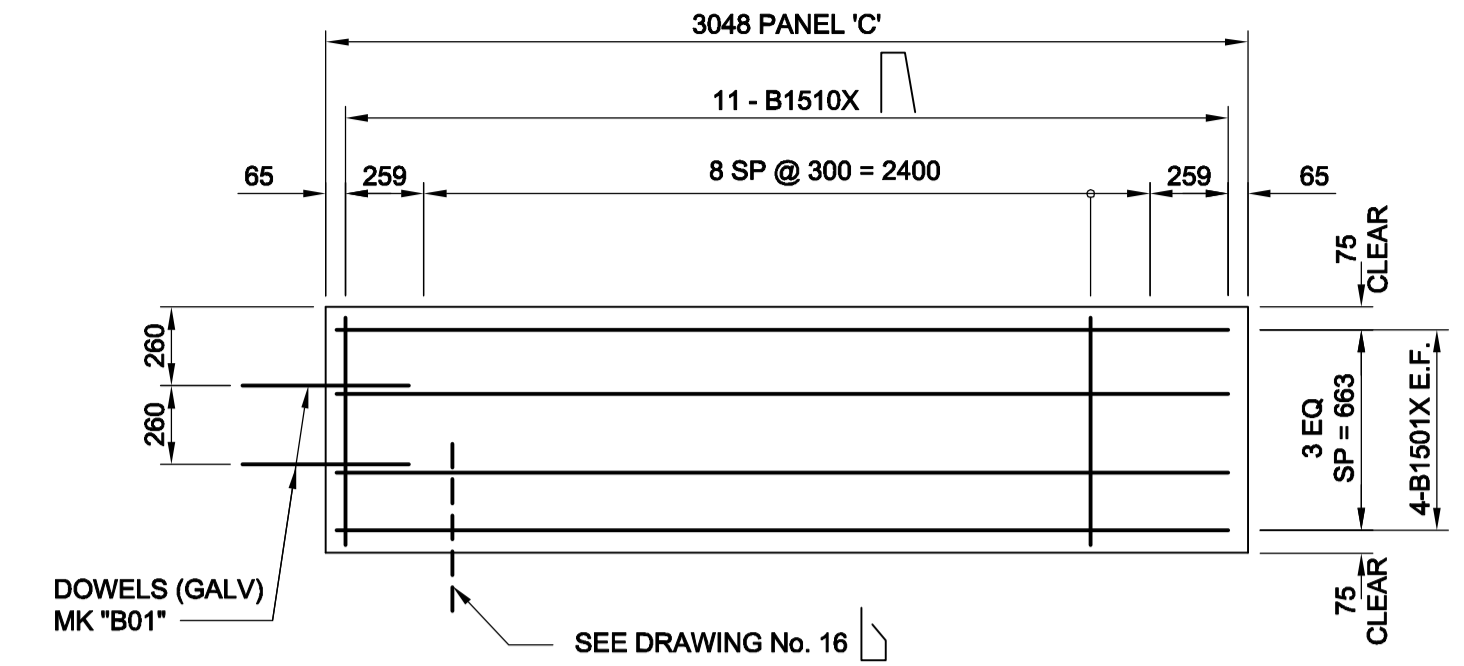
ELEVATION - PANEL TYPE 'A'

0 250 500 750 mm SCALE 1:25
 REINFORCING LAYOUT
 NORTH & SOUTH BARRIER



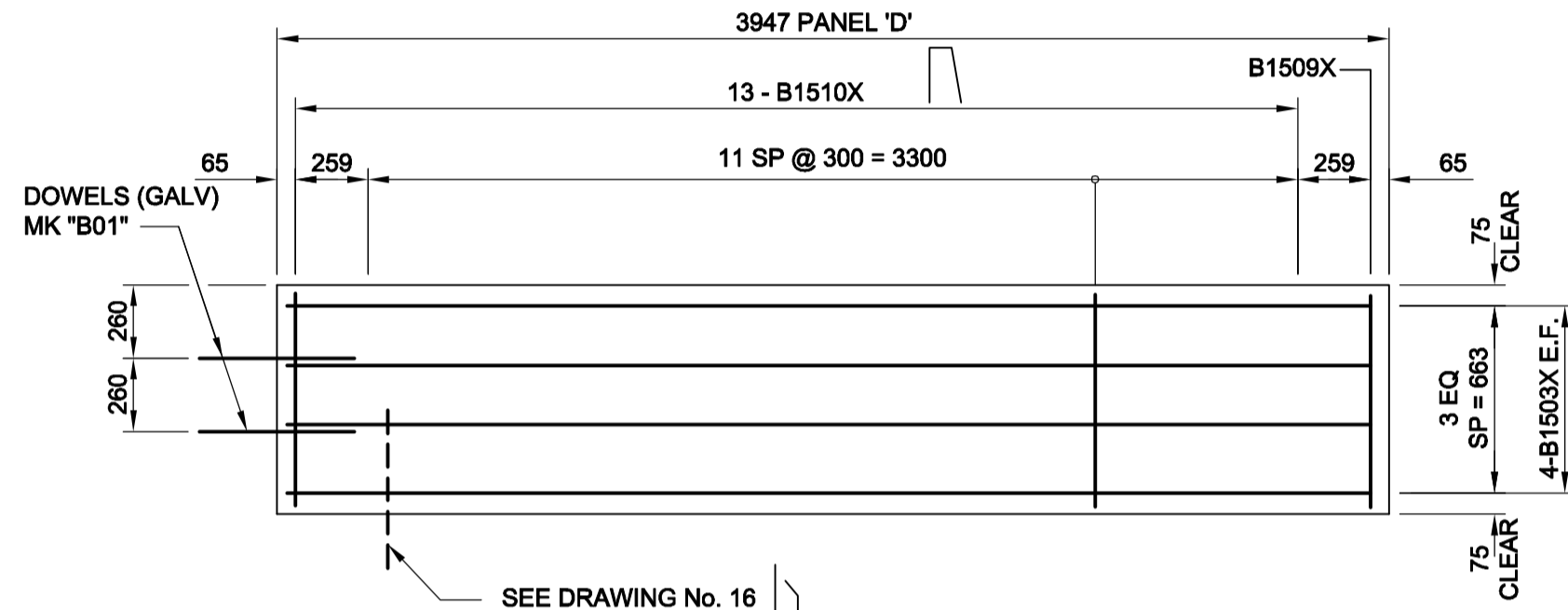
ELEVATION - PANEL TYPE 'B'

0 250 500 750 mm SCALE 1:25
 REINFORCING LAYOUT
 NORTH BARRIER



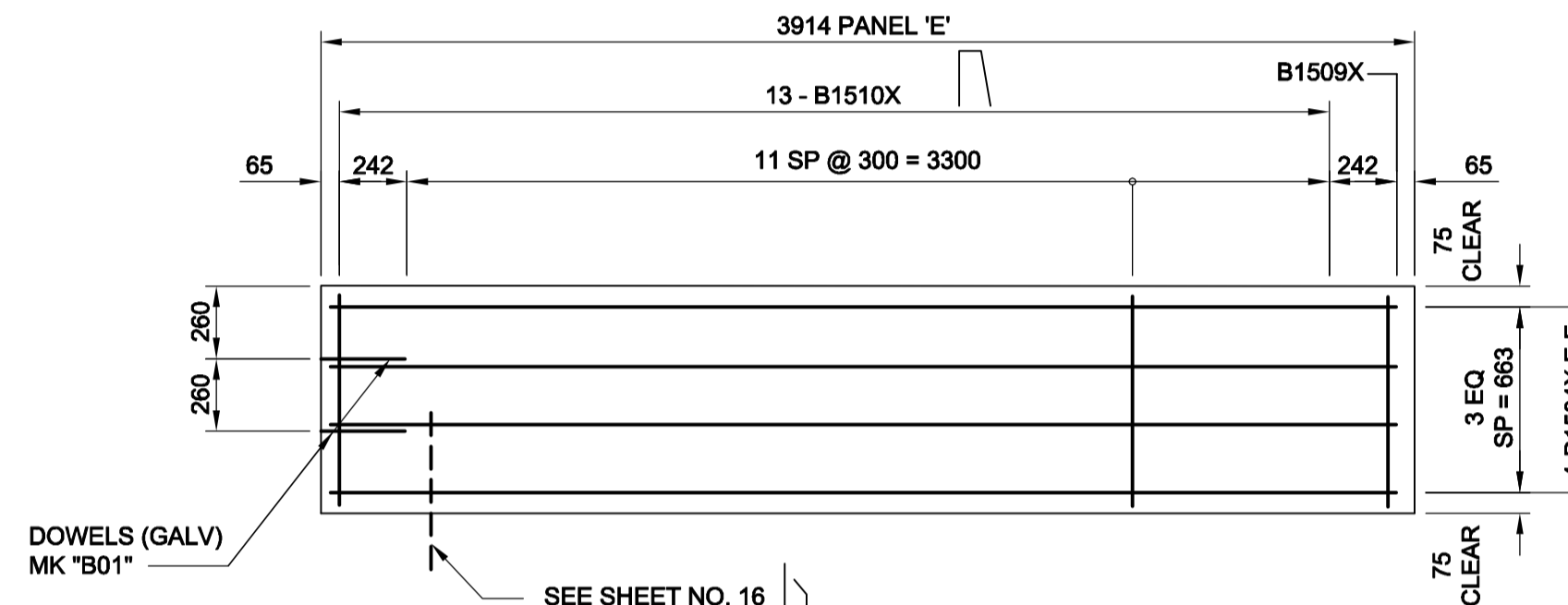
ELEVATION - PANEL TYPE 'C'

0 250 500 750 mm SCALE 1:25
 REINFORCING LAYOUT
 NORTH & SOUTH BARRIER



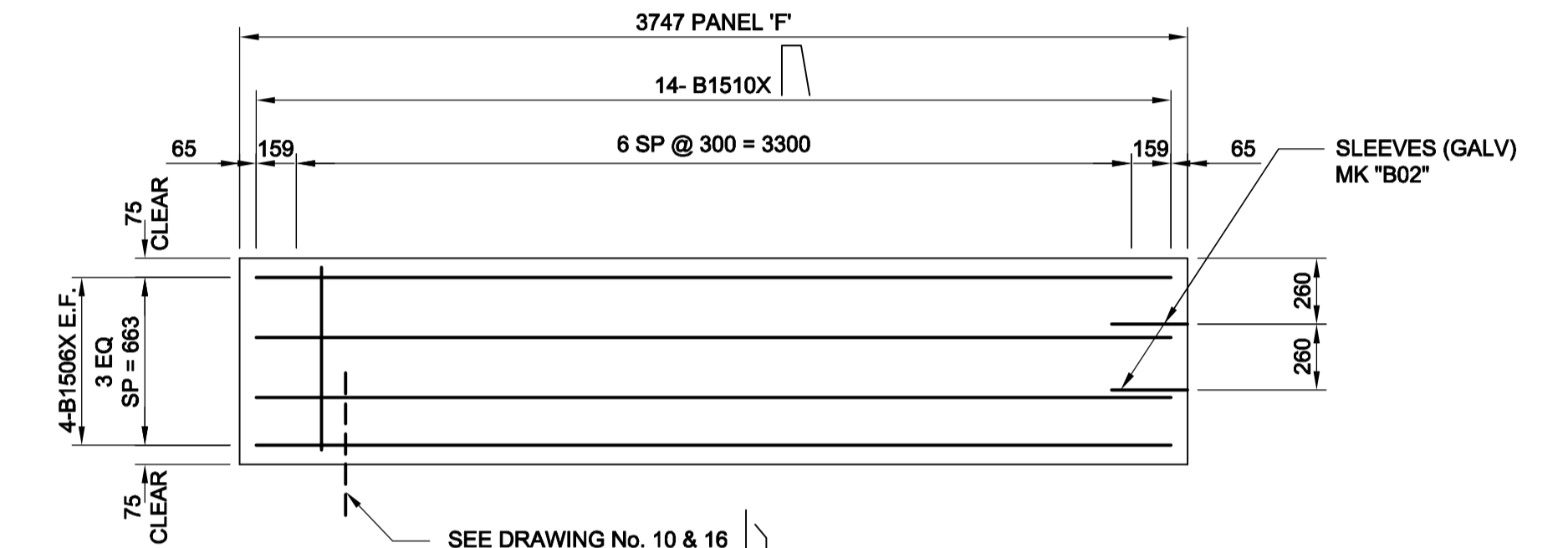
ELEVATION - PANEL TYPE 'D'

0 250 500 750 mm SCALE 1:25
 REINFORCING LAYOUT
 NORTH BARRIER



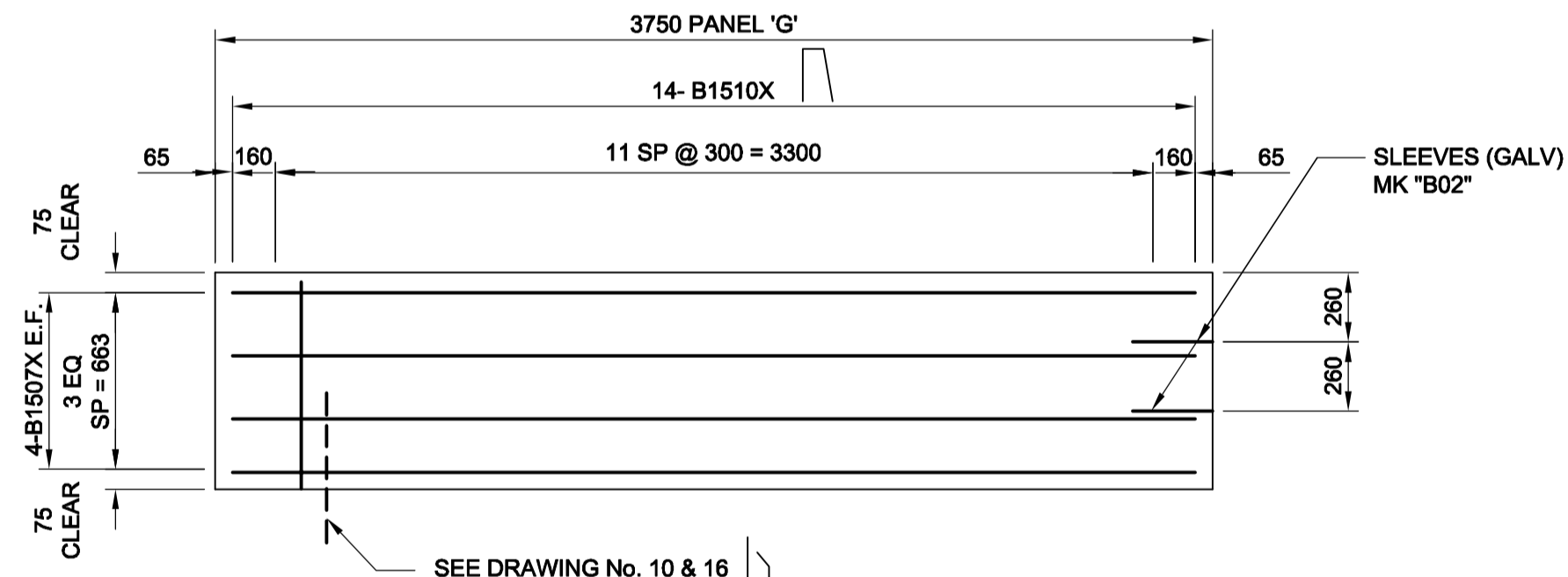
ELEVATION - PANEL TYPE 'E'

0 250 500 750 mm SCALE 1:25
 REINFORCING LAYOUT
 SOUTH BARRIER



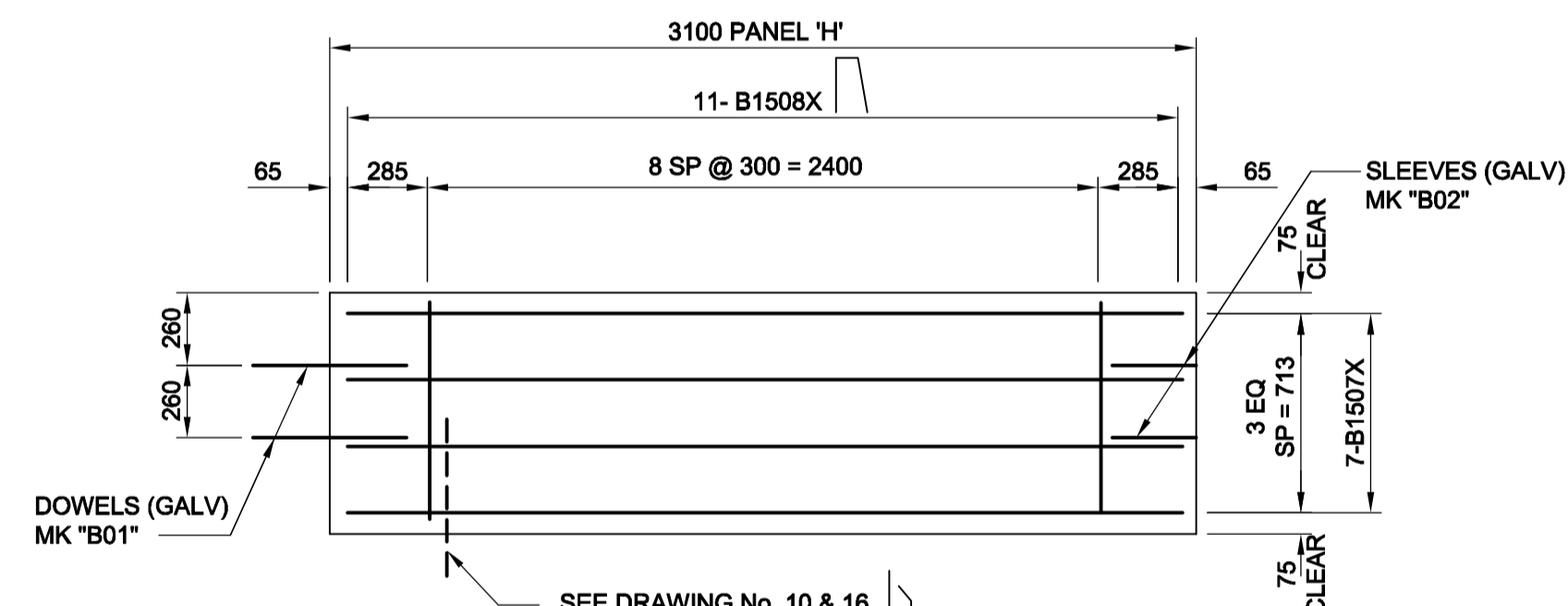
ELEVATION - PANEL TYPE 'F'

0 250 500 750 mm SCALE 1:25
 REINFORCING LAYOUT
 NORTH BARRIER



ELEVATION - PANEL TYPE 'G'

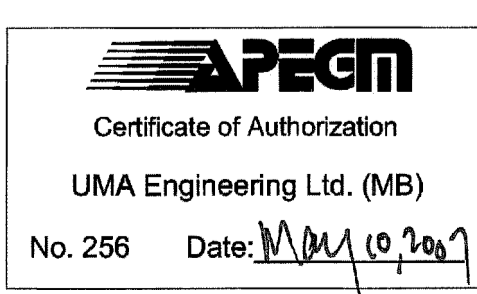
0 250 500 750 mm SCALE 1:25
 REINFORCING LAYOUT
 NORTH & SOUTH BARRIER



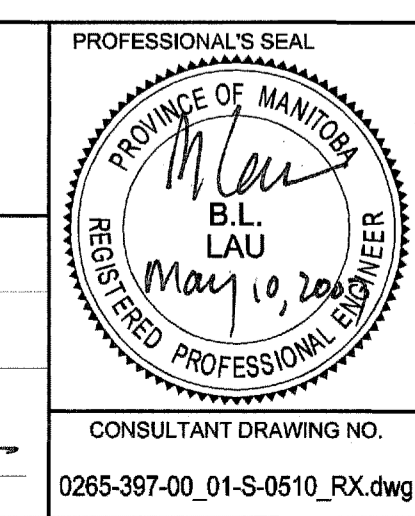
ELEVATION - PANEL TYPE 'H'

0 250 500 750 mm SCALE 1:25
 REINFORCING LAYOUT
 SOUTH BARRIER

METRIC
 WHOLE NUMBERS INDICATE MILLIMETRES
 DECIMALIZED NUMBERS INDICATE METRES



BM 40-012 ELEV 238.149m	UMA AECOM		PROFESSIONAL'S SEAL
	© 2007 UMA ENGINEERING LTD. ALL RIGHTS RESERVED		
	DESIGNED BY: BLL	CHECKED BY: SBB	
	DRAWN BY: CPK	APPROVED BY: BUB	
	HOR. SCALE: AS NOTED	RELEASED FOR CONSTRUCTION	
	VERT. SCALE: AS NOTED	DATE: 07/03/23	
NO. REVISIONS	YYMMDD	BY	



THE CITY OF WINNIPEG
 PUBLIC WORKS DEPARTMENT
 TRANSPORTATION ENGINEERING DIVISION

**HAMILTON AVENUE BRIDGE
 REHABILITATION
 BARRIER CONCRETE AND
 REINFORCING DETAILS II**

CITY DRAWING NUMBER: B133-07-14
 SHEET 14 OF 30
 DRAWING No. 14
 REV 0

HAMILTON AVENUE BRIDGE REHABILITATION
 BARRIER CONCRETE AND REINFORCING DETAILS II

CONSULTANT DRAWING NO. 0265-397-00_01-S-0510_RX.dwg