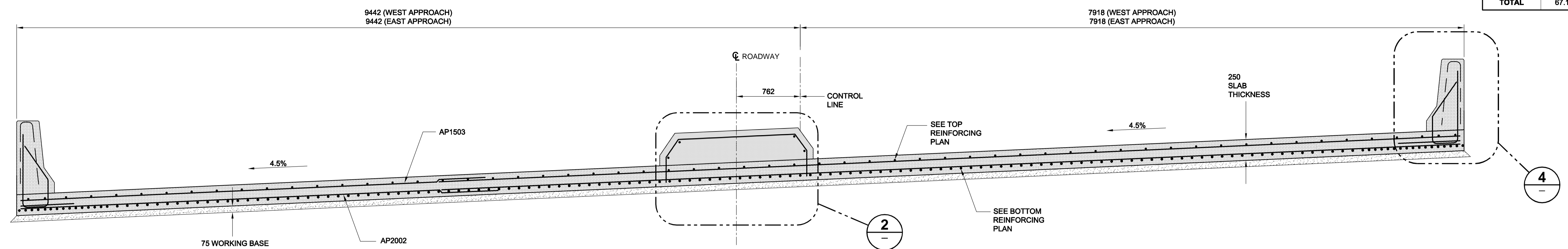


A1 SIZE 23.4" x 33.1" (594mm x 841mm)

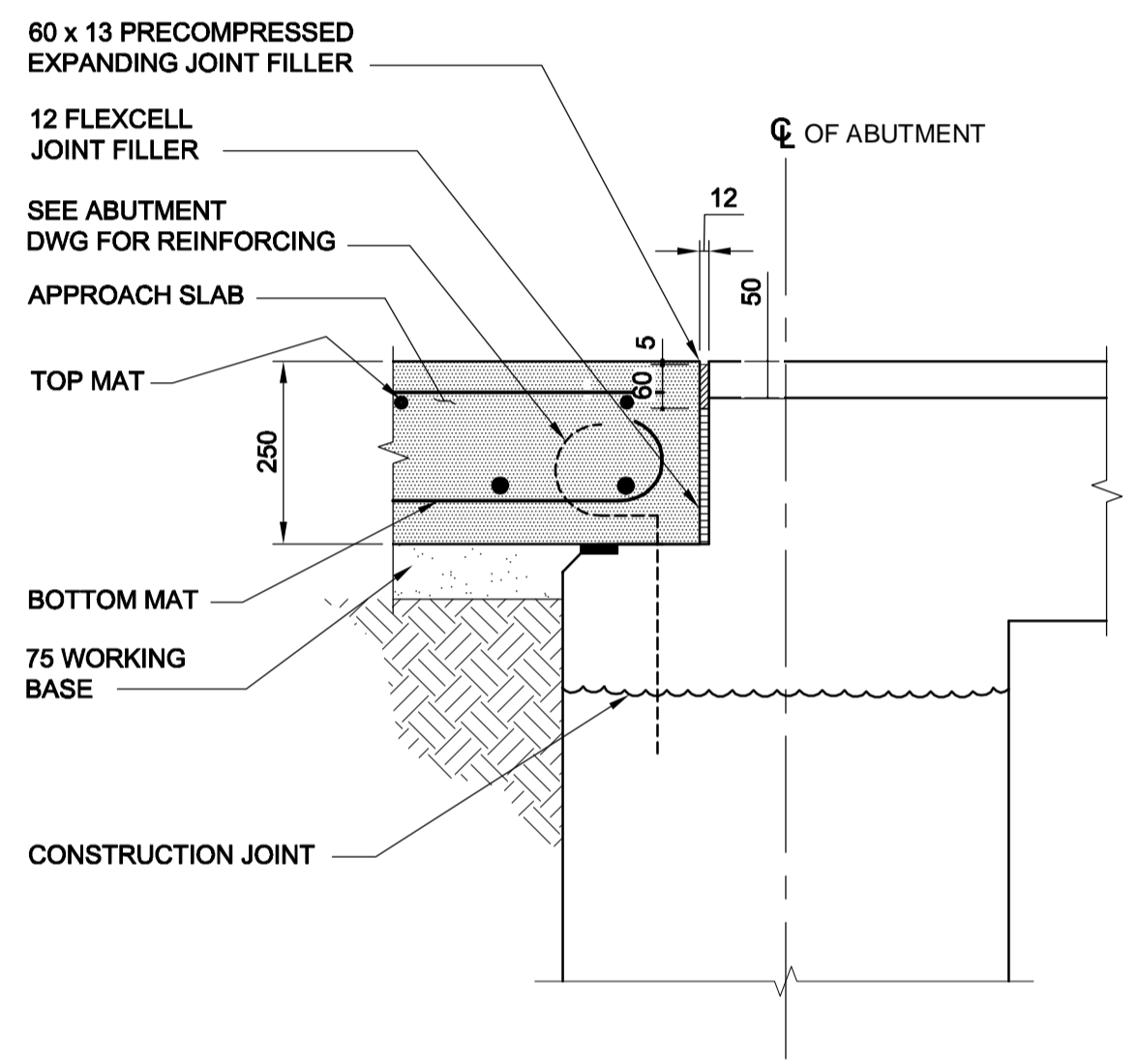
PLOT: 07/05/10 1:08:45 PM

UMA FILE NAME: 0265-397-00\_01-S-0702\_RX.dwg Saved By: mayugbae

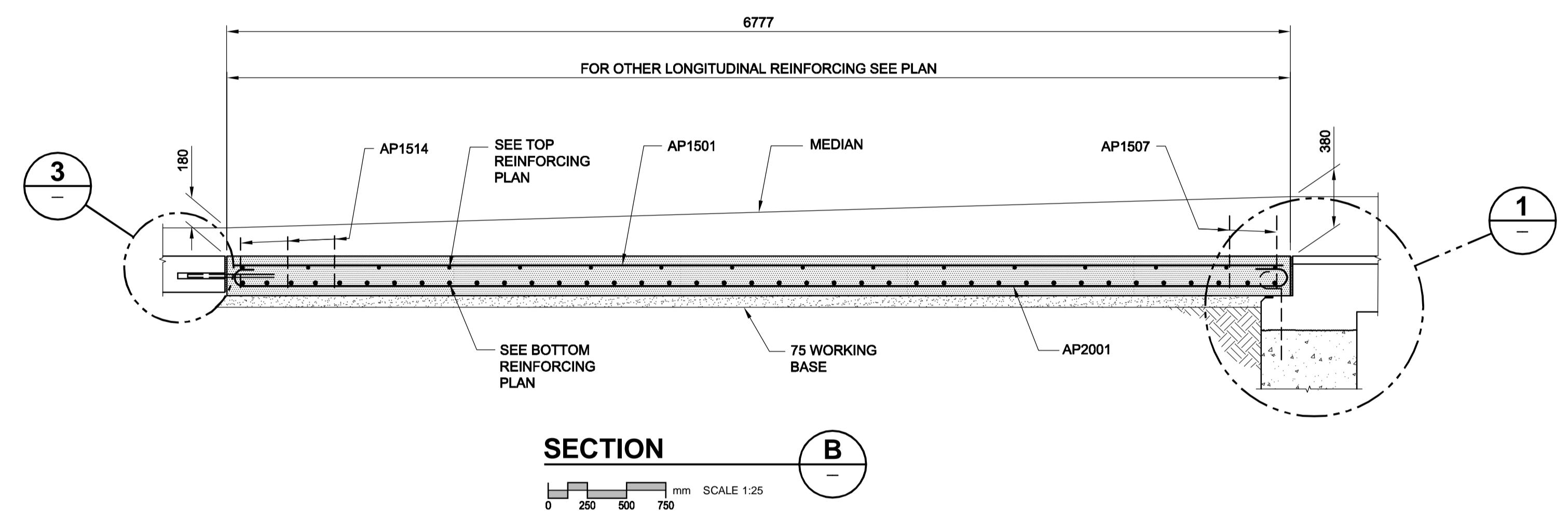
BILL OF MISCELLANEOUS METAL FOR EAST & WEST APPROACH				
MARK	QTY	DESCRIPTION	COMPONENT MASS	TOTAL MASS
AP01	146	EXPANSION SLEEVE 48 OD x 275 LG (GALV)	.46	67.16
<b>TOTAL</b>			<b>67.16 kg</b>	



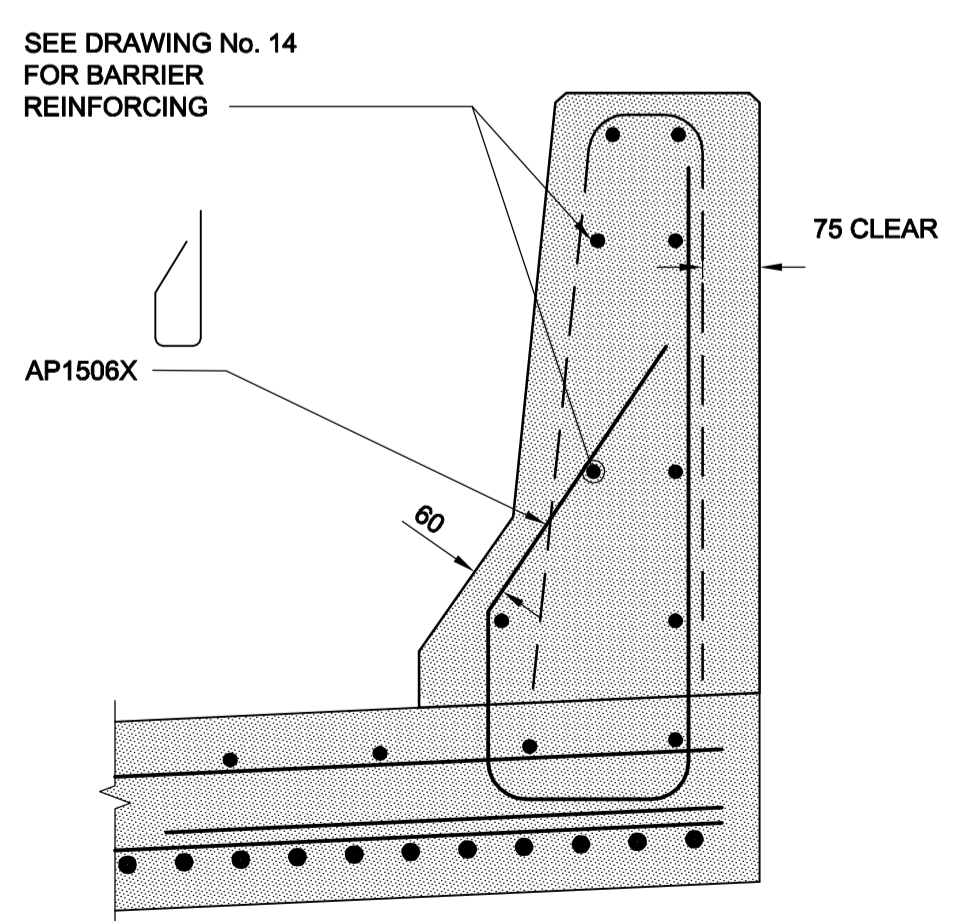
**SECTION A**  
SCALE 1:25



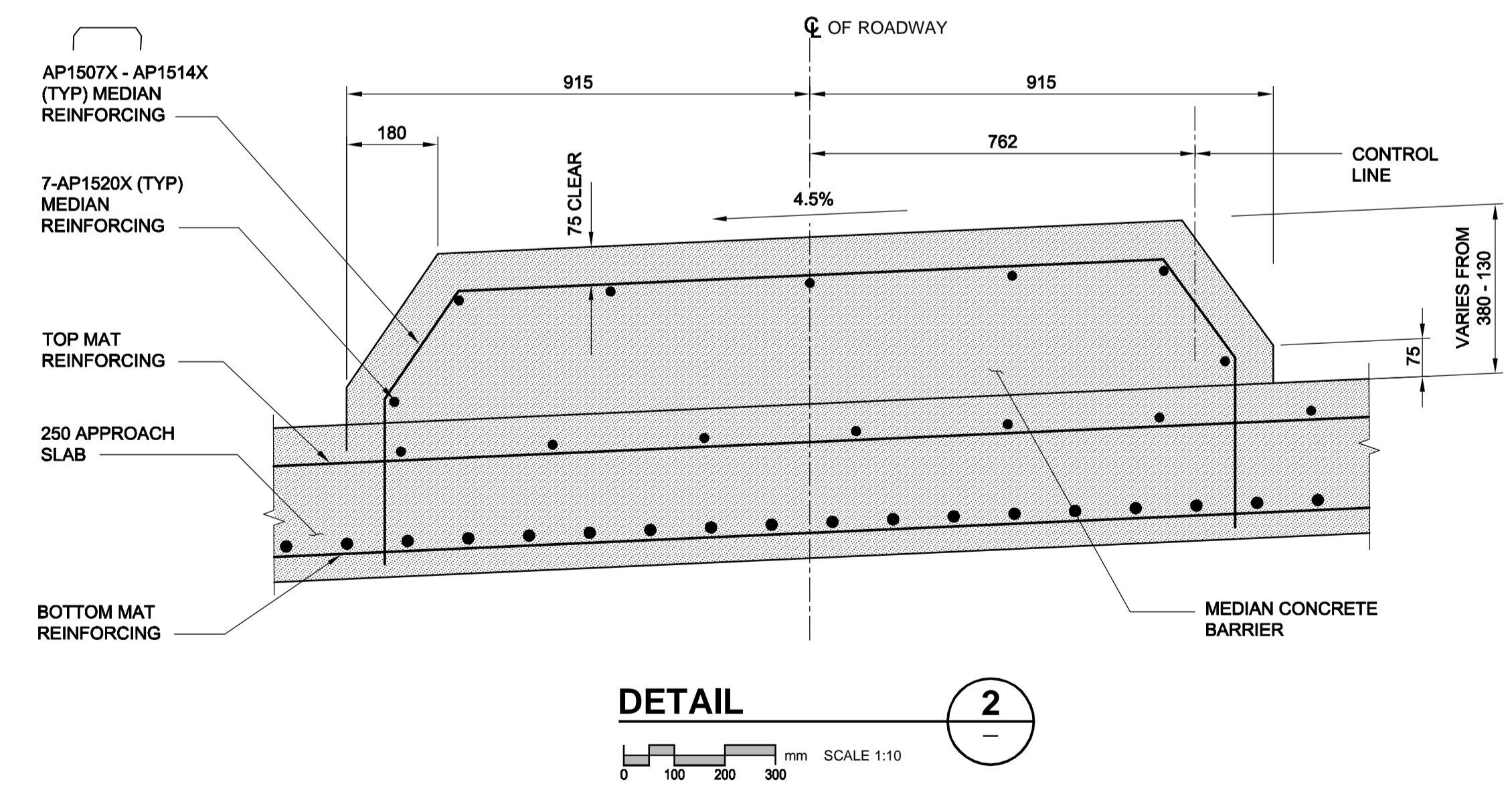
**DETAIL 1**  
SCALE 1:10



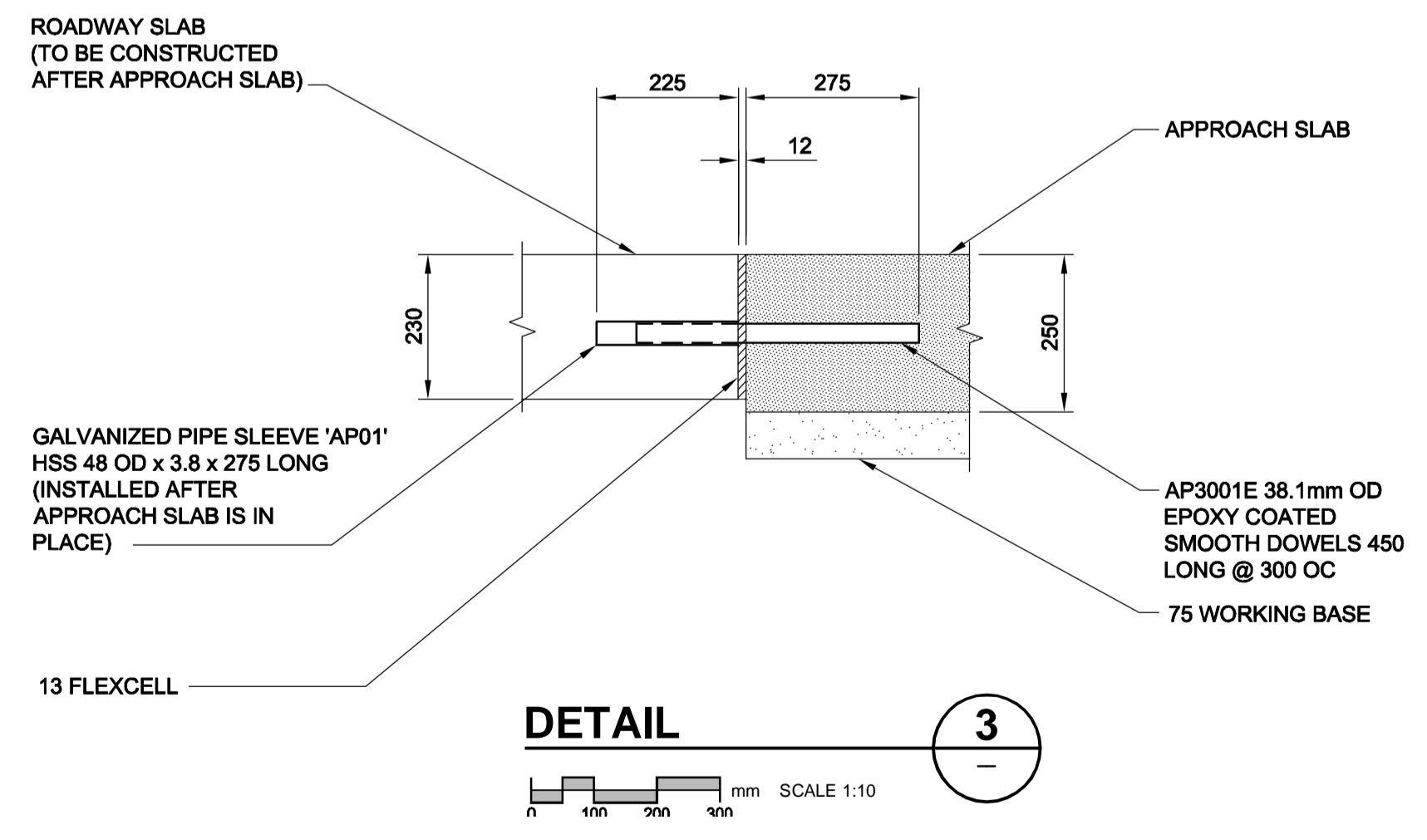
**SECTION B**  
SCALE 1:25



**DETAIL 4**  
SCALE 1:10



**DETAIL 2**  
SCALE 1:10



**DETAIL 3**  
SCALE 1:10

**METRIC**  
WHOLE NUMBERS INDICATE MILLIMETRES  
DECIMALIZED NUMBERS INDICATE METRES

**APEGM**  
Certificate of Authorization  
UMA Engineering Ltd. (MB)  
No. 256 Date: *May 10, 2007*

BM 40-012 ELEV 238.149m	UMA   AECOM		PROFESSIONAL'S SEAL
	© 2007 UMA ENGINEERING LTD. ALL RIGHTS RESERVED.		PROVINCE OF MANITOBA B.L. LAU MAY 10 2007 REGISTERED PROFESSIONAL ENGINEER
	DESIGNED BY: BLL	CHECKED BY: SBB	CONSULTANT DRAWING NO. 0265-397-00_01-S-0702_RX.dwg
	DRAWN BY: CPK	APPROVED BY: <i>BLL</i>	
	HOR. SCALE: AS NOTED	RELEASED FOR CONSTRUCTION	
	VERT. SCALE: AS NOTED	DATE: 07/03/23	
NO. REVISIONS	YYMMDD	BY	

**THE CITY OF WINNIPEG**  
PUBLIC WORKS DEPARTMENT  
TRANSPORTATION ENGINEERING DIVISION

**HAMILTON AVENUE BRIDGE REHABILITATION**  
APPROACH SLAB CONCRETE AND REINFORCING DETAILS II

CITY DRAWING NUMBER: B133-07-18  
SHEET 18 OF 30  
DRAWING No. 18  
REV 0

BID OPPORTUNITY NO. 349-2007