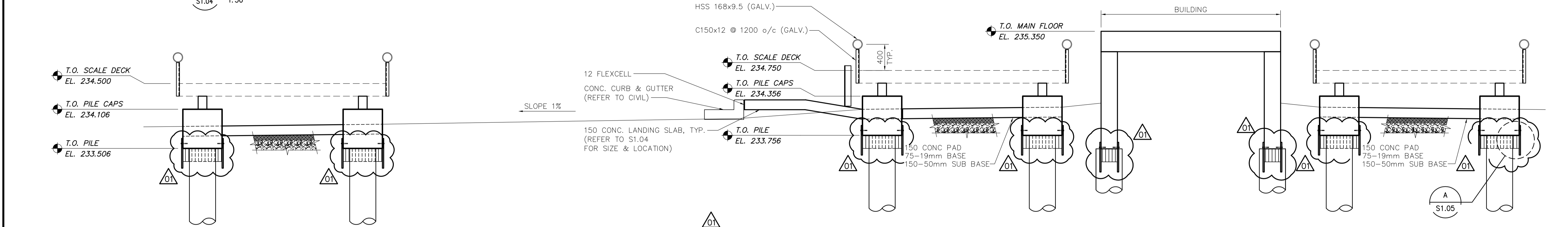
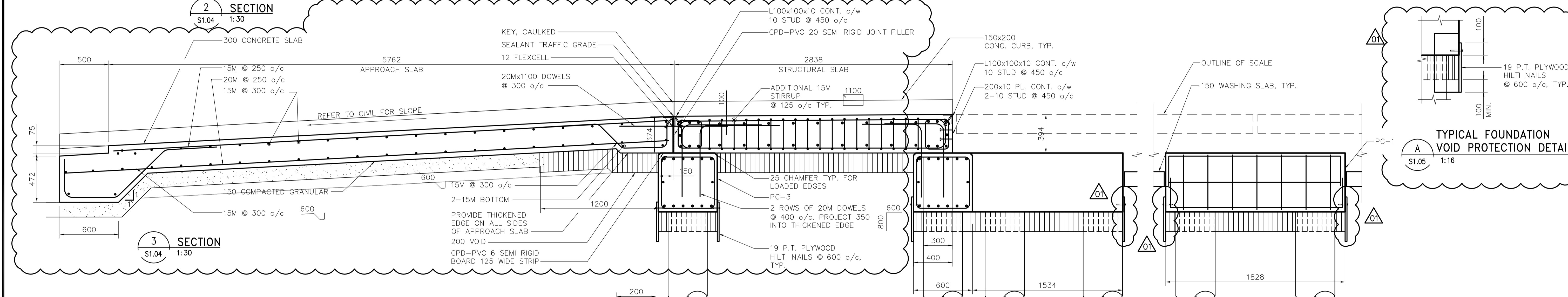


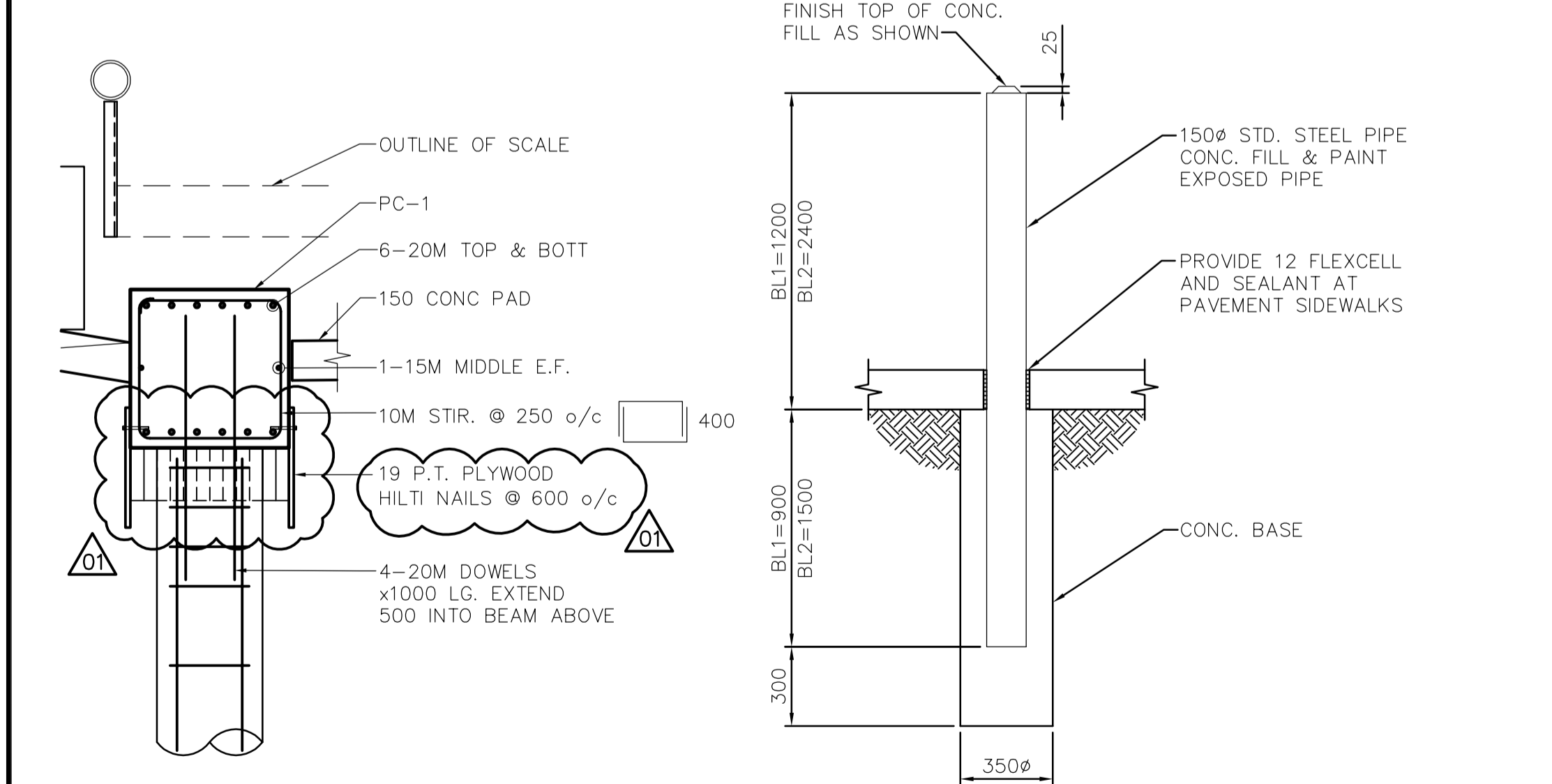
1 SECTION
S1.04 1:50



2 SECTION
S1.04 1:30

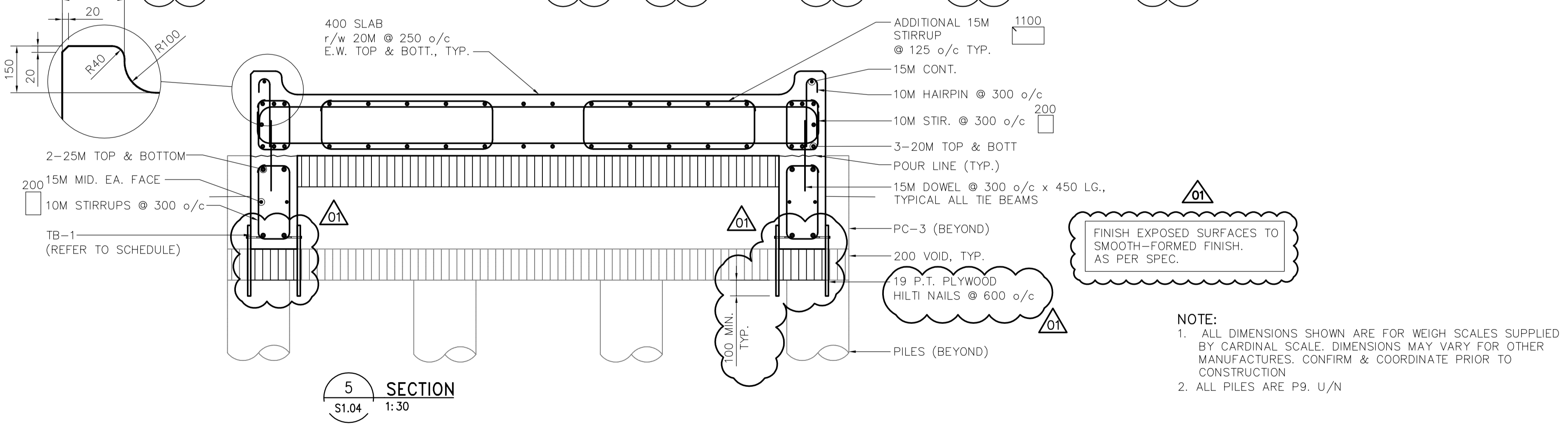


3 SECTION
S1.04 1:30



4 SECTION
S1.04 1:20

TYP. EXTERIOR BOLLARD
SCALE 1:20



5 SECTION
S1.04 1:30

<p>APEGM Certificate of Authorization Earth Tech Canada Inc. No. 730</p>	B.M. ELEV.	Frederickson Cooper ARCHITECTS	EarthTech A Tyco International Ltd. Company	ENGINEER'S SEAL	<p>THE CITY OF WINNIPEG WATER AND WASTE DEPARTMENT SOLID WASTE SERVICES DIVISION</p>
	DESIGNED BY LLR/GGP	CHECKED BY GGP	ORIGINAL SIGNED BY M. KLASSEN	<p>BRADY RD. LANDFILL NEW ENTRANCE AND SCALE FACILITY</p>	
	DRAWN BY KK	APPROVED BY TGS	2007/07/20		
	SCALE: AS NOTED	RELEASED FOR CONSTRUCTION BY: V. JEANCART	CONSULTANT DRAWING NO. S1.05	SHEET OF	
NO. REVISIONS	DATE BY	DATE 2006/07/24	DATE 2007/07/20	STRUCTURAL TRUCK SCALE SECTIONS STANDARD DETAILS	SMD-D-383