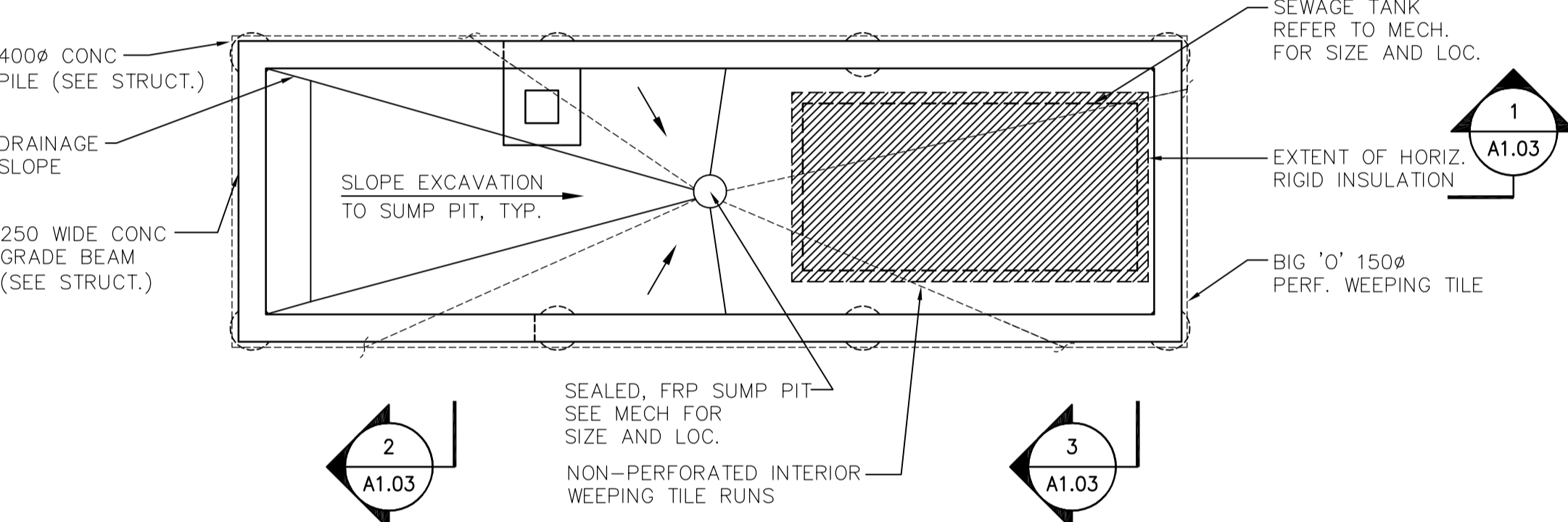
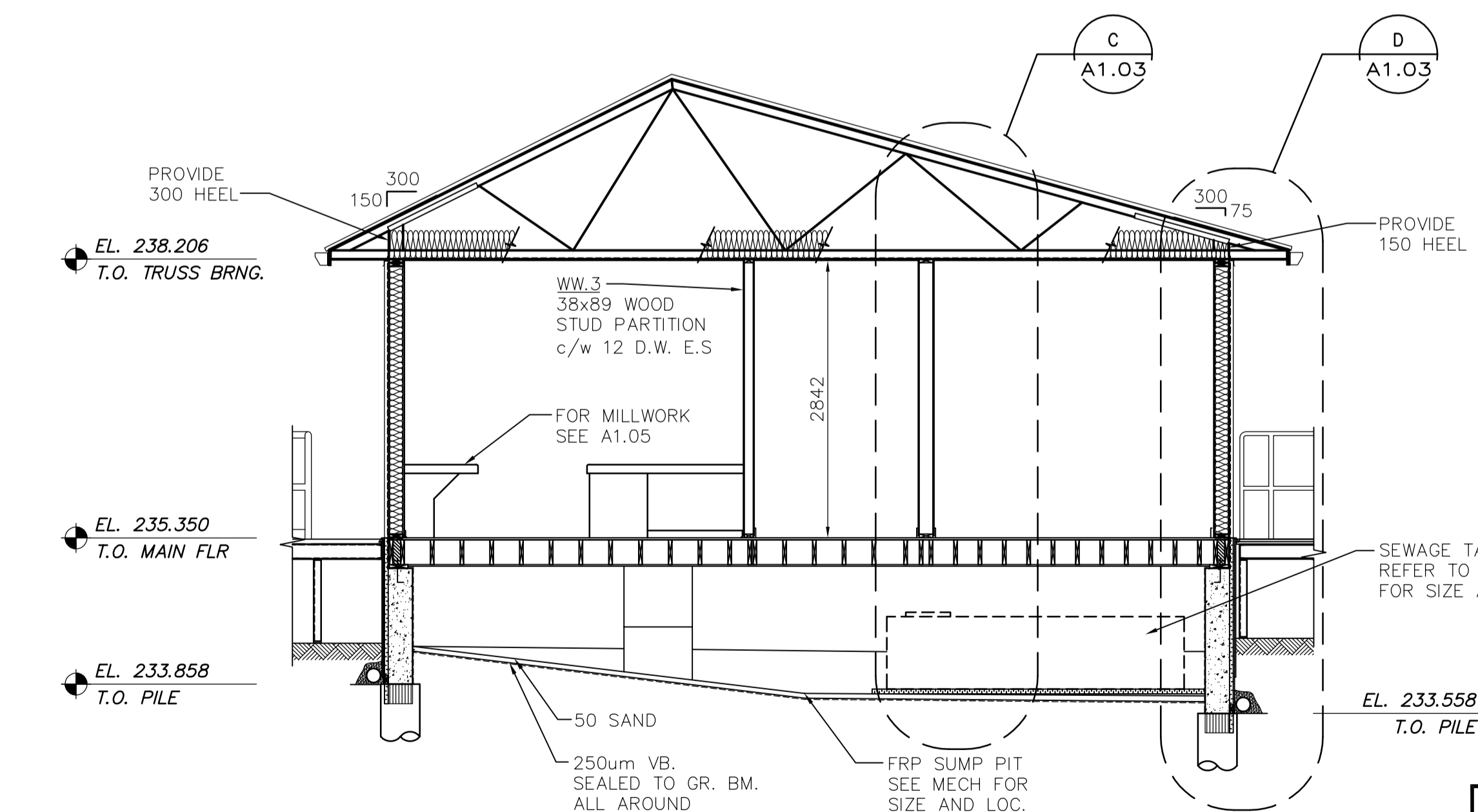


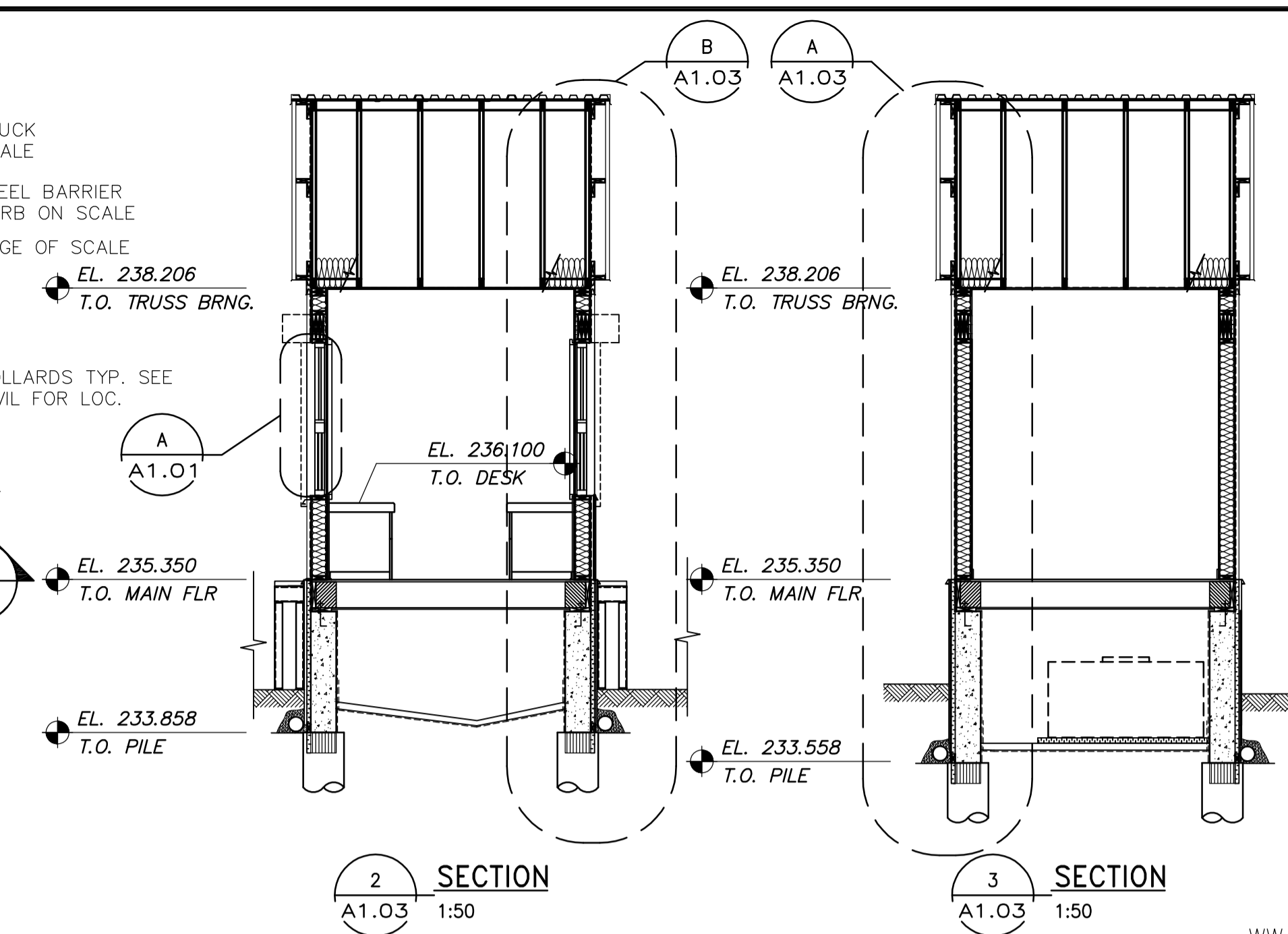
MAIN FLOOR PLAN
1:50



CRAWL SPACE PLAN
1:50

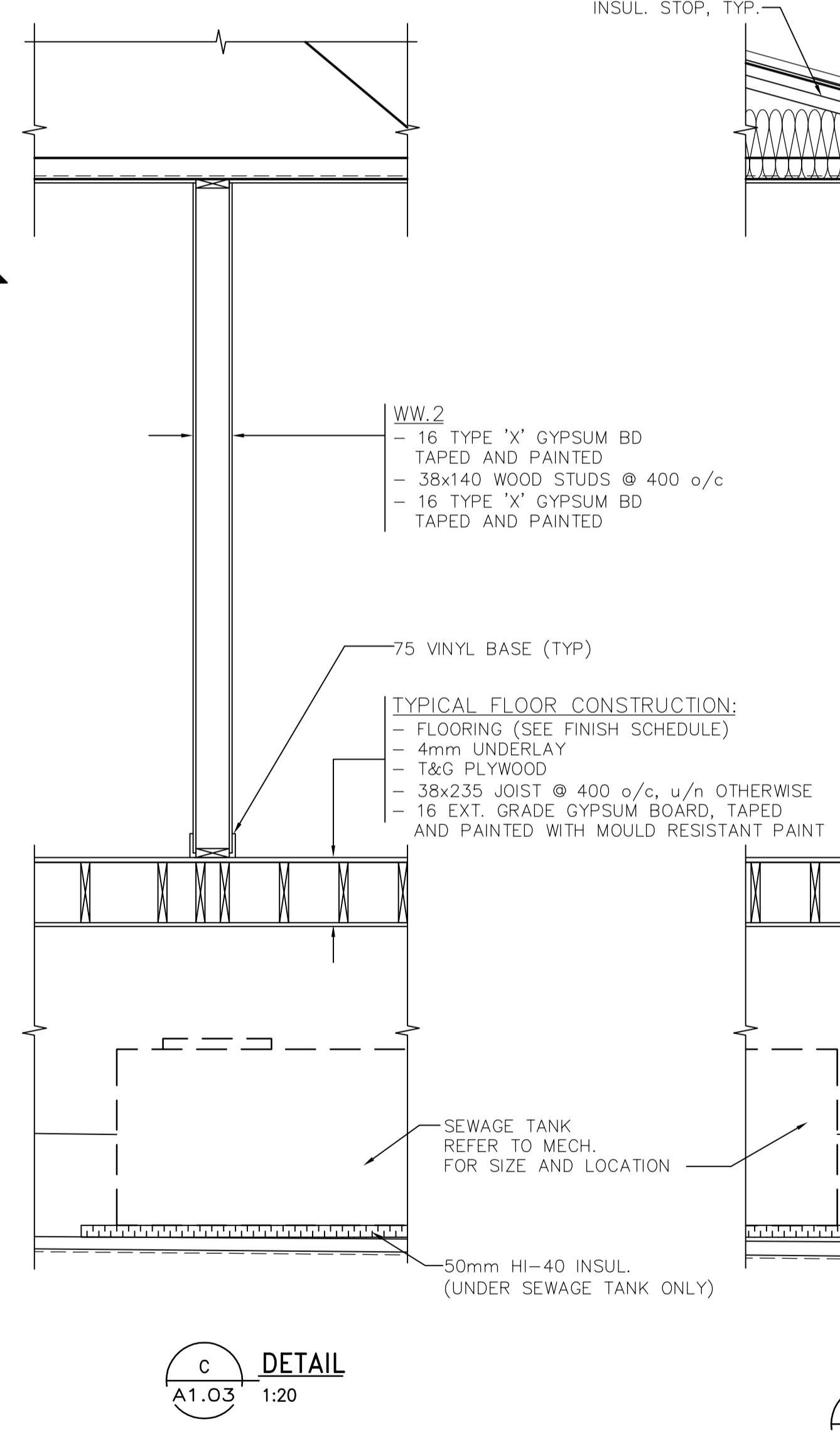


1 SECTION
A1.03 1:50

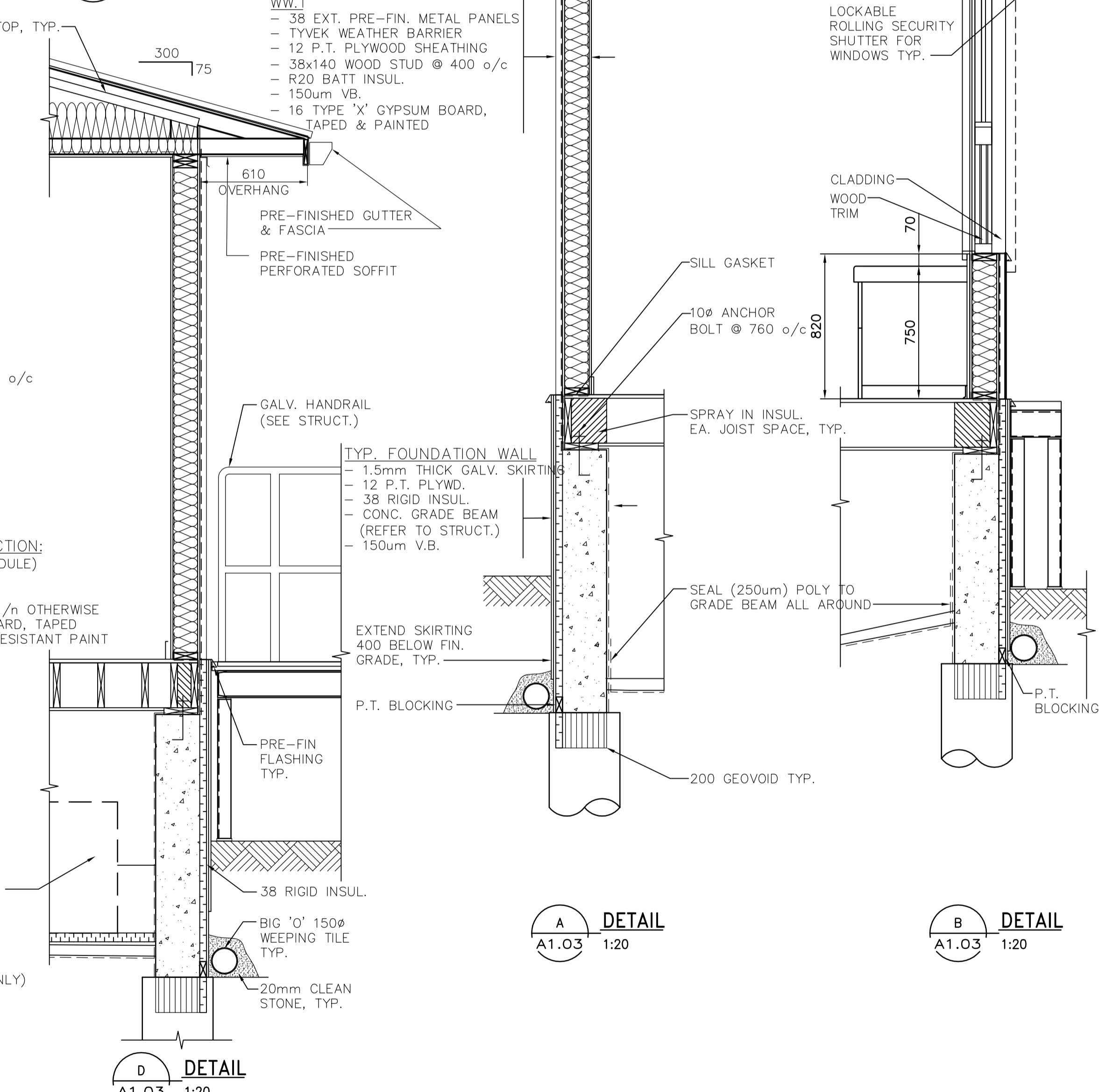


2 SECTION
A1.03 1:50

3 SECTION
A1.03 1:50



C DETAIL
A1.03 1:20



A DETAIL
A1.03 1:20

B DETAIL
A1.03 1:20

D DETAIL
A1.03 1:20

<p>APEGM Certificate of Authorization Earth Tech Canada Inc. No. 730</p>	<p>B.M. ELEV.</p>		<p>Frederickson Cooper ARCHITECTS</p>	<p> EarthTech A Tyco International Ltd. Company</p>	<p>ENGINEER'S SEAL</p>	<p> THE CITY OF WINNIPEG WATER AND WASTE DEPARTMENT SOLID WASTE SERVICES DIVISION</p>
	<p>DESIGNED BY GGP</p>		<p>CHECKED BY GGP</p>	<p>ORIGINAL SIGNED BY N. COOPER</p>	<p>CITY FILE NUMBER</p>	
	<p>DRAWN BY KK</p>		<p>APPROVED BY TGS</p>	<p>2007/07/20</p>	<p>SHEET OF</p>	
	<p>SCALE: AS NOTED</p>		<p>RELEASED FOR CONSTRUCTION BY: V. JEANCART</p>	<p>CONSULTANT DRAWING NO. A1.03</p>	<p>CITY DRAWING NUMBER SWD-D-376</p>	
<p>0 ISSUED FOR TENDER 07/07/20 KK</p>		<p>DATE 2006/07/24</p>	<p>DATE 2007/07/20</p>	<p>BRADY RD. LANDFILL NEW ENTRANCE AND SCALE FACILITY</p>		<p>ARCHITECTURAL MAIN FLOOR AND CRAWL SPACE PLAN BUILDING SECTION AND DETAILS</p>