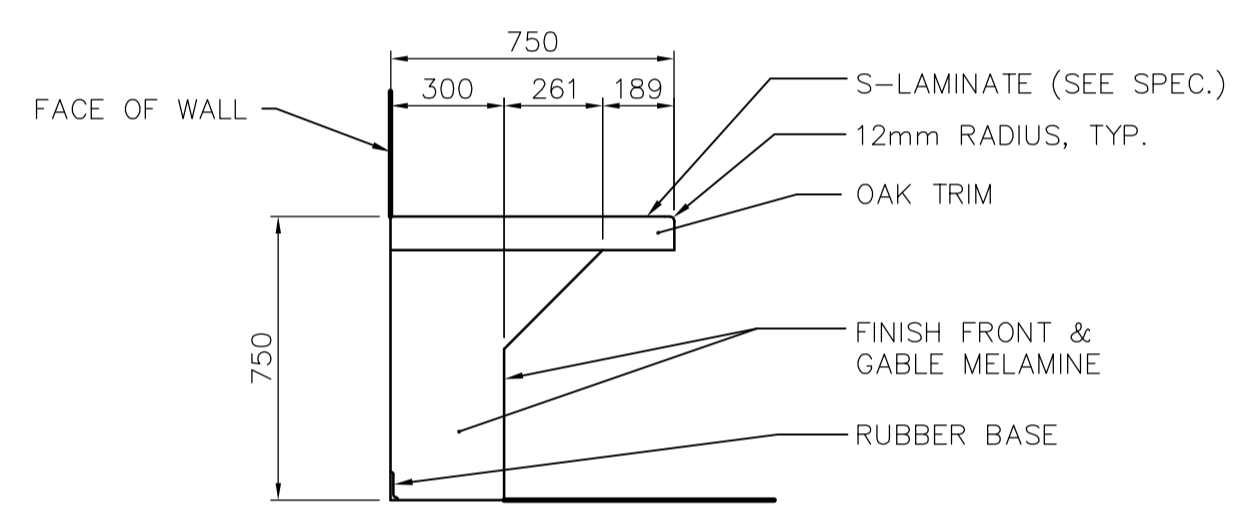
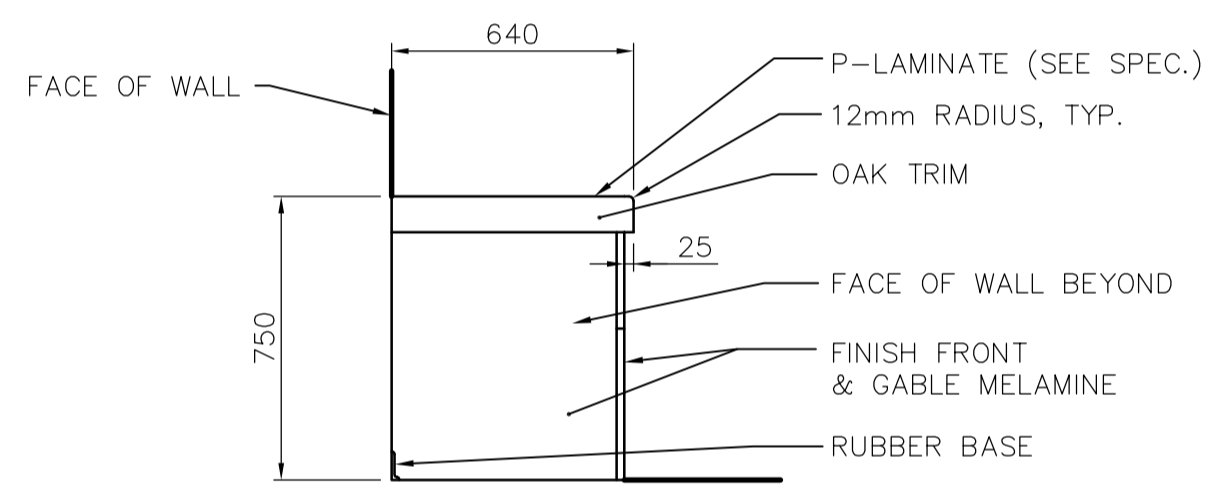


**MAIN FLOOR - MILLWORK PLAN**  
1:20

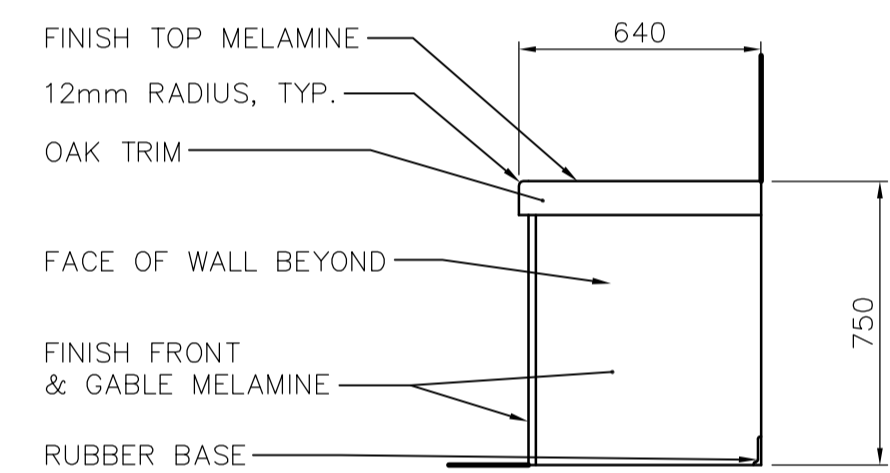
NOTE:  
PROVIDE BLOCKING FOR CABINETS,  
WASHROOM GRAB BARS, ETC. AS REQUIRED.



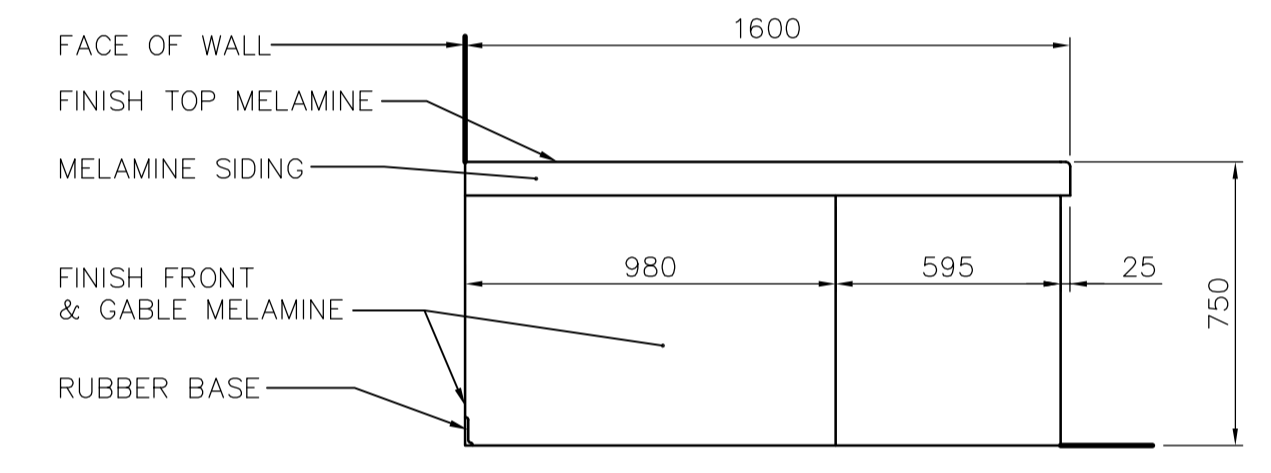
**1 ELEVATION**  
A1.05 1:20



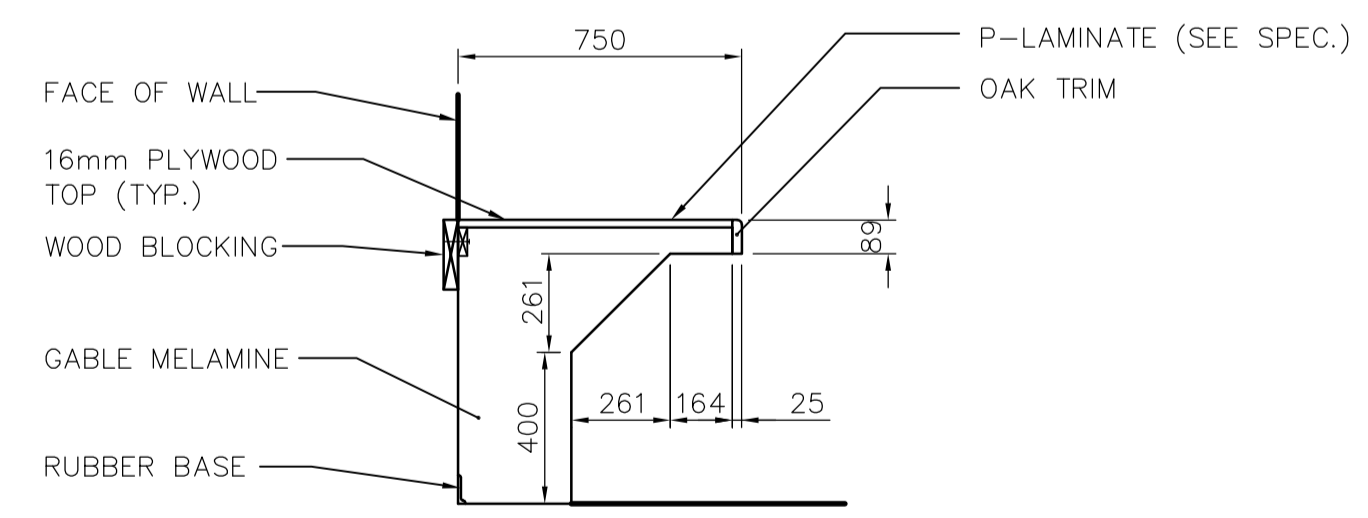
**2 ELEVATION**  
A1.05 1:20



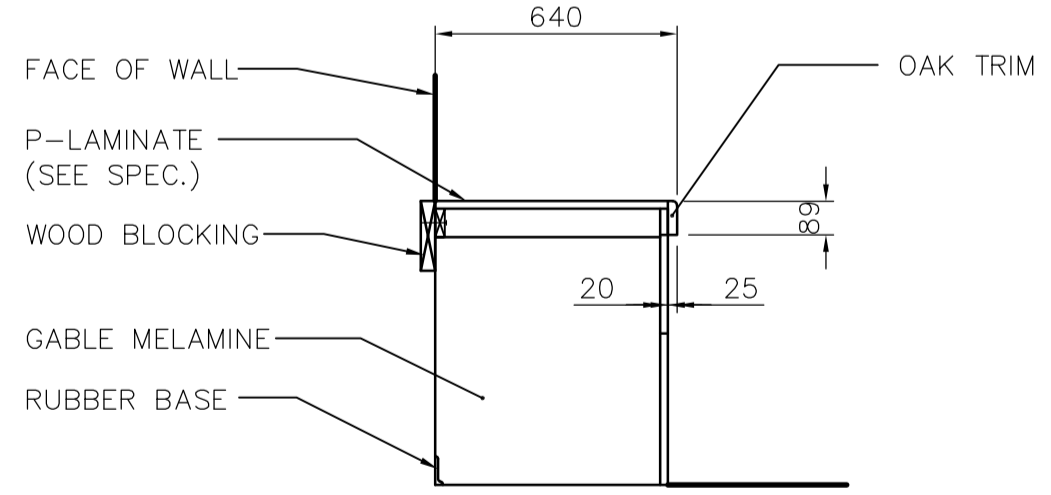
**3 ELEVATION**  
A1.05 1:20



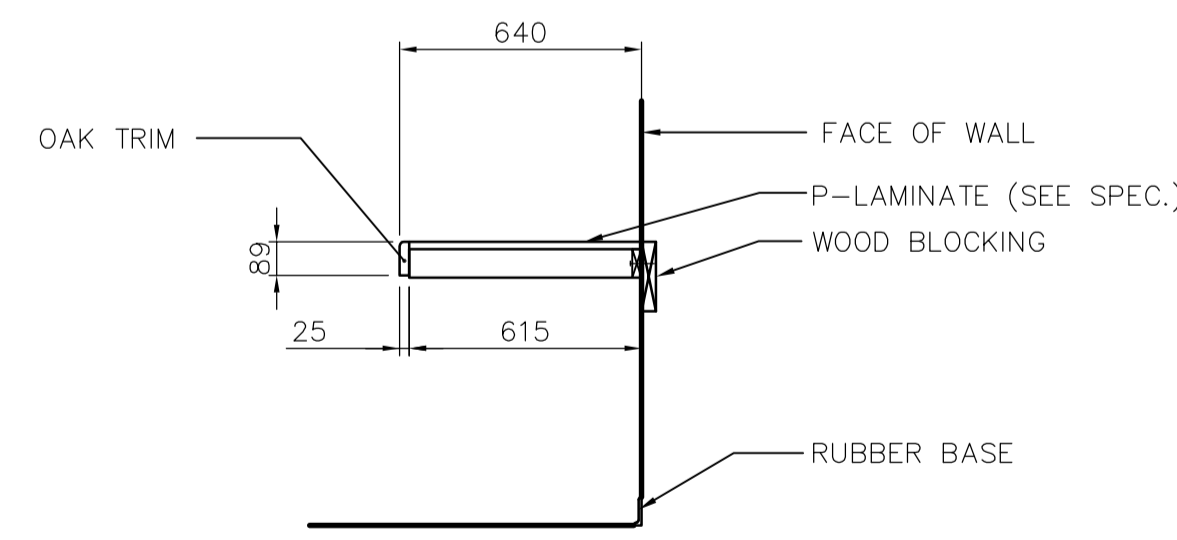
**4 ELEVATION**  
A1.05 1:20



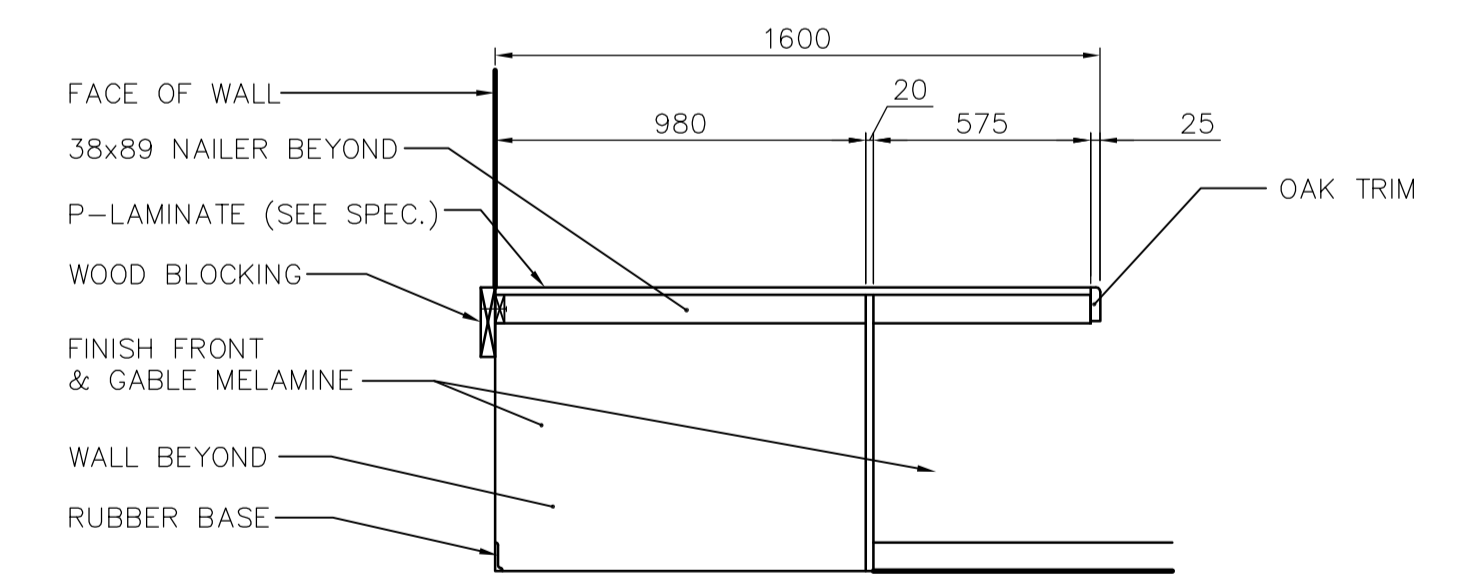
**1 SECTION**  
A1.05 1:20



**2 SECTION**  
A1.05 1:20



**3 SECTION**  
A1.05 1:20



**4 SECTION**  
A1.05 1:20

<p><b>APEGM</b> Certificate of Authorization Earth Tech Canada Inc. No. 730</p>	B.M. ELEV.			ENGINEER'S SEAL	<p><b>THE CITY OF WINNIPEG</b> WATER AND WASTE DEPARTMENT SOLID WASTE SERVICES DIVISION</p>		
				DESIGNED BY GGP		CHECKED BY GGP	ORIGINAL SIGNED BY N. COOPER
		DRAWN BY KK/CMF	APPROVED BY TGS	2007/07/20			
	0 ISSUED FOR TENDER 07/07/20 KK	SCALE: AS NOTED	RELEASED FOR CONSTRUCTION BY: V. JEANCART	CONSULTANT DRAWING NO. A1.05			
	NO. REVISIONS	DATE	BY	DATE 2006/07/24	DATE 2007/07/20	<p>BRADY RD. LANDFILL NEW ENTRANCE AND SCALE FACILITY</p>	CITY FILE NUMBER
						<p>ARCHITECTURAL MAIN FLOOR MILLWORK PLAN MILLWORK SECTIONS AND DETAILS</p>	SHEET OF
							CITY DRAWING NUMBER SWD-D-378