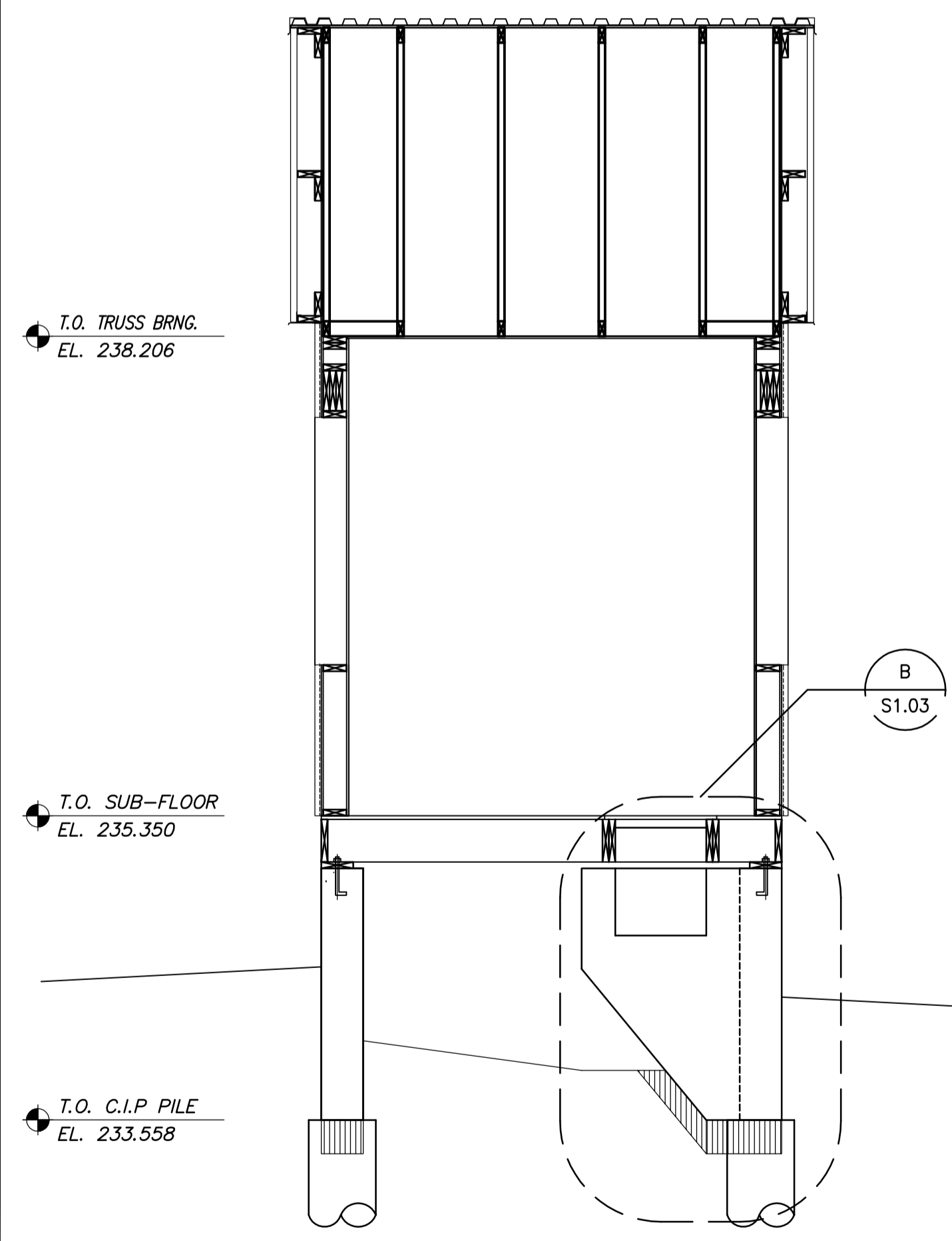
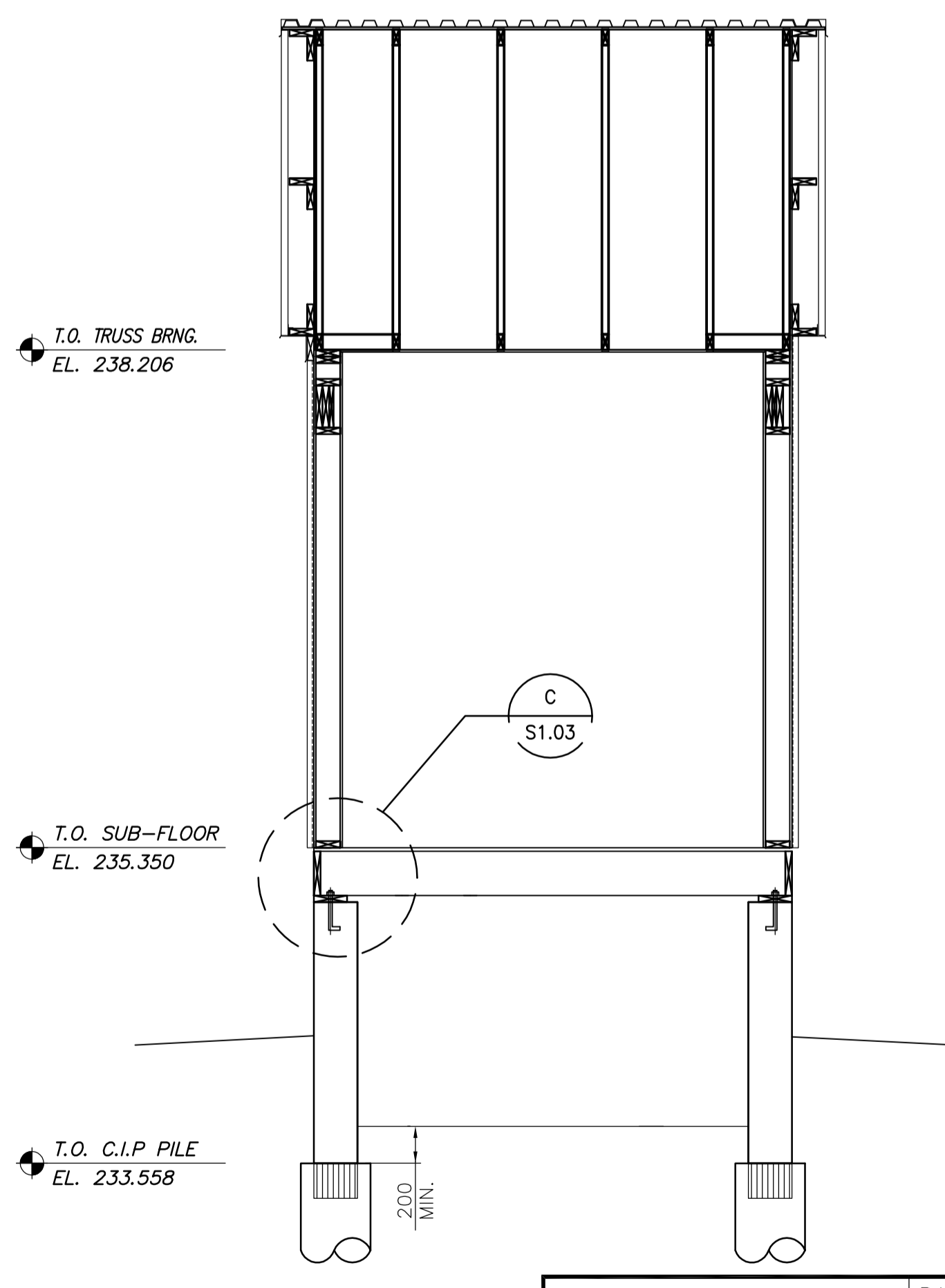


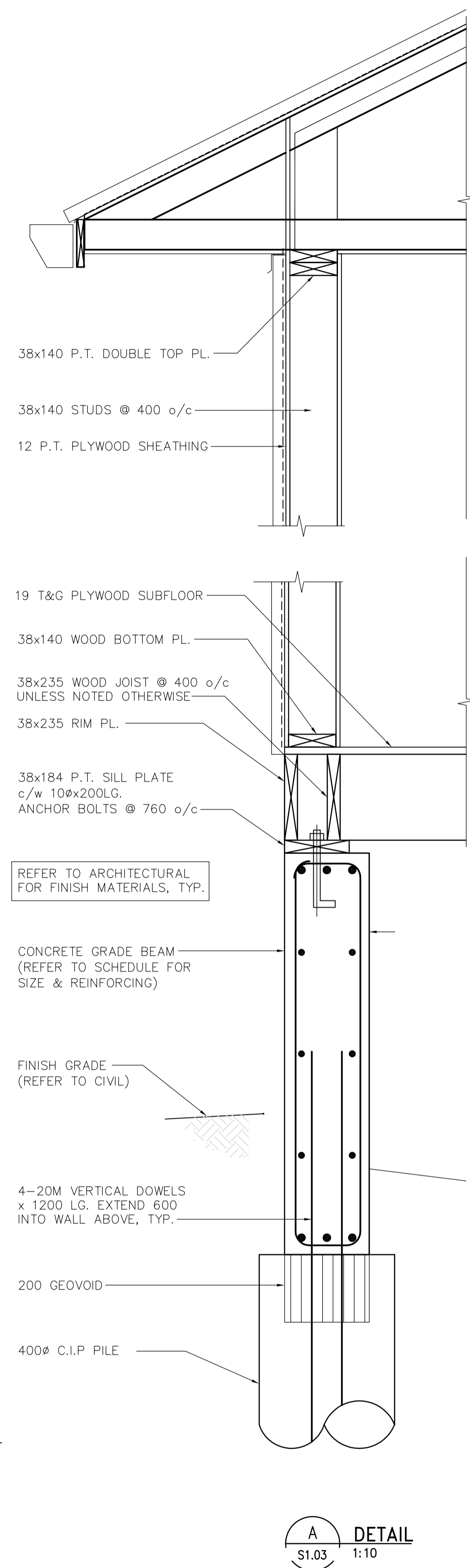
1 SECTION
S1.02 1:30



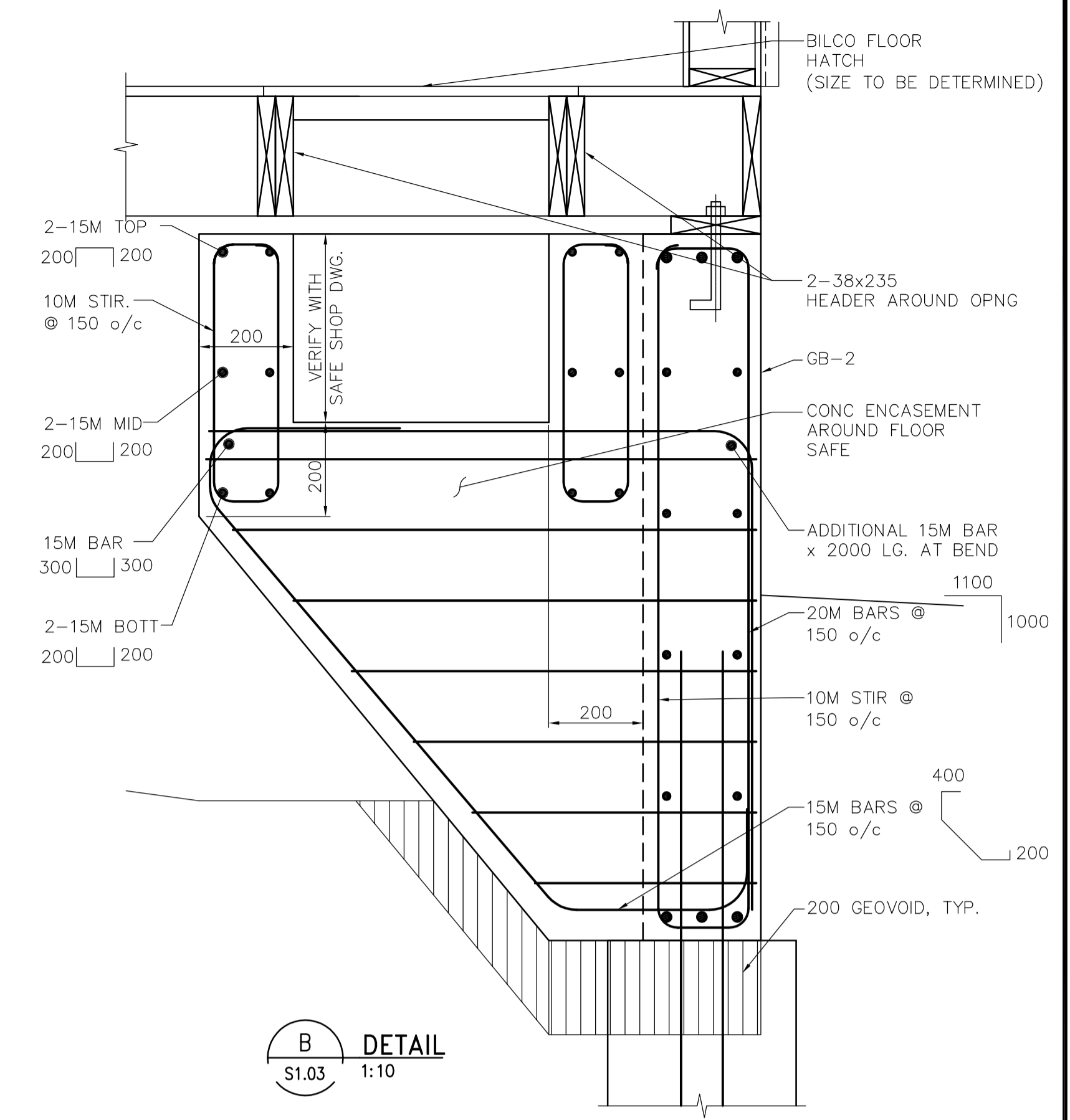
2 SECTION
S1.02 1:30



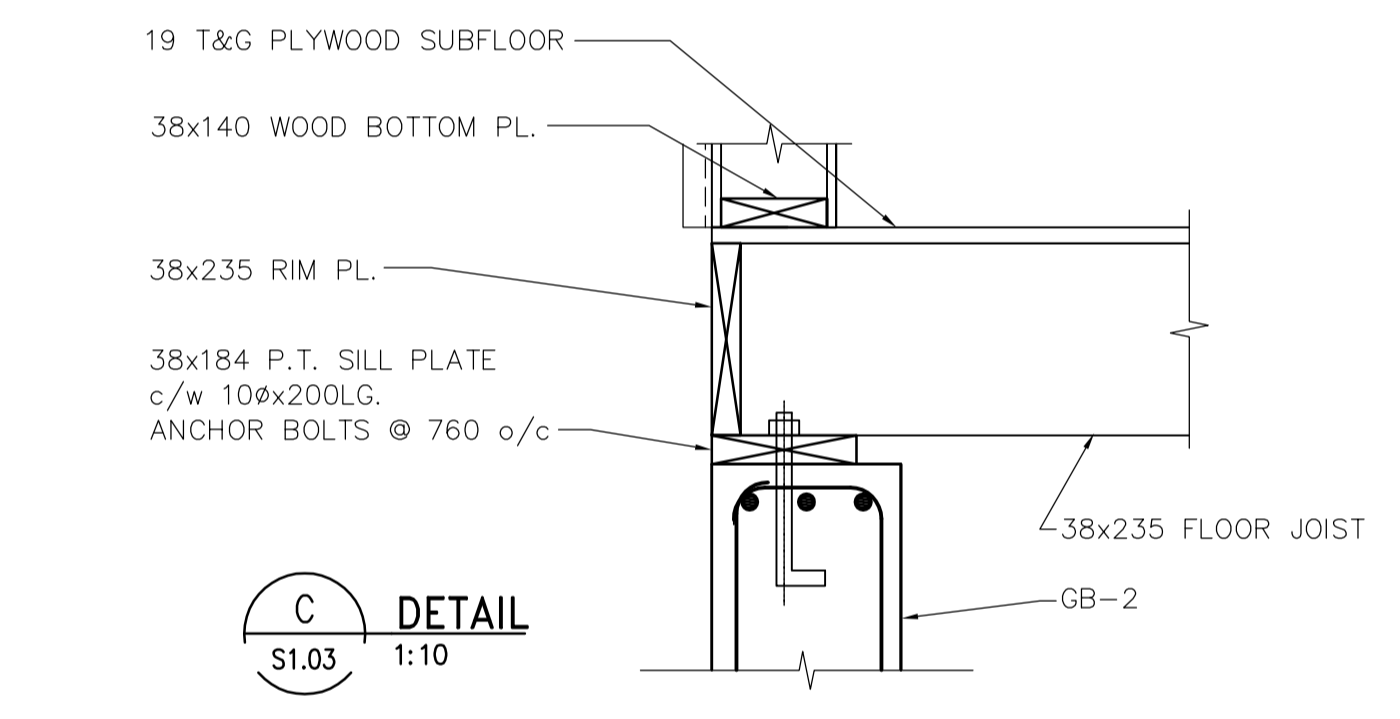
3 SECTION
S1.02 1:30



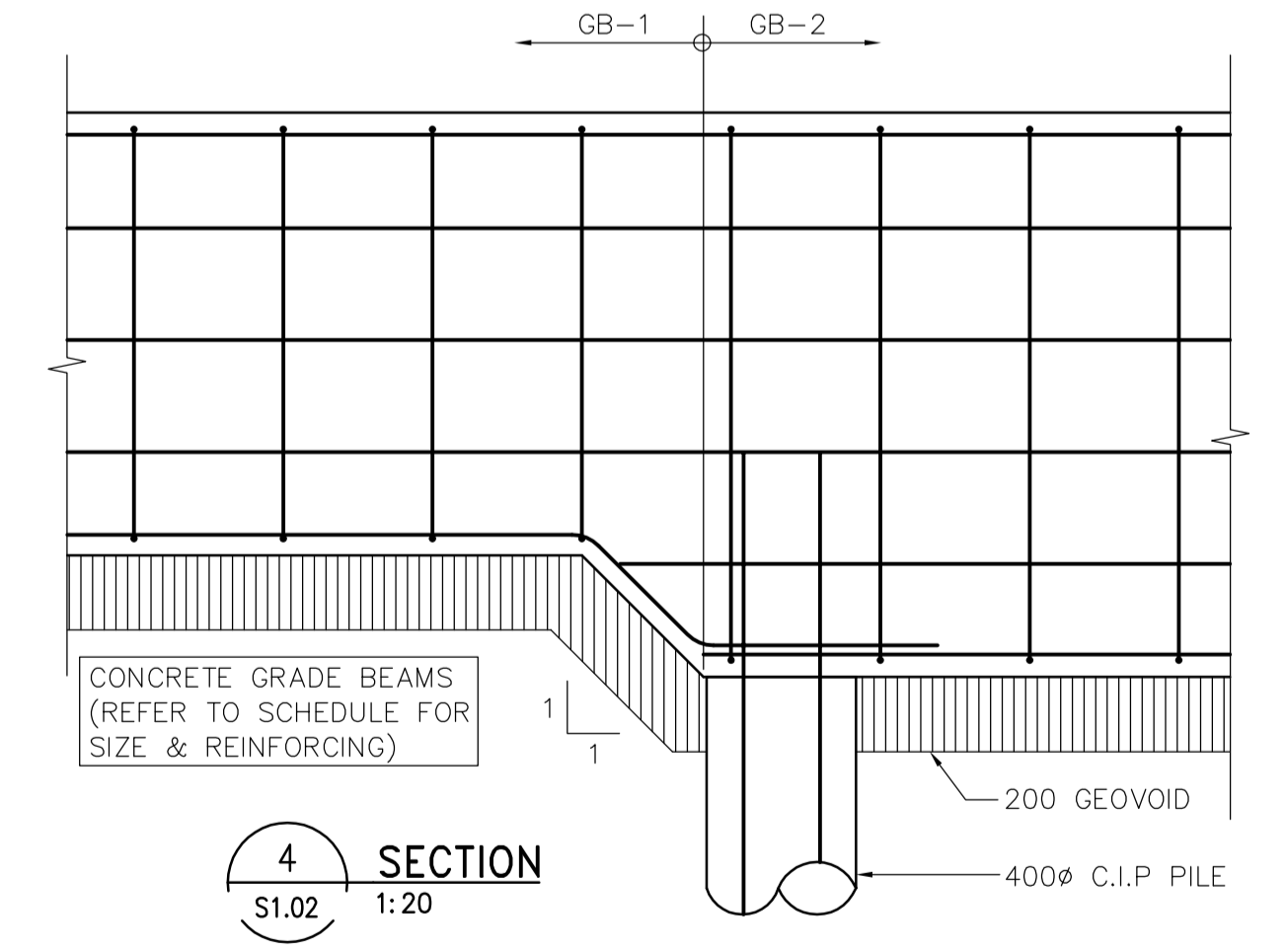
A DETAIL
S1.03 1:10



B DETAIL
S1.03 1:10



C DETAIL
S1.03 1:10



4 SECTION
S1.02 1:20

<p>Certificate of Authorization Earth Tech Canada Inc. No. 730</p>	B.M. ELEV.	Frederickson Cooper ARCHITECTS	EarthTech A Tyco International Ltd. Company	ENGINEER'S SEAL	<p>THE CITY OF WINNIPEG WATER AND WASTE DEPARTMENT SOLID WASTE SERVICES DIVISION</p>
	DESIGNED BY LLR/GGP	CHECKED BY GGP	ORIGINAL SIGNED BY M. KLASSEN	<p>BRADY RD. LANDFILL NEW ENTRANCE AND SCALE FACILITY</p>	
	DRAWN BY KK	APPROVED BY TGS	2007/07/20		
	SCALE: AS NOTED	RELEASED FOR CONSTRUCTION BY: V. JEANCART	CONSULTANT DRAWING NO. S1.03	SHEET OF	
0 ISSUED FOR TENDER	07/07/20	DATE 2006/07/24	DATE 2007/07/20		