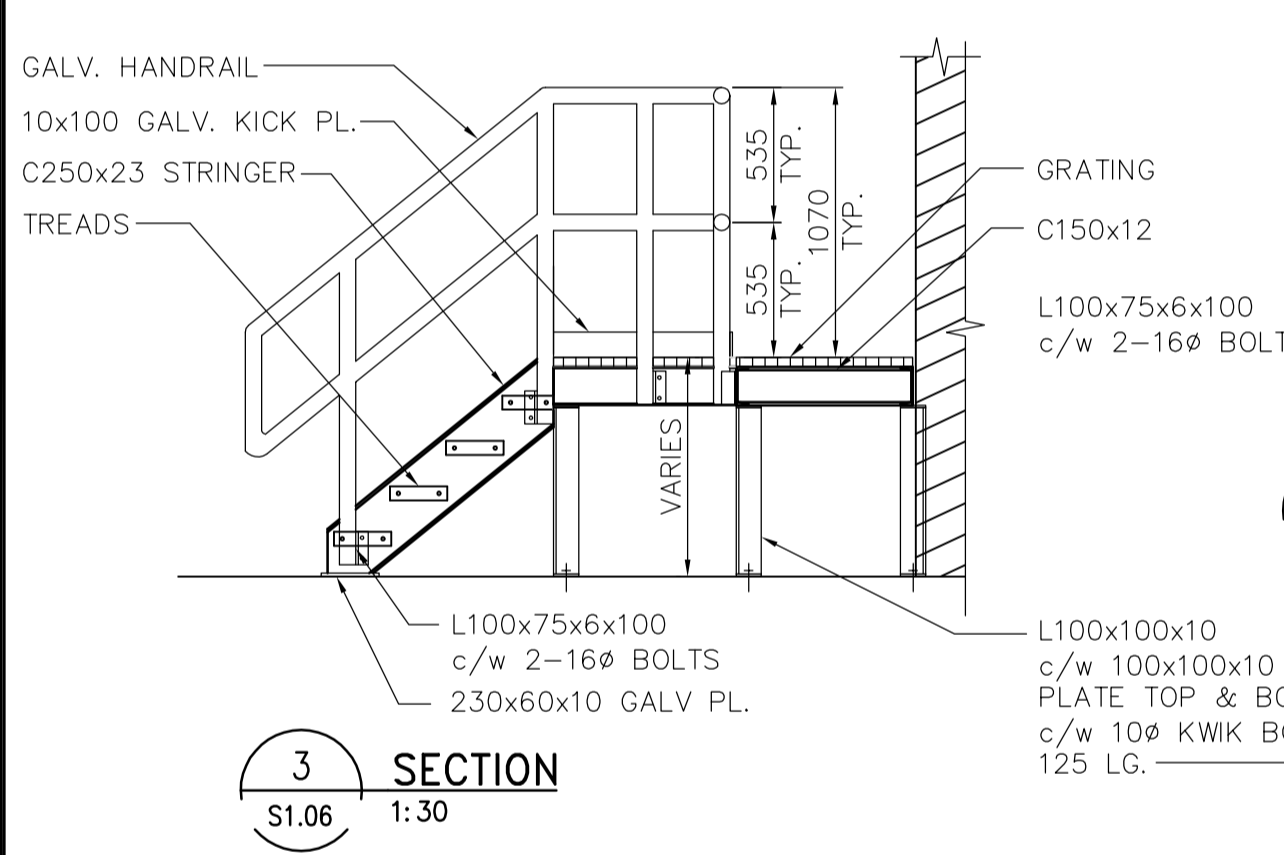
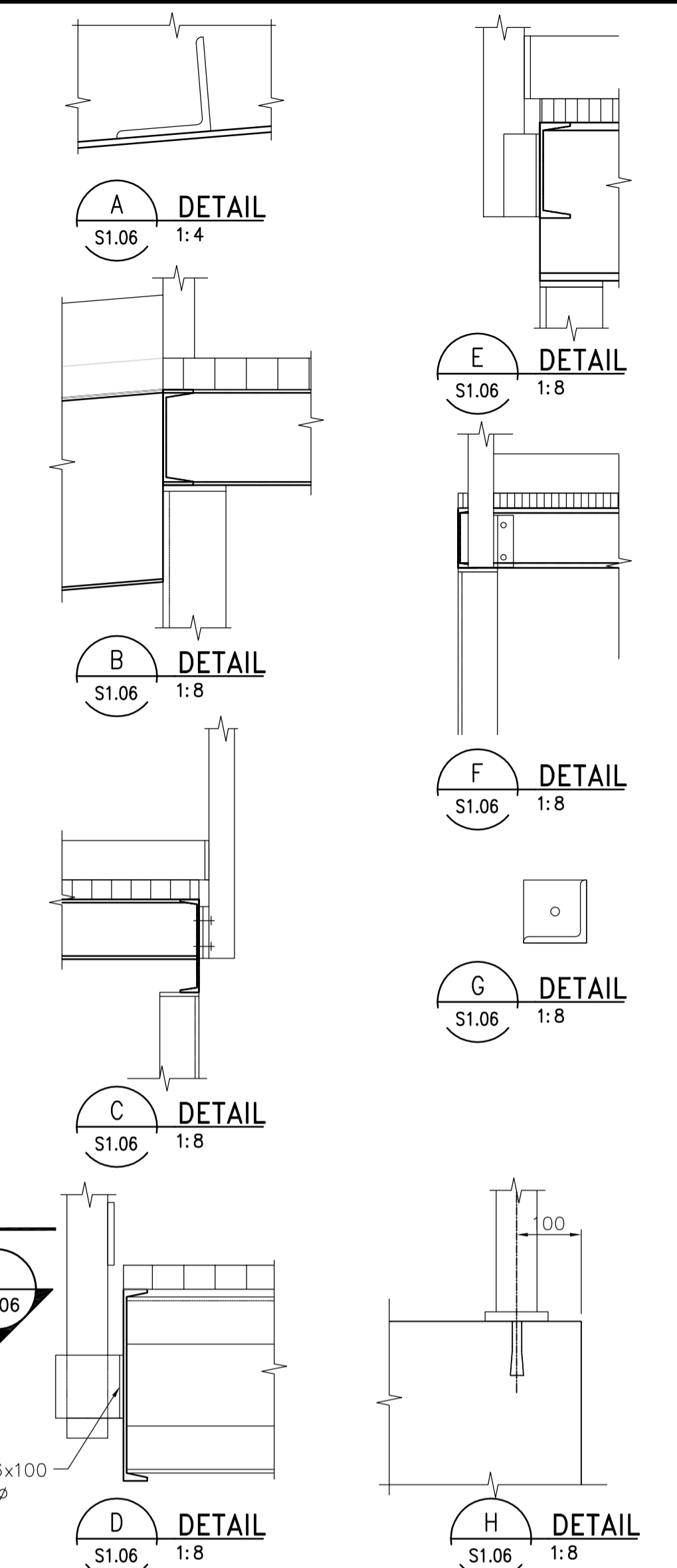
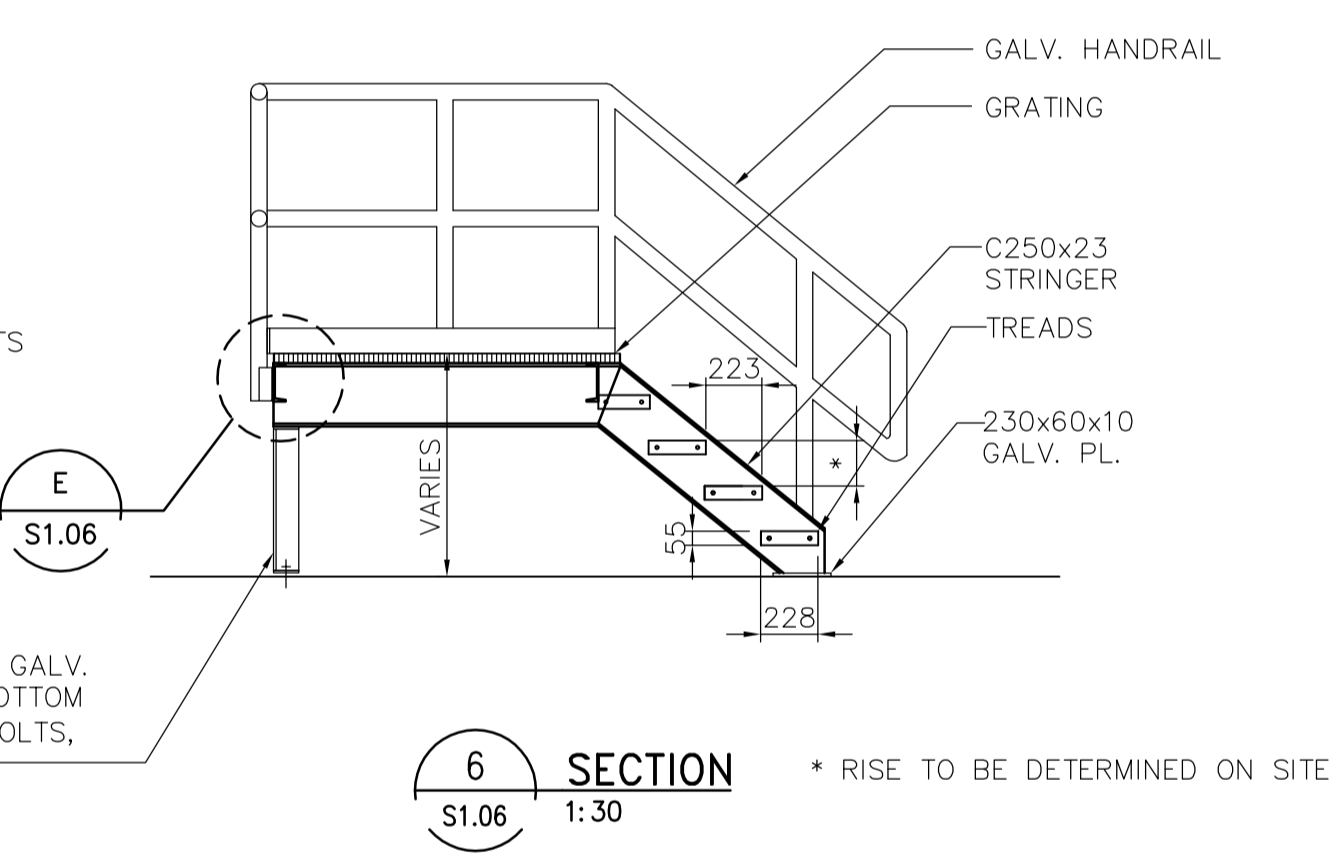


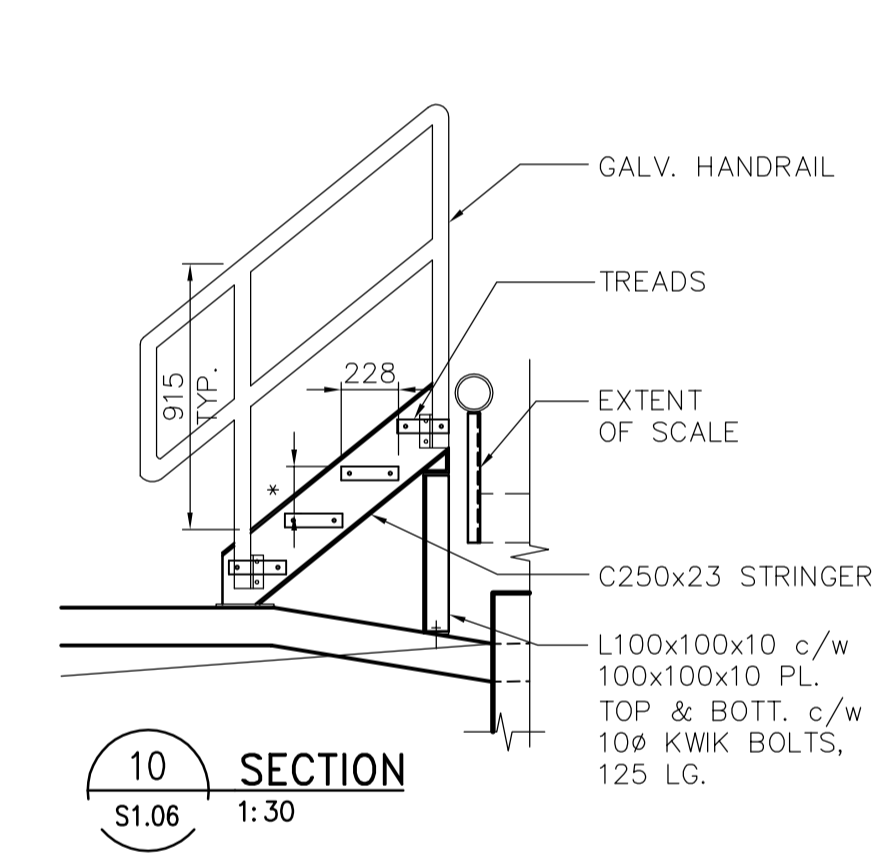
RAMP & PLATFORM PARTIAL PLAN
1:20



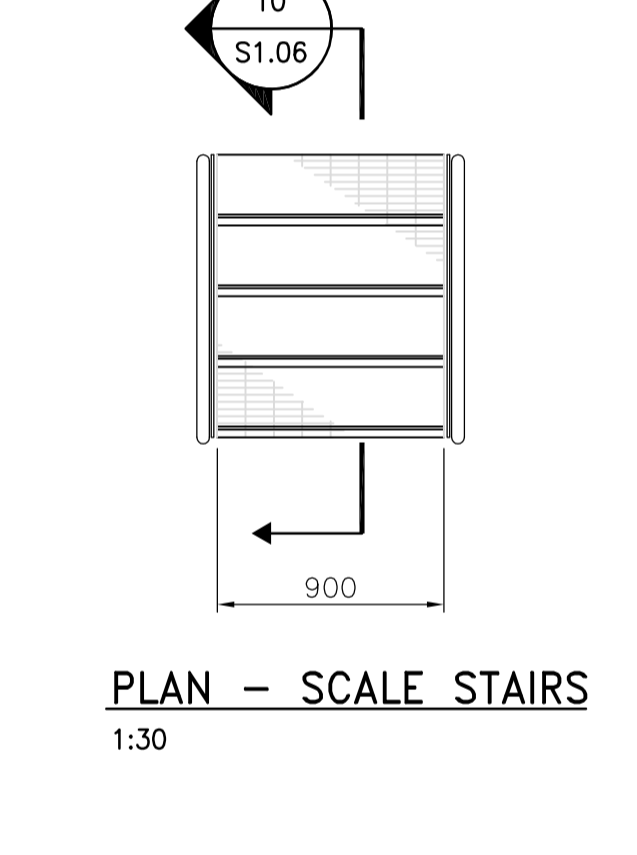
3 SECTION
S1.06 1:30



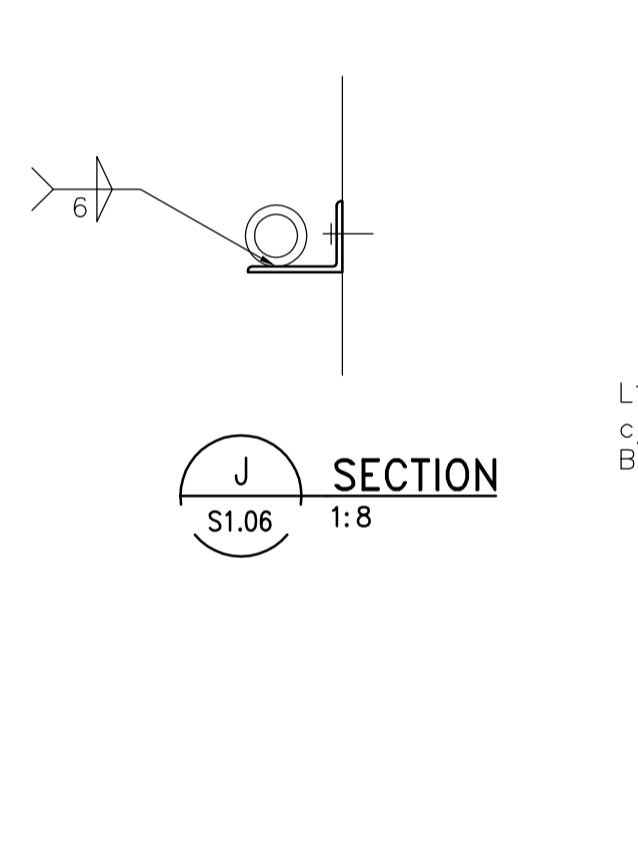
6 SECTION
S1.06 1:30 * RISE TO BE DETERMINED ON SITE



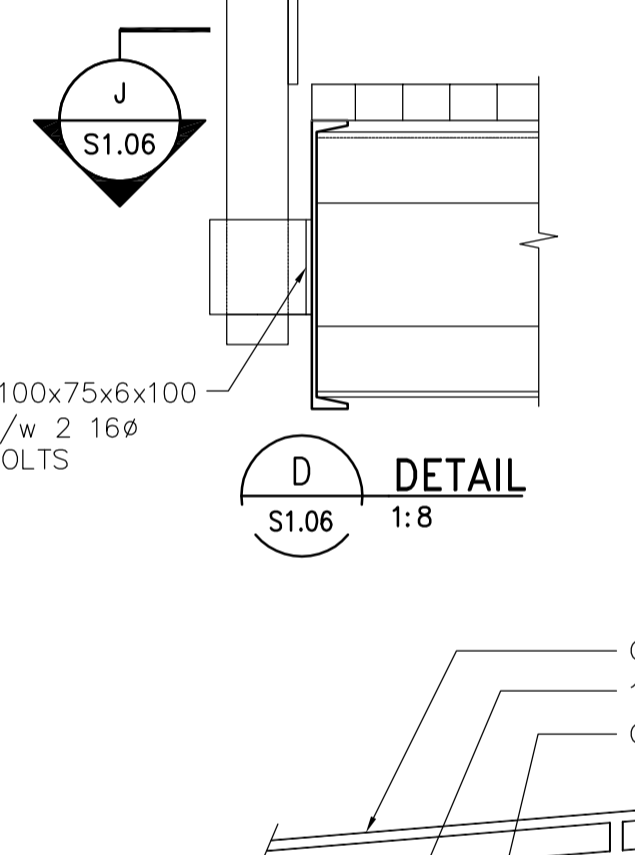
10 SECTION
S1.06 1:30



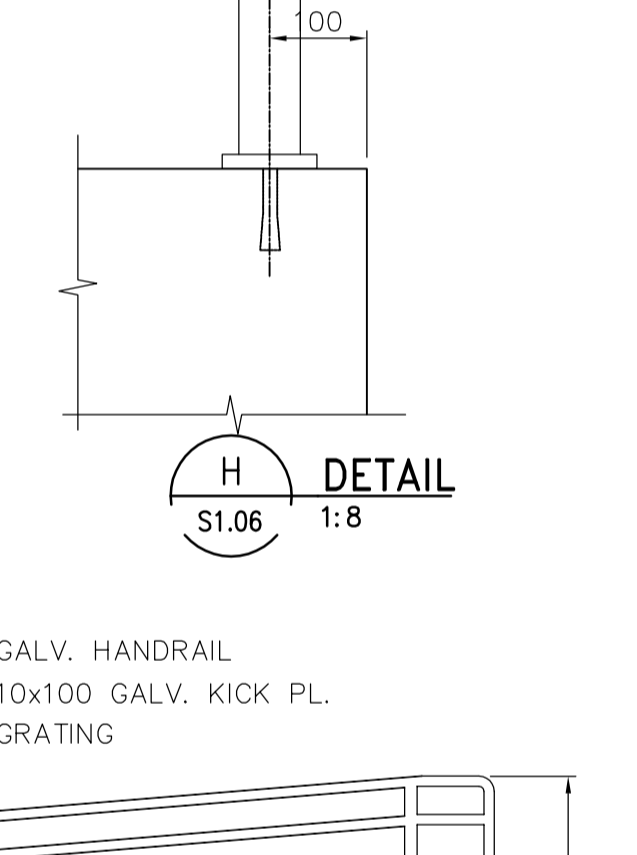
PLAN - SCALE STAIRS
1:30



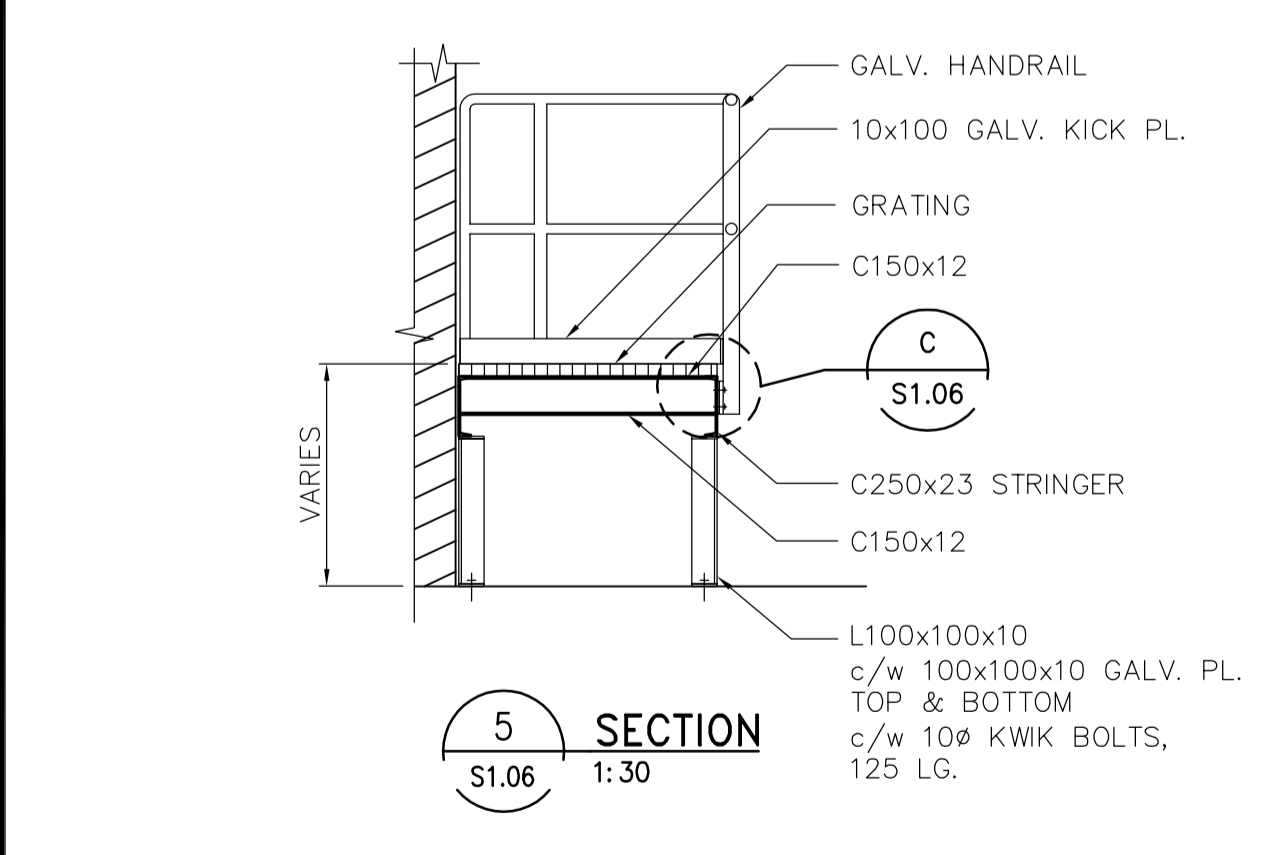
J SECTION
S1.06 1:8



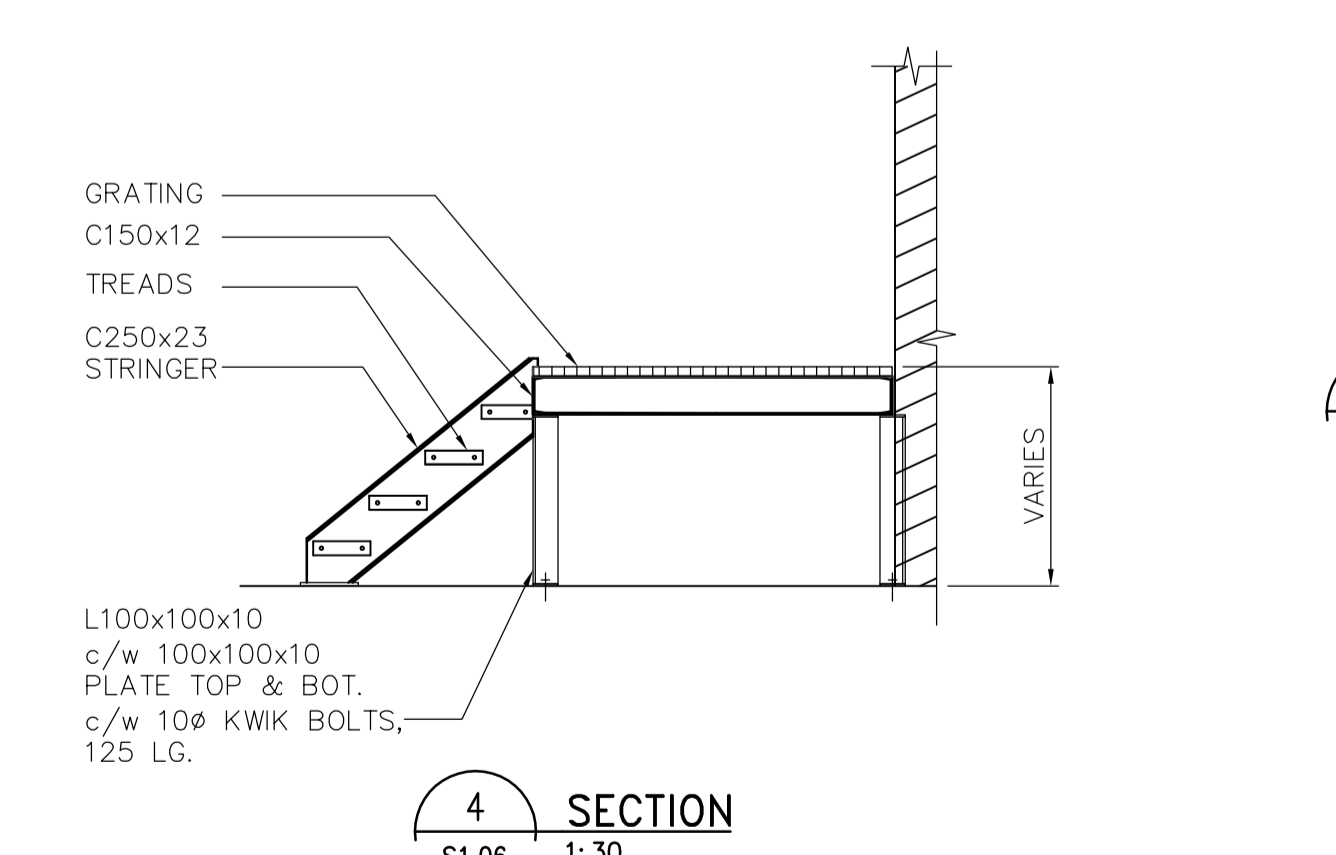
D SECTION
S1.06 1:8



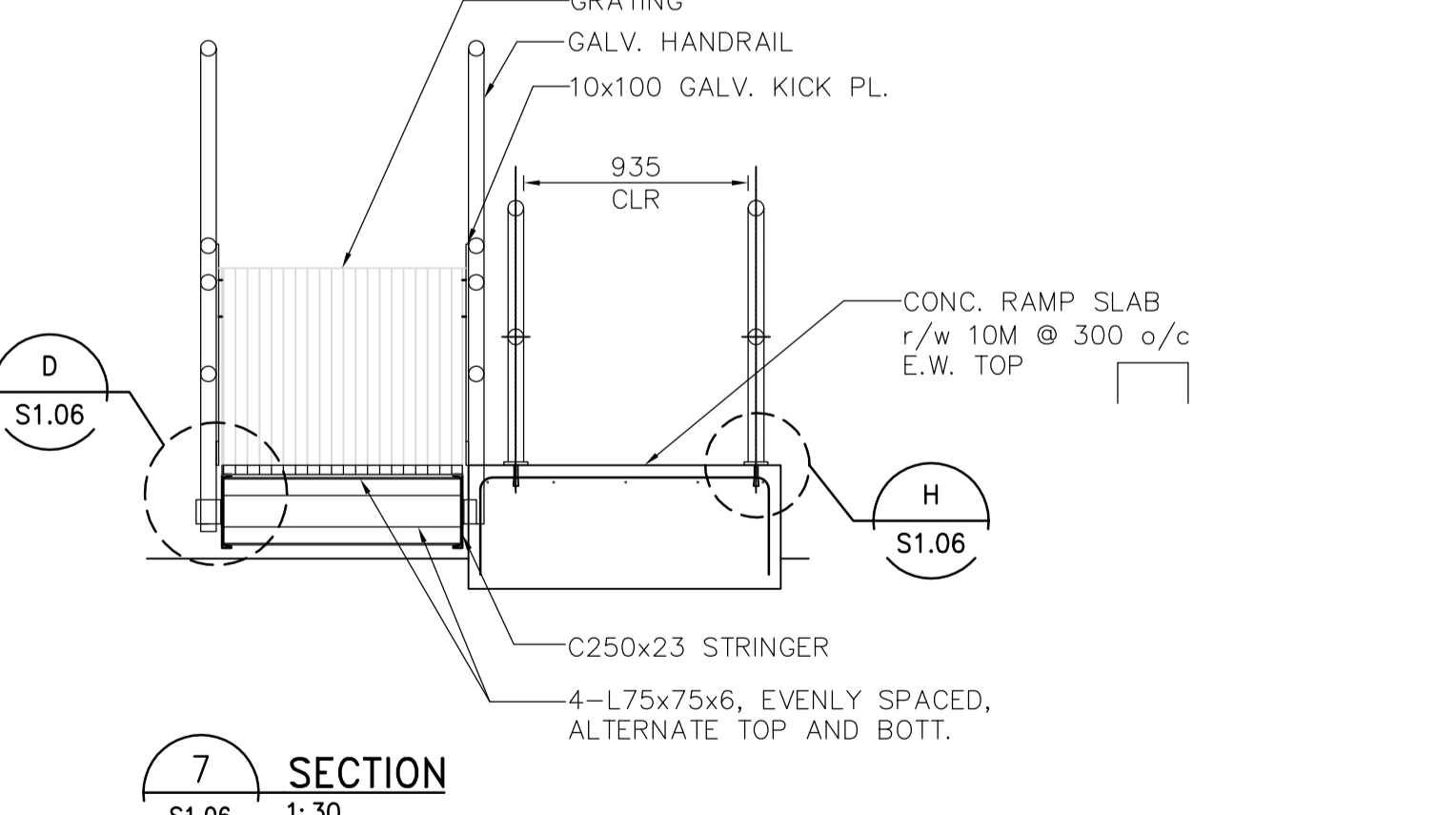
H SECTION
S1.06 1:8



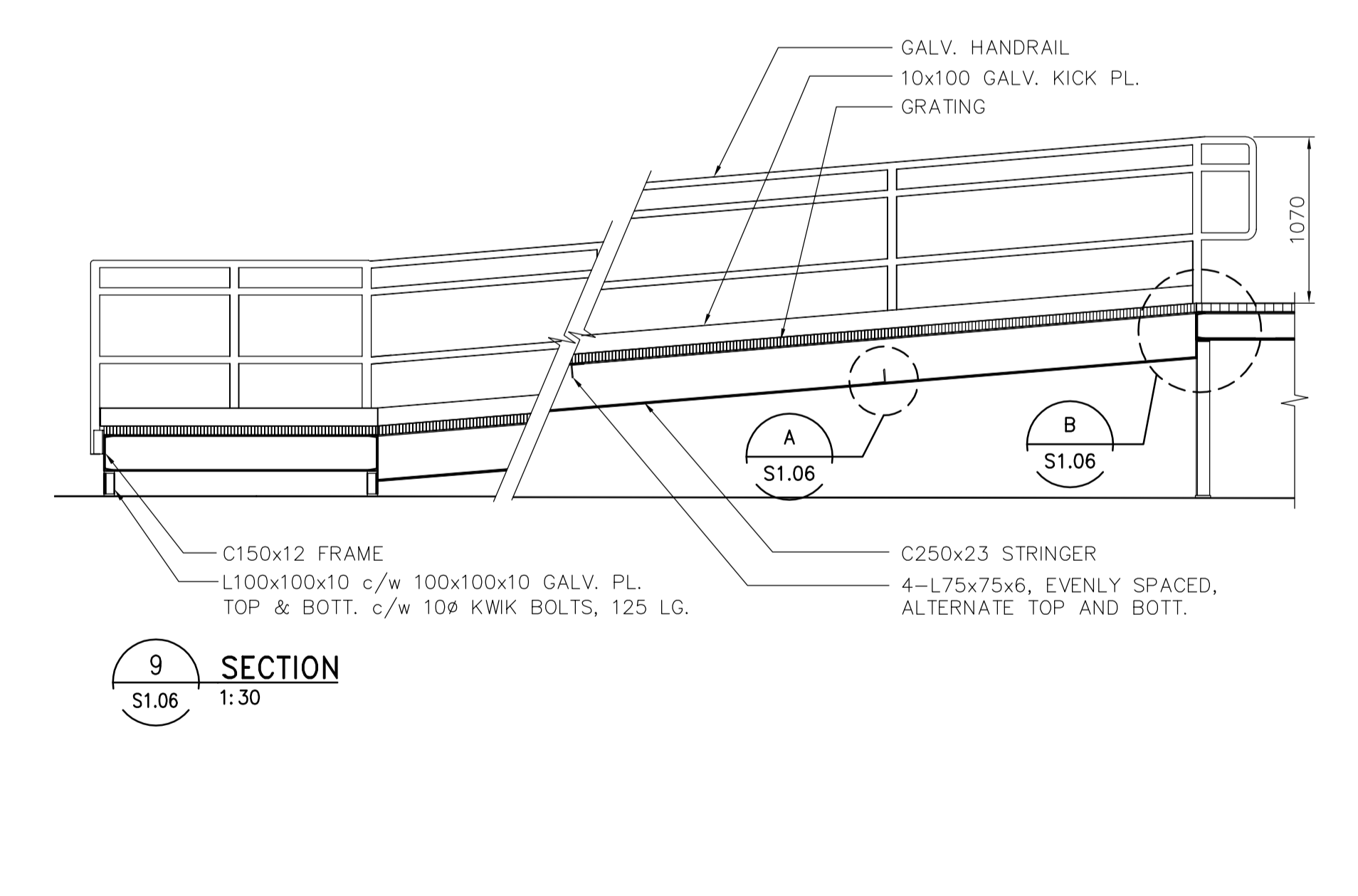
5 SECTION
S1.06 1:30



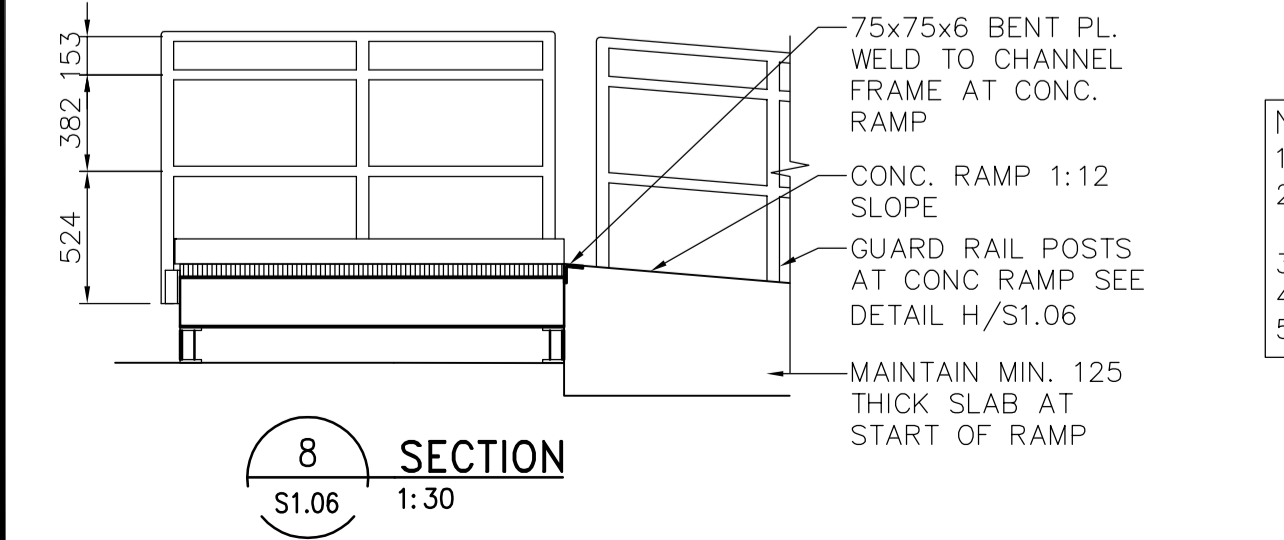
4 SECTION
S1.06 1:30



7 SECTION
S1.06 1:30



9 SECTION
S1.06 1:30



8 SECTION
S1.06 1:30

- NOTES:**
1. ALL GRATING, RAILING AND STAIR TREADS TO BE GALVANIZED
 2. ALL GRATING TO BE 38mm x 4.8mm (SERRATED) WELDED BAR GRATING (GALV.)
 3. PROVIDE LEVEL SURFACE WITH GROUT UNDER ALL BASE PLATES
 4. KWIK BOLT ALL FRAMES TO CONCRETE
 5. ALL RAILINGS TO BE 42.2 O.D GALV. STEEL PIPE

<p>APECA Certificate of Authorization Earth Tech Canada Inc. No. 730</p>	B.M. ELEV.			ENGINEER'S SEAL	<p>THE CITY OF WINNIPEG WATER AND WASTE DEPARTMENT SOLID WASTE SERVICES DIVISION</p>
		DESIGNED BY: LLR/GGP	CHECKED BY: GGP	ORIGINAL SIGNED BY: M. KLASSEN	
		DRAWN BY: KK	APPROVED BY: TGS	2007/07/20	
		SCALE: AS NOTED	RELEASED FOR CONSTRUCTION BY: V. JEANCART	CONSULTANT DRAWING NO. S1.06	
	0 ISSUED FOR TENDER 07/07/20 KK	DATE: 2006/07/24	DATE: 2007/07/20		<p>BRADY RD. LANDFILL NEW ENTRANCE AND SCALE FACILITY</p> <p>STRUCTURAL RAMP, RAILING & PLATFORM PLAN AND SECTIONS</p>
					<p>CITY FILE NUMBER</p> <p>SHEET OF</p> <p>CITY DRAWING NUMBER SWD-D-384</p>