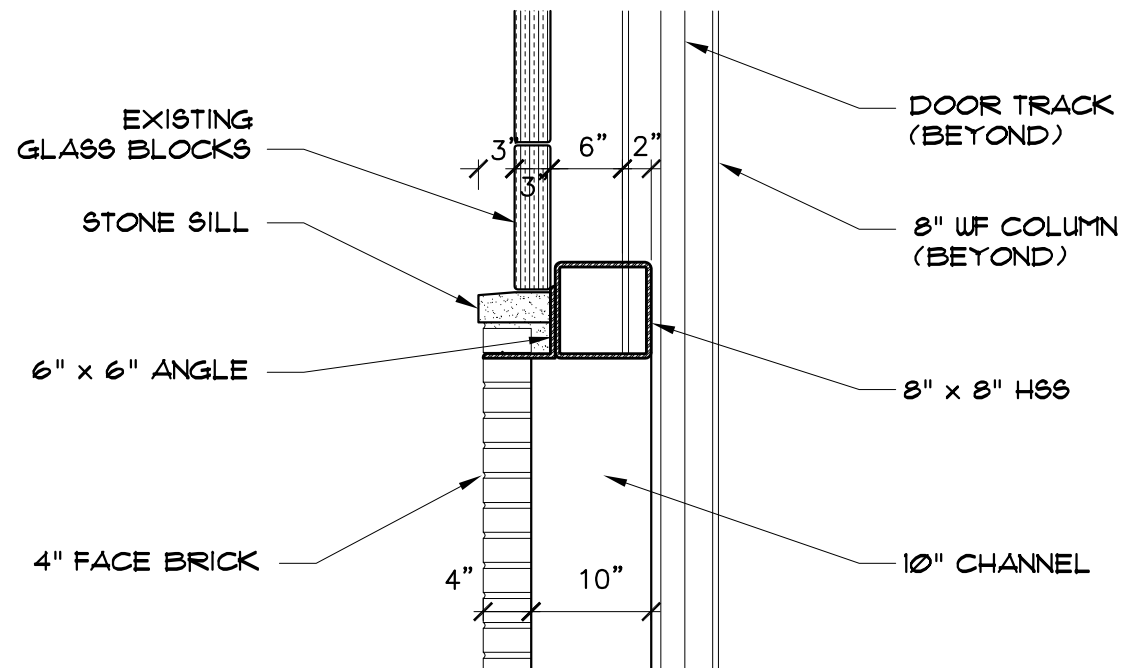


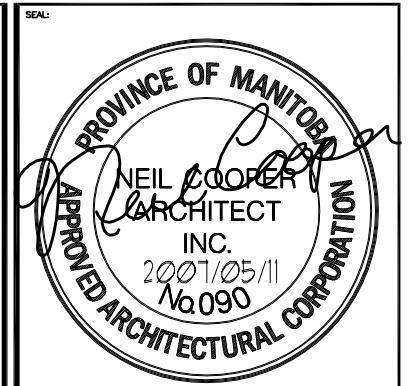
**DOOR JAMB AND WALL CONSTRUCTION (J1)**  
 3/4"=1'-0"



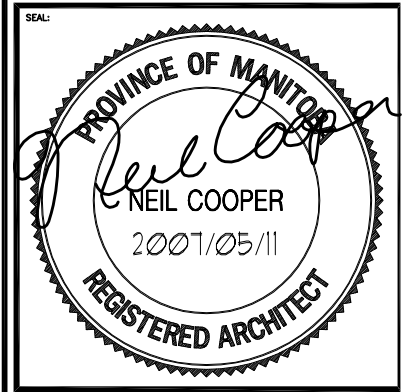
**DOOR HEAD/LINTEL BEAM DETAIL (H1)**  
 3/4"=1'-0"

**DOOR SCHEDULE**

NO.	DOOR					FRAME					RATING (HR)	REMARKS
	WIDTHxHEIGHTxTHICKNESS	TYPE	MAT.	FINISH	GLASS	MAT.	FINISH	TYPE	JAMB	HEAD		
101	16'Wx14'Hx1-3/4"	D1	ALUM	PREFIN	-	STL	PNT	-	J1	H1	-	FULLY GLAZED



REV	ISSUED FOR TENDER	DATE	BY
0		MAY 11, 2007	DG



THIS DRAWING MUST NOT BE SCALED.  
 THE CONTRACTOR SHALL VERIFY ALL DIMENSIONS, DATUMS AND LEVELS PRIOR TO COMMENCEMENT OF WORK AND IS HELD RESPONSIBLE FOR REPORTING ANY DISCREPANCY OR OMISSION TO THE CONTRACT ADMINISTRATOR IMMEDIATELY.  
 THIS DRAWING IS THE EXCLUSIVE PROPERTY OF NEIL COOPER ARCHITECT INC AND CAN BE REPRODUCED ONLY WITH THE PERMISSION OF NEIL COOPER ARCHITECT INC, IN WHICH CASE THE REPRODUCTION MUST BEAR THEIR NAME AS THE ARCHITECTURAL FIRM.

DRAWING:  
**DETAILS & SCHEDULE**

PROJECT:  
**195 TECUMSEH  
 O/H DOOR & CONCRETE  
 SLAB REPLACEMENT  
 WINNIPEG, MANITOBA**

Neil Cooper Architect Inc.  
 10-395 Berry Street, Winnipeg, Manitoba R3J 1N6

DRAWN BY: AL	CHECKED BY: NC	SHEET NO.:	REV NO.:
DATE: Jul 4, 2006	SCALE: As Noted	<b>A2.3R0</b>	
FILE: 06012/Design Doc/Design Dwgs/Arch Dwgs/A2.3R0.dwg			