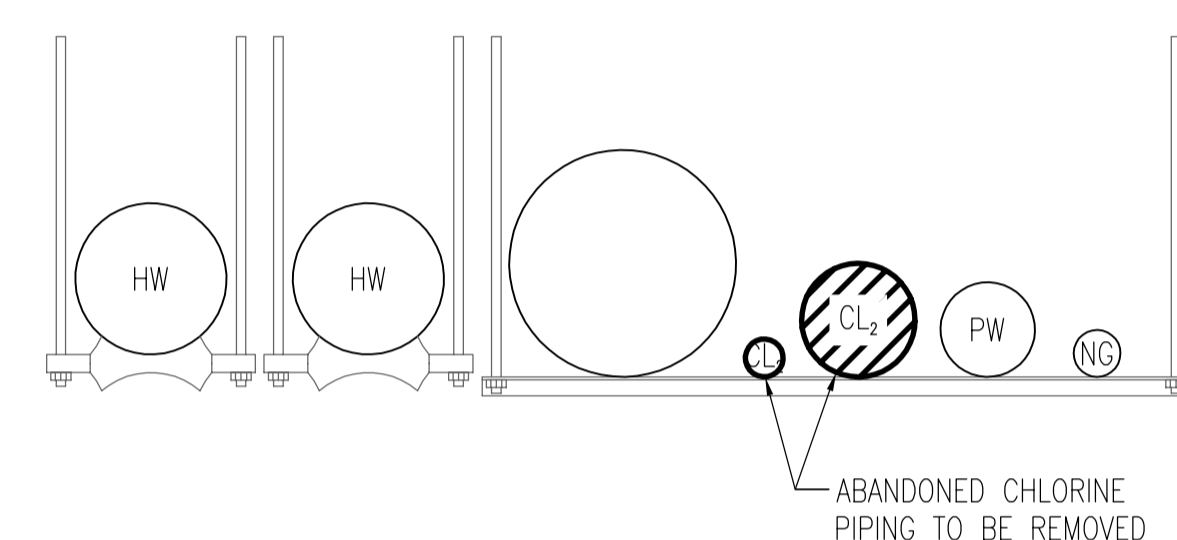


CONT'D ON DWG. 1-0101M-A-E0009-001

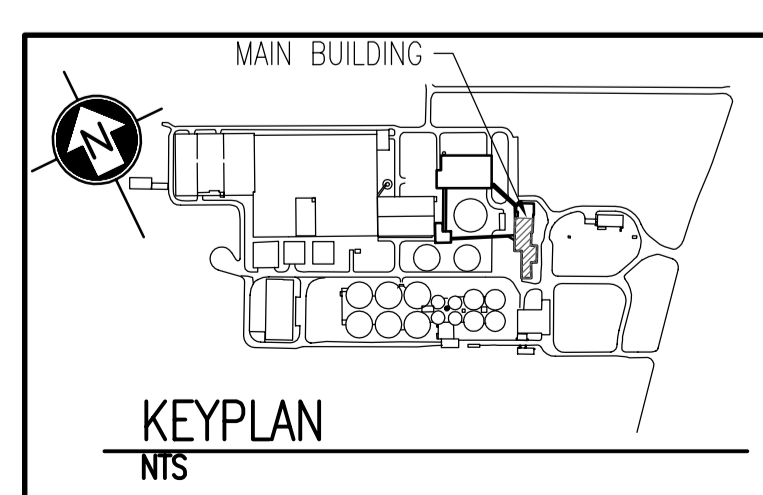
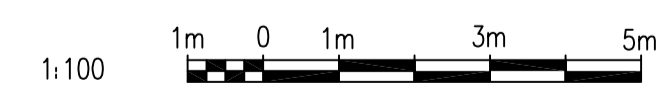
**MAIN BUILDING PLAN**  
1:100



**C** PIPE RACK SECTION  
1:10

**PEGM**  
Certificate of Authorization  
SNC-Lavalin Engineers & Constructors Inc. (MB)  
No. 2365 Expiry: April 30, 2008

NO.	DRAWING NOTES
1	CONTRACTOR TO OPEN THE EXISTING WALL AS REQUIRED TO VERIFY THE SPECIFIED CABLE ROUTE THROUGH THE ABANDONED SEWAGE CONDUITS. REFER TO 1-0101M-A-E0011-002.
2	CUT, CAP, AND MAKE GOOD EXISTING 150Ø AND 65Ø CHLORINE PIPING AT LOCATION SHOWN. REMOVE AND DISPOSE OF PIPING BACK TO CHLORINE ROOM.
3	REMOVE 3C #2/0 AWG TECK CABLE FROM MAIN BLDG. ELECTRICAL ROOM MCC-M TO 75kVA XFMR. COORDINATE WITH INSTALLATION OF NEW CABLE TO MINIMIZE POWER DISRUPTION TO THE SERVICED LOAD.



B.M. ELEV.	FIELD BOOK #:	SNC • LAVALIN Engineers & Constructors		SNC • LAVALIN 148 Nature Park Way Winnipeg, Manitoba Canada R2P 0X7	
POSTED TO LBIS		DESIGNED BY C. REIMER	CHECKED BY C. ASMUNDSON	ENGINEER'S SEAL	
		DRAWN BY A. OLIVER	APPROVED BY C. REIMER	<b>PRELIMINARY</b> NOT TO BE USED FOR CONSTRUCTION	
		HOR. SCALE 1:100	RELEASED FOR CONSTRUCTION		
		VERTICAL 1:100	DATE 2007/03/08		
01 REVISED DRAWING SCALE	2007/07/11	AEO	DATE	CITY DRAWING NUMBER	
00 ISSUED FOR TENDER	2007/06/22	YOM	DATE	1-0101M-A-E0009	
NO. REVISIONS	DATE	BY	FILENAME: 1-0101M-A-E0009-001-00D.dwg	SHEET	REV. SIZE

**THE CITY OF WINNIPEG**  
WATER AND WASTE DEPARTMENT

NORTH END WATER POLLUTION CONTROL CENTRE  
MAIN BUILDING FEEDER REPLACEMENTS  
DEMOLITION PLAN  
MAIN BUILDING BASEMENT

CITY DRAWING NUMBER: 1-0101M-A-E0009  
SHEET: 002  
REV.: 01  
SIZE: D