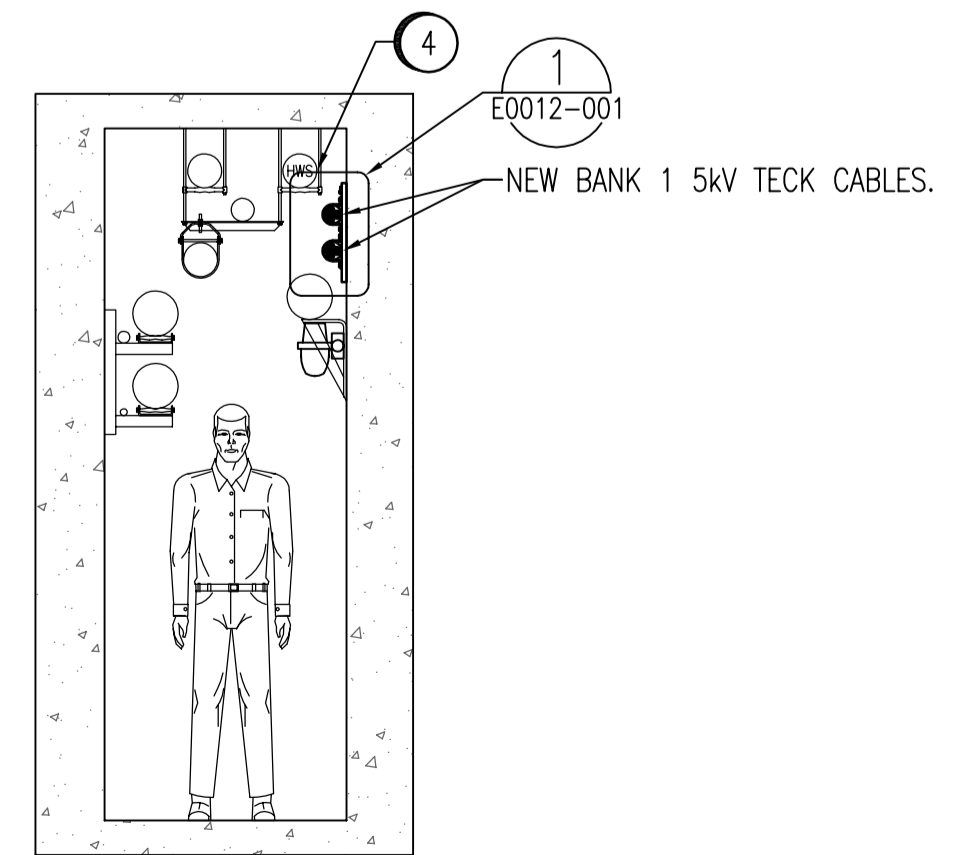
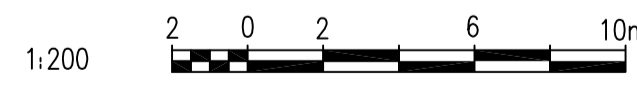
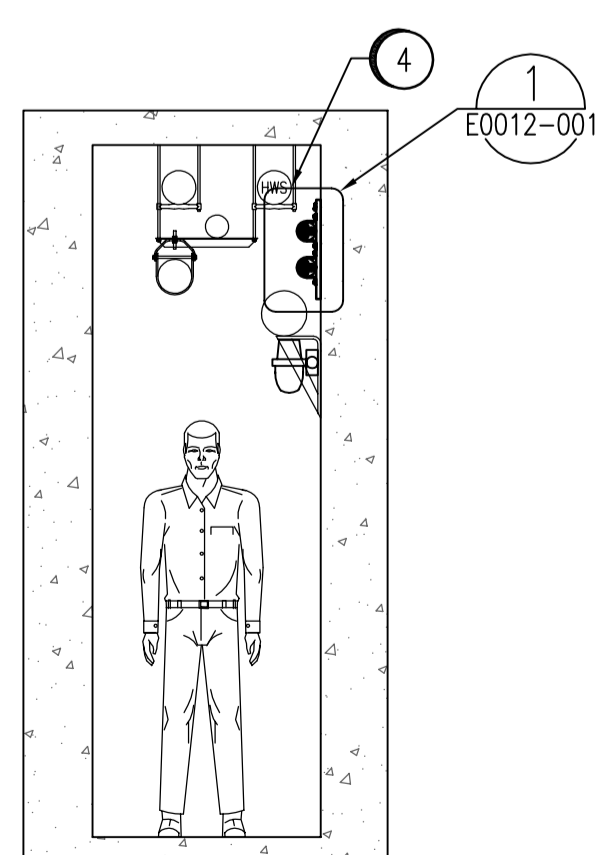


**NEWPCC SITE PLAN BASEMENT LEVEL**  
1:200

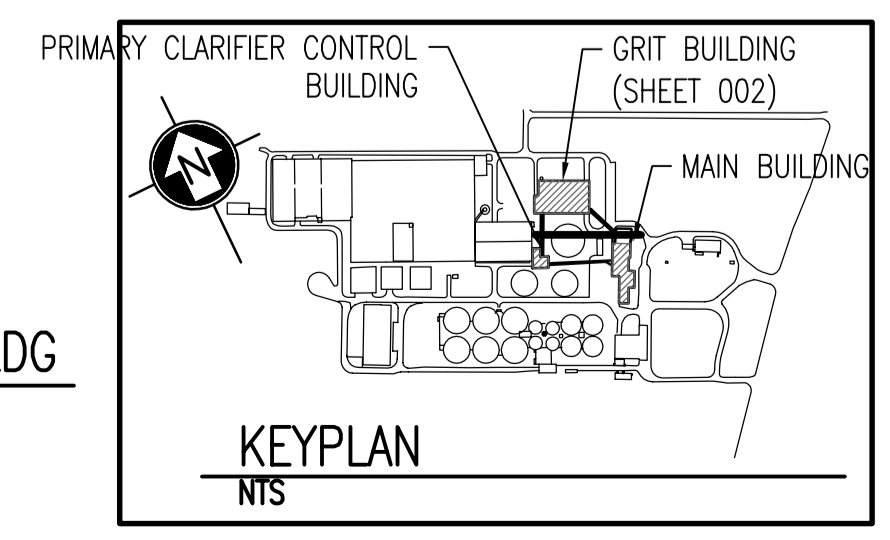
NO.	DRAWING NOTES
1	INSTALL NEW BANK 1 TECK CABLES ALONG ROUTE SHOWN. PROVIDE CABLE TRAY AND UNISTRUT SUPPORTS AS SHOWN ON DRAWING 1-0101M-A-E0011. MAINTAIN 12mm CLEARANCE FROM ALL WALLS AND CEILING SURFACES. MAINTAIN 300mm CLEARANCE ABOVE CABLE TRAY UNLESS NOTED OTHERWISE.
2	REPLACE EXISTING 500MCM BANK 1 & 2 CABLES WITH 2 PARALLEL 350MCM 5kV TECK CABLES IN THE EXISTING TRAY.
3	INSTALL EXPANSION JOINTS WHERE TRAY CROSS BUILDING EXPANSION JOINTS, AND AS REQUIRED TO ALLOW FOR THERMAL EXPANSION OF TRAY.
4	KEEP CABLES AS FAR AS POSSIBLE FROM EXISTING HOT WATER SUPPLY PIPING, WHILE MAINTAINING 1.05 CABLE DIAMETER SPACING BETWEEN CABLES.
5	MAINTAIN 1.05 CABLE DIAMETER SPACING BETWEEN CABLES AT ALL TIMES. TECK CABLE MUST BE STRAPPED TO SUPPORTING TRAY EVERY 1.5 METERS MINIMUM. WHERE TECK CABLE IS SUPPORTED BY UNISTRUT, STRAP CABLE TO UNISTRUT EVERY 0.5 METERS.



**A** GALLERY 3 SECTION AT MAIN BLDG  
1:30



**B** GALLERY 3 SECTION AT CLARIFIER CONTROL BLDG  
1:30



**KEYPLAN**  
N/S

B.M. ELEV.	FIELD BOOK #:	SNC • LAVALIN Engineers & Constructors		SNC • LAVALIN 148 Nature Park Way Winnipeg, Manitoba Canada R2P 0J7	
POSTED TO LBIS		DESIGNED BY C. REIMER	CHECKED BY C. ASMUNDSON	ENGINEER'S SEAL	
		DRAWN BY A. OLIVER	APPROVED BY C. REIMER	PRELIMINARY NOT TO BE USED FOR CONSTRUCTION	
		HOR. SCALE AS NOTED	RELEASED FOR CONSTRUCTION		
		VERTICAL AS NOTED		THE CITY OF WINNIPEG WATER AND WASTE DEPARTMENT	
00 ISSUED FOR TENDER	2007/06/22	YOM	DATE 2007/03/05	NORTH END WATER POLLUTION CONTROL CENTRE MAIN BUILDING FEEDER REPLACEMENTS SITE PLAN 5kV FEEDER ROUTE	
NO. REVISIONS	DATE	BY	FILENAME: 1-0101M-A-E0010-001-000.dwg	CITY DRAWING NUMBER 1-0101M-A-E0010	

**APEGM**  
Certificate of Authorization  
SNC-Lavalin Engineers & Constructors Inc. (MB)  
No. 2365 Expiry: April 30, 2008

**THE CITY OF WINNIPEG**  
WATER AND WASTE DEPARTMENT

CITY DRAWING NUMBER: 1-0101M-A-E0010

SHEET: 001 REV: 00 SIZE: D