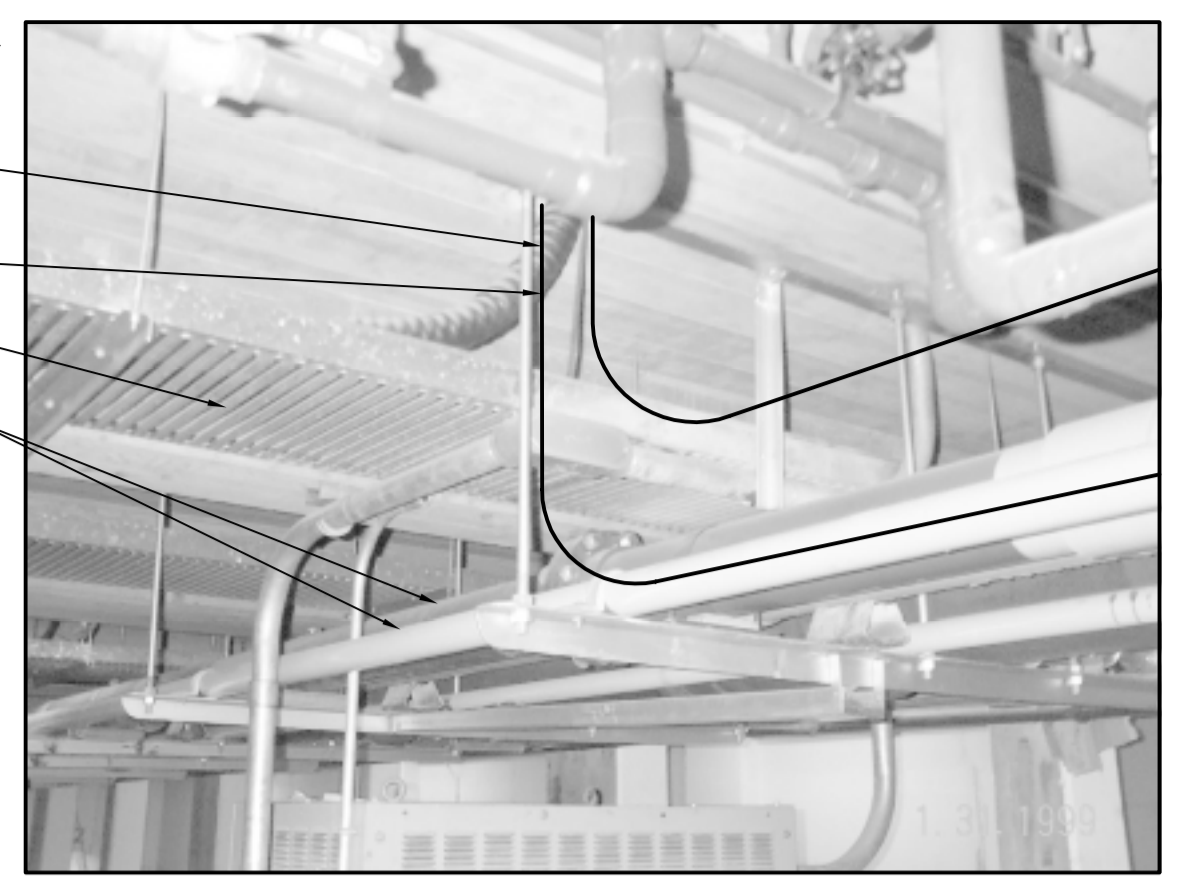
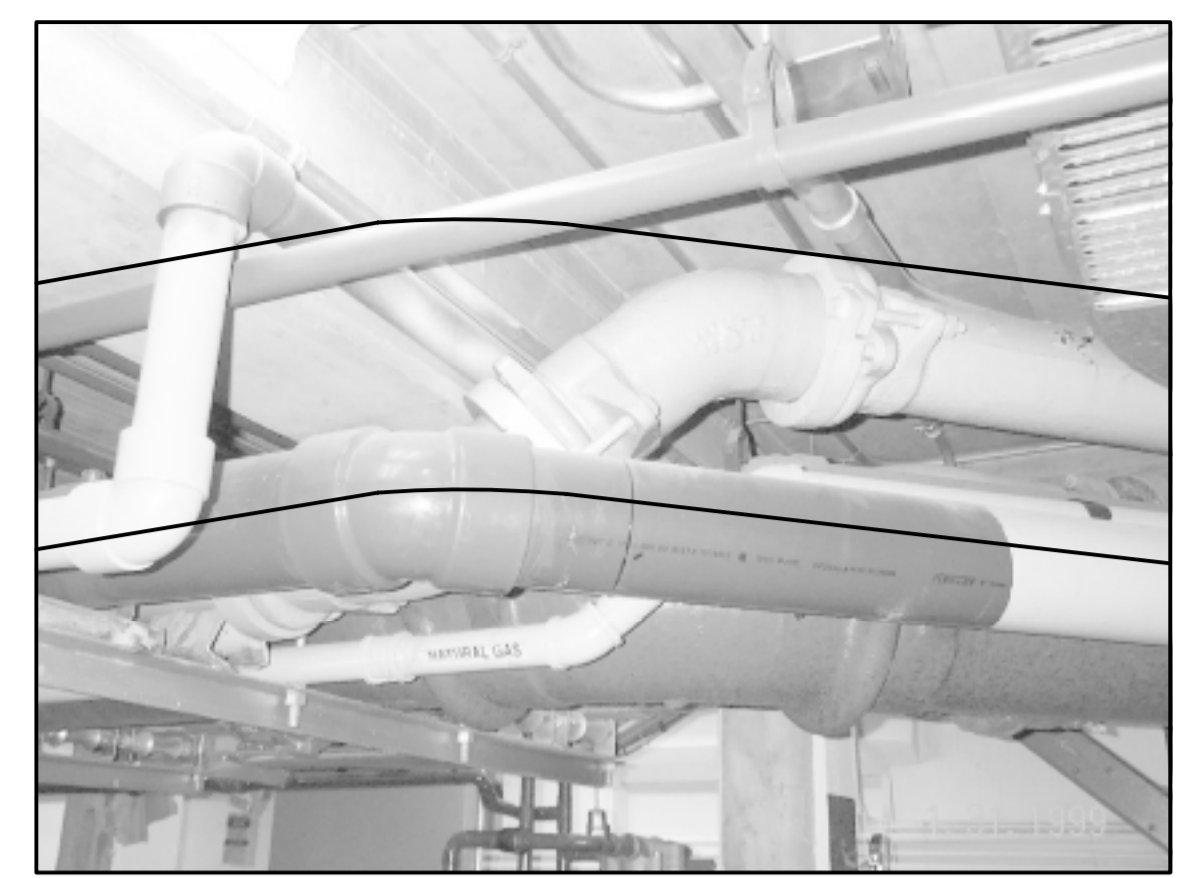


1 MAIN BUILDING PLAN
E010-001 1:50

- 5
- 1
- 2
- 3



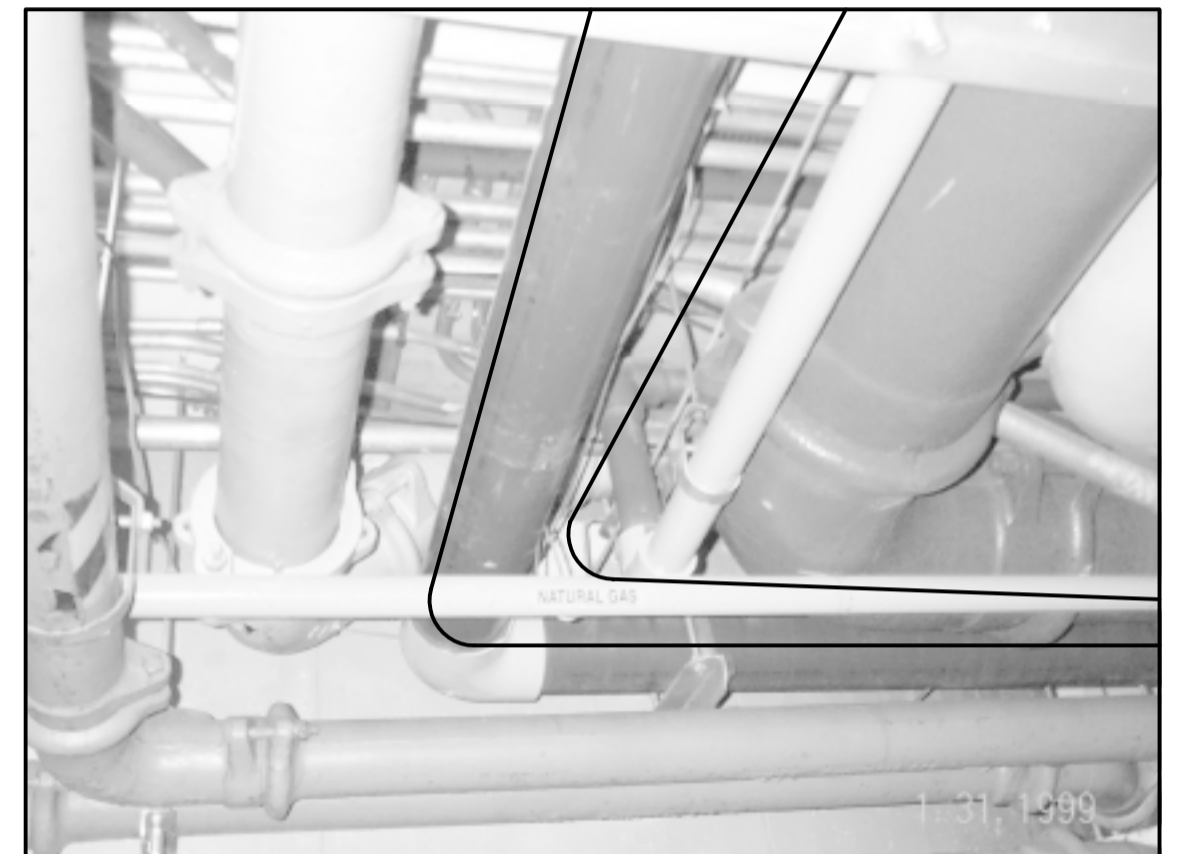
725 DETAIL



724 DETAIL



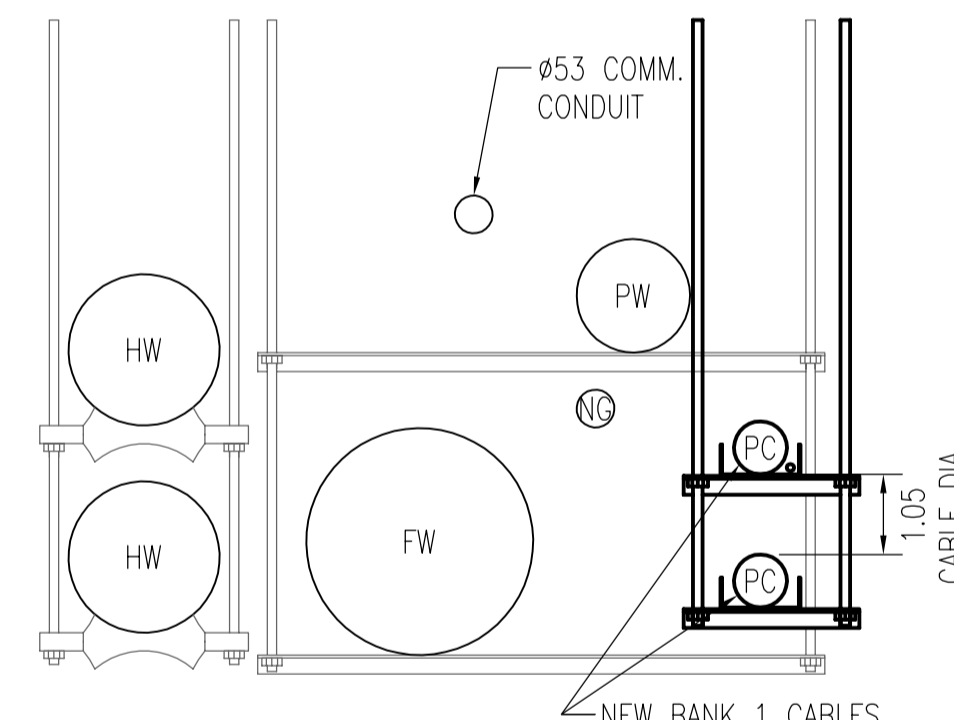
718 DETAIL



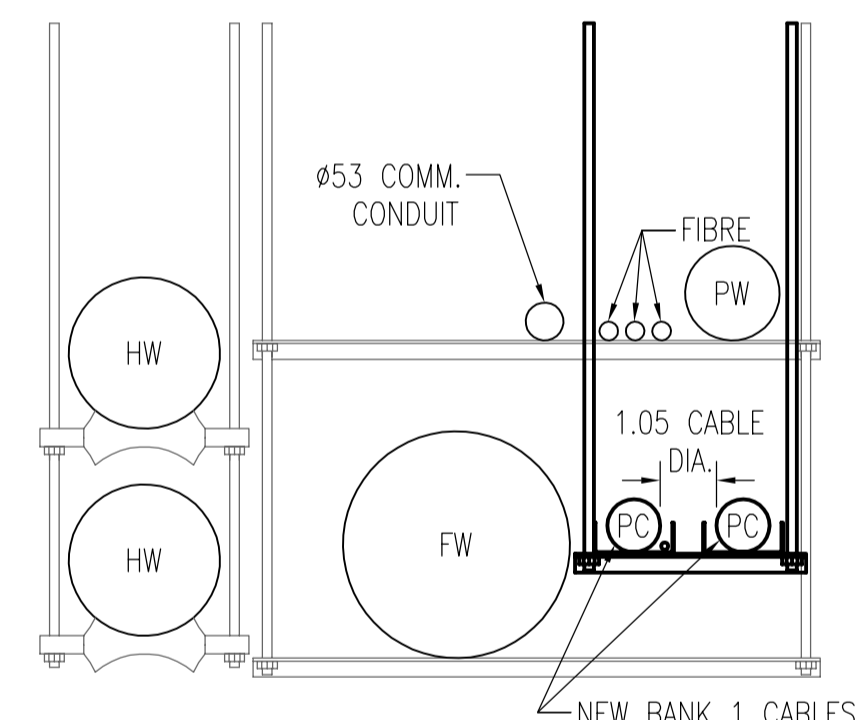
715 DETAIL



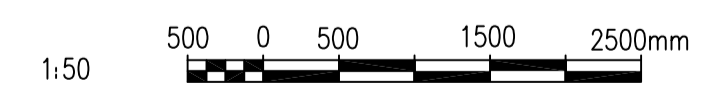
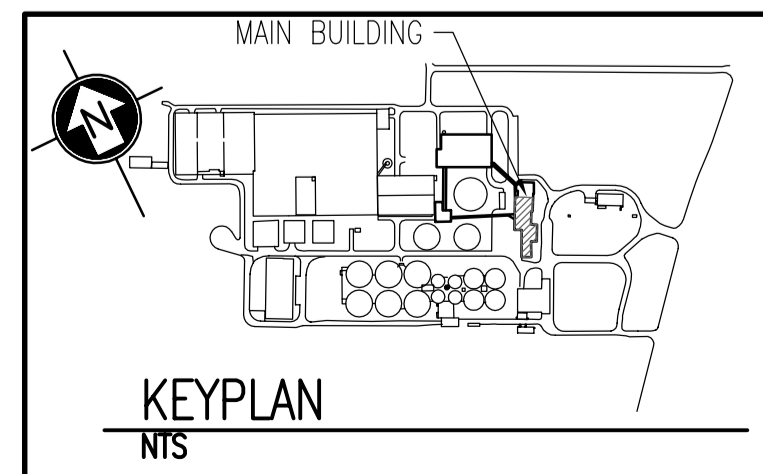
714 DETAIL



A PIPE RACK SECTION
1:10



B PIPE RACK SECTION
1:10



B.M. ELEV.	FIELD BOOK #:
POSTED TO LBIS	
DESIGNED BY C. REIMER	CHECKED BY C. ASMUNDSON
DRAWN BY A. OLIVER	APPROVED BY C. REIMER
HOR. SCALE 1:50	RELEASED FOR CONSTRUCTION
VERTICAL 1:50	
DATE 2007/03/08	DATE
ISSUED FOR TENDER 2007/06/22	YOM
NO. REVISIONS	DATE BY

SNC-LAVALIN
Engineers & Constructors

SNC-LAVALIN
148 Nature Park Way
Winnipeg, Manitoba
Canada R2P 0J7

ENGINEER'S SEAL

PRELIMINARY

NOT TO BE USED FOR CONSTRUCTION

THE CITY OF WINNIPEG
WATER AND WASTE DEPARTMENT

NORTH END WATER POLLUTION CONTROL CENTRE
MAIN BUILDING FEEDER REPLACEMENTS
CABLE ROUTING PLAN
BANK 1 - 5KV FEEDER

CITY DRAWING NUMBER: 1-0101M-A-E0011

SHEET: 001 REV: 00 SIZE: D

APEGM
Certificate of Authorization
SNC-Lavalin Engineers & Constructors Inc. (MB)
No. 2365 Expiry: April 30, 2008

NO.	DRAWING NOTES
1	IDENTIFY CABLES AS PER THE SPECIFICATIONS.
2	REMOVE EXISTING CABLE TRAY BELOW SWITCHGEAR LB3. SEE DRAWING 1-0101M-A-E0009-001.
3	EXISTING 150Ø AND 65Ø CHLORINE PIPING TO BE REMOVED AS SHOWN ON DWG. 1-0101M-A-E0009-001.
4	SUPPORT BANK 1 TECK CABLES ON CABLE CHANNELS AS SHOWN IN DETAIL 2 OF DRAWING 1-0101M-D-0012-001. MAINTAIN A MINIMUM OF 1.05 CABLE DIAMETER SPACING BETWEEN CABLES OVER THE ENTIRE ROUTE.
5	ROUTE NEW 3/0 AWG TECK CABLE, PNL-M7-P, UP TO MCC-M ABOVE.
6	INSTALL 300mm TRAY ABOVE EXISTING PIPE RACK.
7	PROVIDE NEW SUSPENDED CABLE SUPPORTS, UNLESS CAPACITY OF EXISTING SUPPORTS IS VERIFIED TO BE SUFFICIENT.