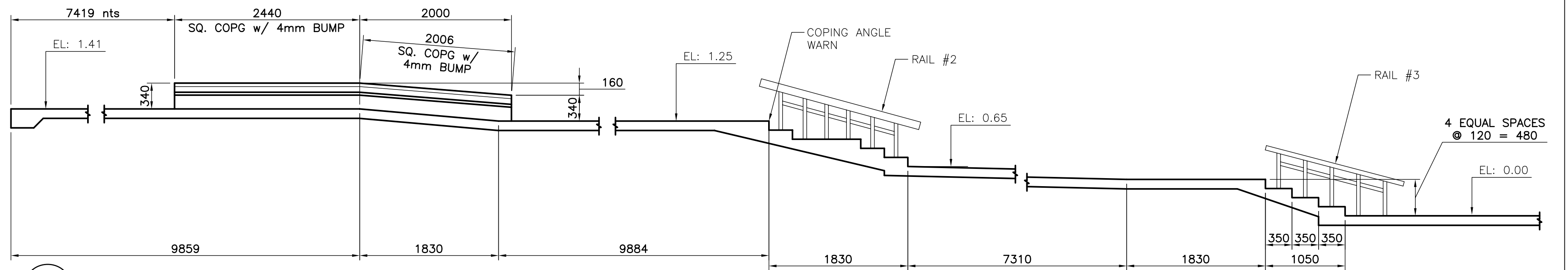
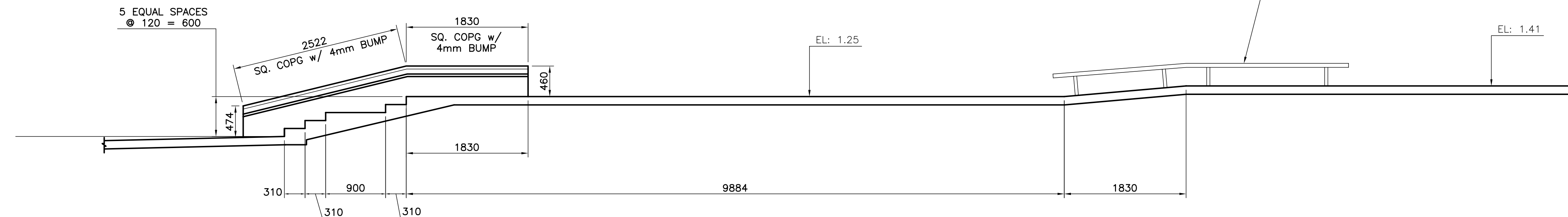


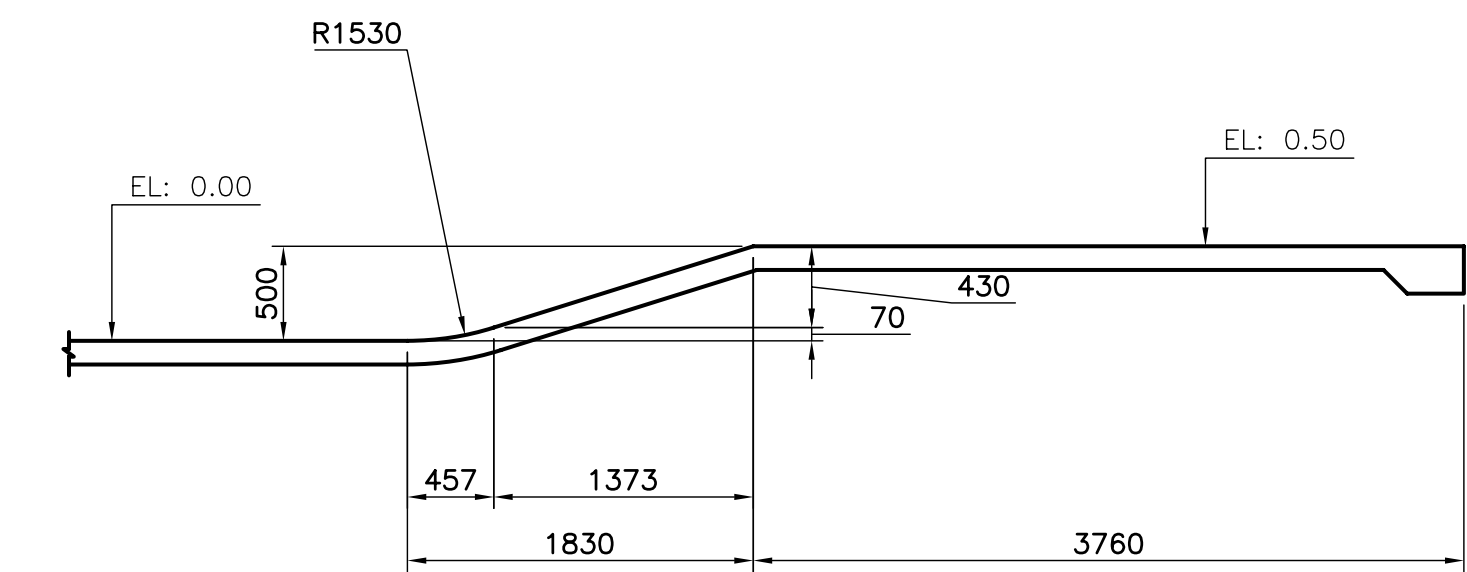
A
3.1



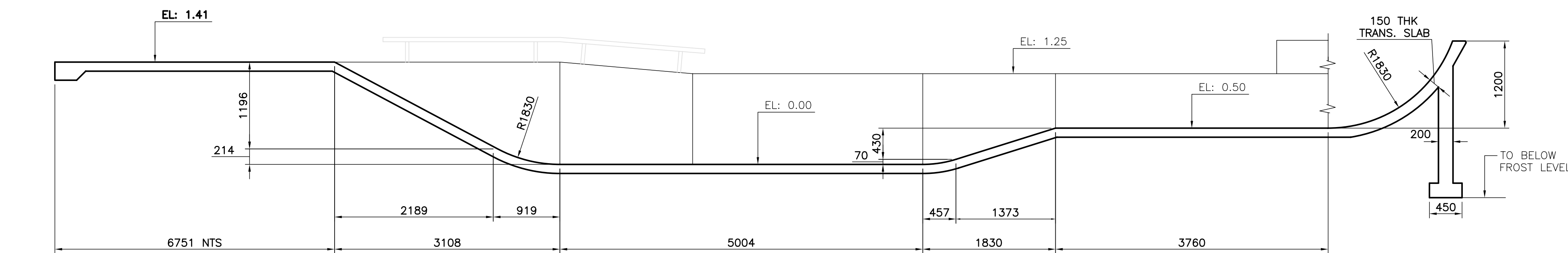
B
3.1



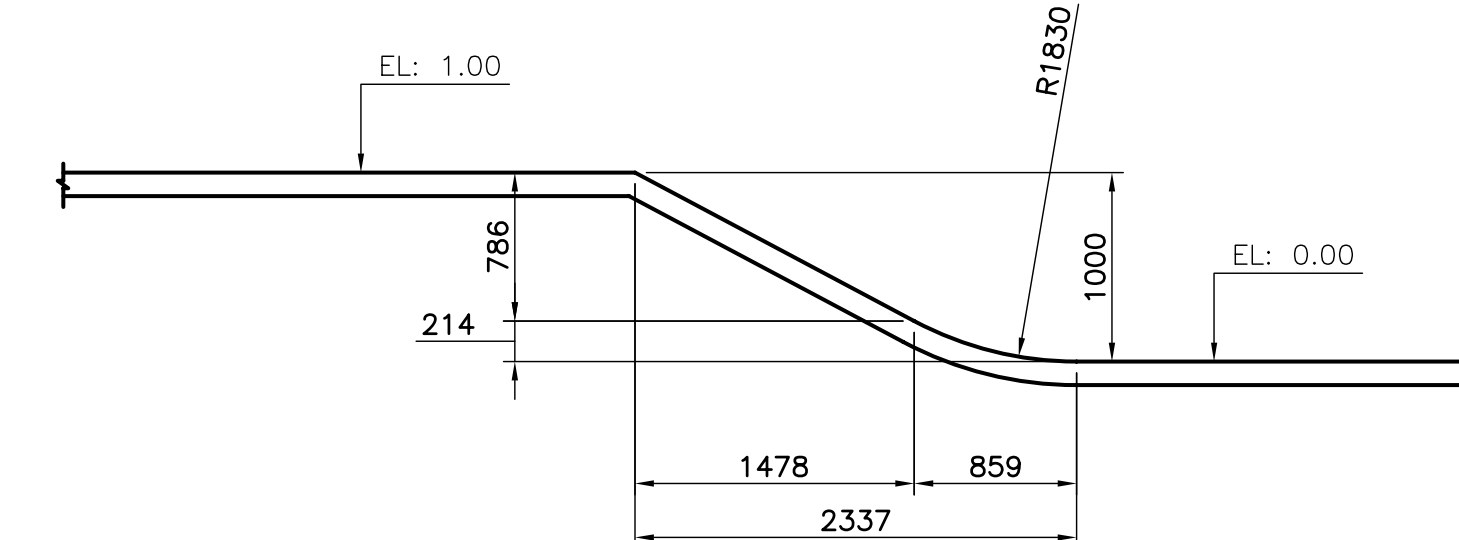
C
4.1



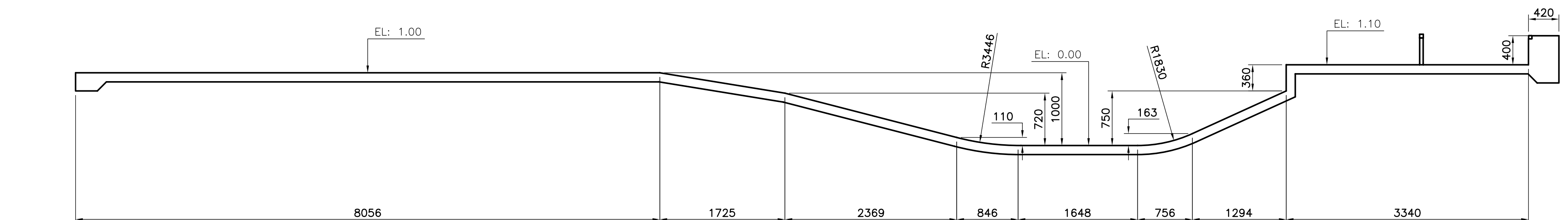
E
4.1



D
4.1



F
4.1



G
4.1

PROFESSIONAL ENGINEER
 PROVINCE OF BRITISH COLUMBIA
 Robert Harry Fulton
 P. Eng.
 May 28, 2007

NOTES:
 1. ALL ELEVATION IN METRES.
 2. SKATEPARK DATUM AT 0.00m ALL OTHER PARK ELEVATIONS ARE RELATIVE TO THIS DATUM
 3. FOR ADDITIONAL CLARITY OR INFORMATION ON DIMENSIONS REFER TO SECTIONS DRAWINGS WHICH ARE INDEXED ON TITLEPAGE.

SPECTRUM SKATEPARK CREATIONS LTD. AND FULTON ENGINEERING CO. LTD. ARE THE SOLE PROPRIETORS OF THE CONTENTS OF THIS DRAWING PACKAGE. DUPLICATION OF ANY OF THE CONTENTS OF THIS DRAWING PACKAGE WITHOUT PERMISSION FROM THE AFOREMENTIONED PARTIES IS STRICTLY PROHIBITED.

STRUCTURAL ENGINEERING CONSULTANT:

FULTON ENGINEERING COMPANY LTD.
 Phone: (604) 589-3455
 Cell: (604) 290-3455
 Email: r.fulton@fultonengineering.ca
 8605 Sunbury Place, V4C 3Y9
 Delta, British Columbia, Canada

PROJECT
FORT GARRY COMMUNITY CENTRE SKATEBOARD PARK, MANITOBA

TITLE:
SECTIONS A-G PAGE 1 of 3
 DESIGN BY: J.BARNUM
 DRAWN BY: G.GAN
 DATE: MAY/9/07
 SCALE: 1 = 40
 SHEET NO.: SK4.1

REVISIONS	DATE	BY
D		
C		
B		
A	MAY/28/07	MhR
NEW	MAY/9/07	MhR

