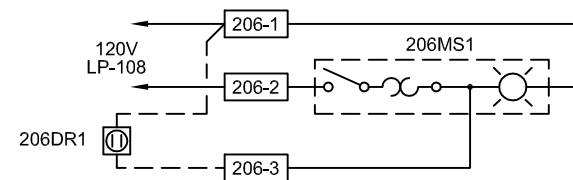
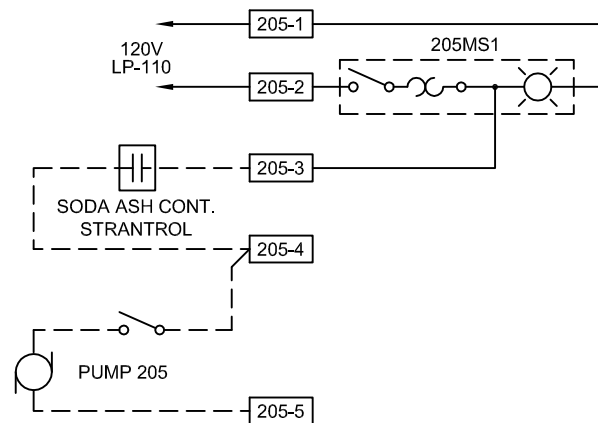


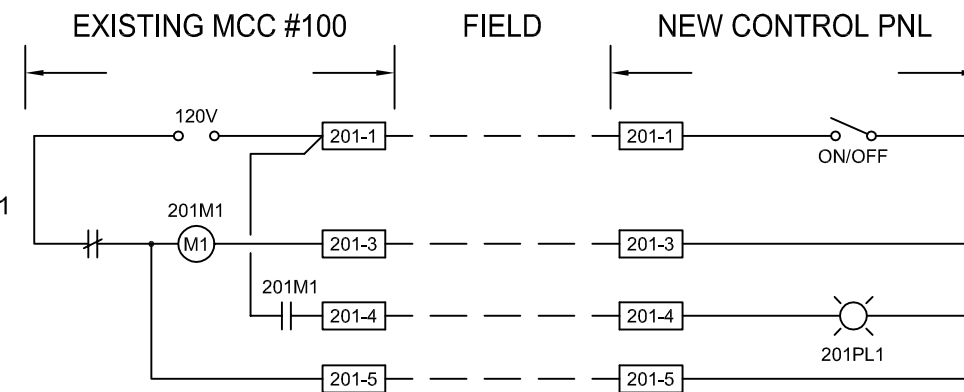
SODA ASH MIXER 206



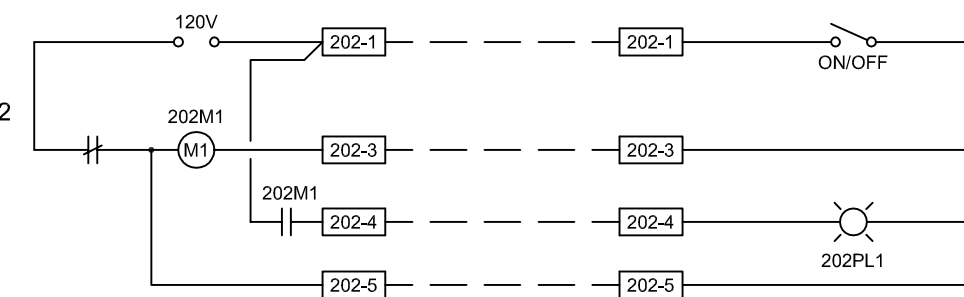
SODA ASH PUMP 205



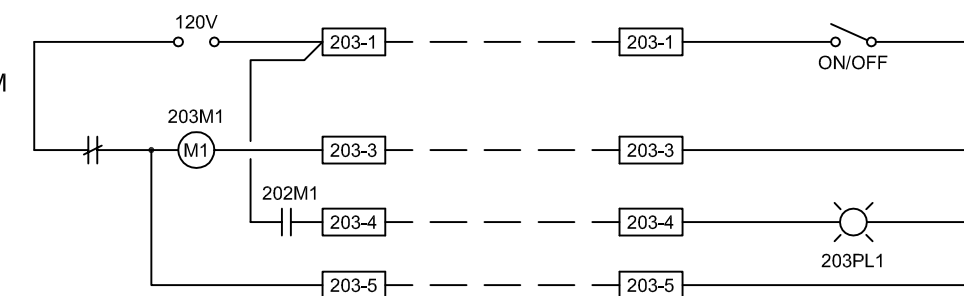
POOL FILTER CIRC PUMP 201



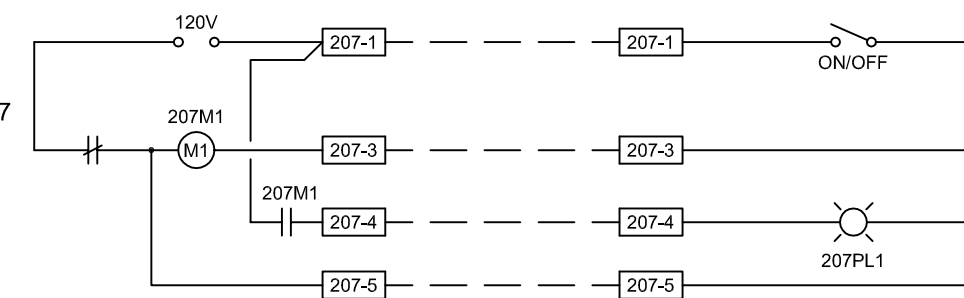
POOL FILTER CIRC PUMP 202



POOL VACUUM PUMP 203



RINK FLOOD CIRC PUMP 207



0 07/06/07 ISSUED FOR TENDER & CONSTRUCTION
No. DATE ISSUANCE
Seal



A.J. Dunsmore Engineering
CONSULTING ELECTRICAL ENGINEER
221 Kerr Ave., Dauphin, MB
R7N 3J5

Client

**CITY OF WINNIPEG
BUILDING SERVICES**

Project
CINDY KLASSEN RECREATION COMPLEX
POOL BOILER INSTALLATION
BID OPPORTUNITY# 434-2007

Sheet Title
ELECTRICAL
CONTROLS

SCALE : NTS
PROJECT NO: 2007-13

E-3