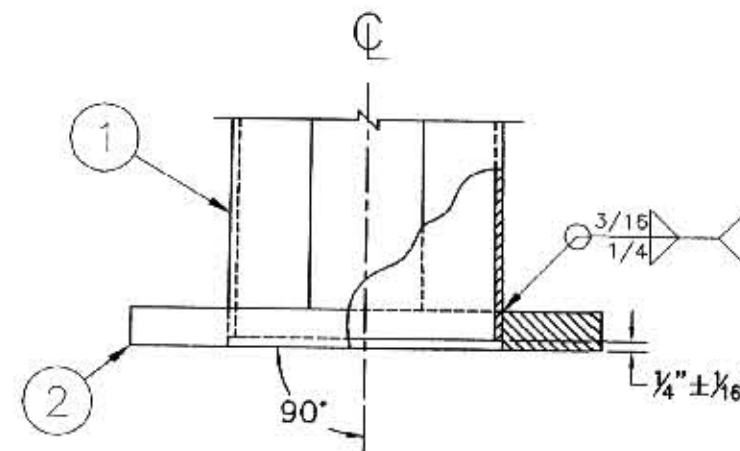
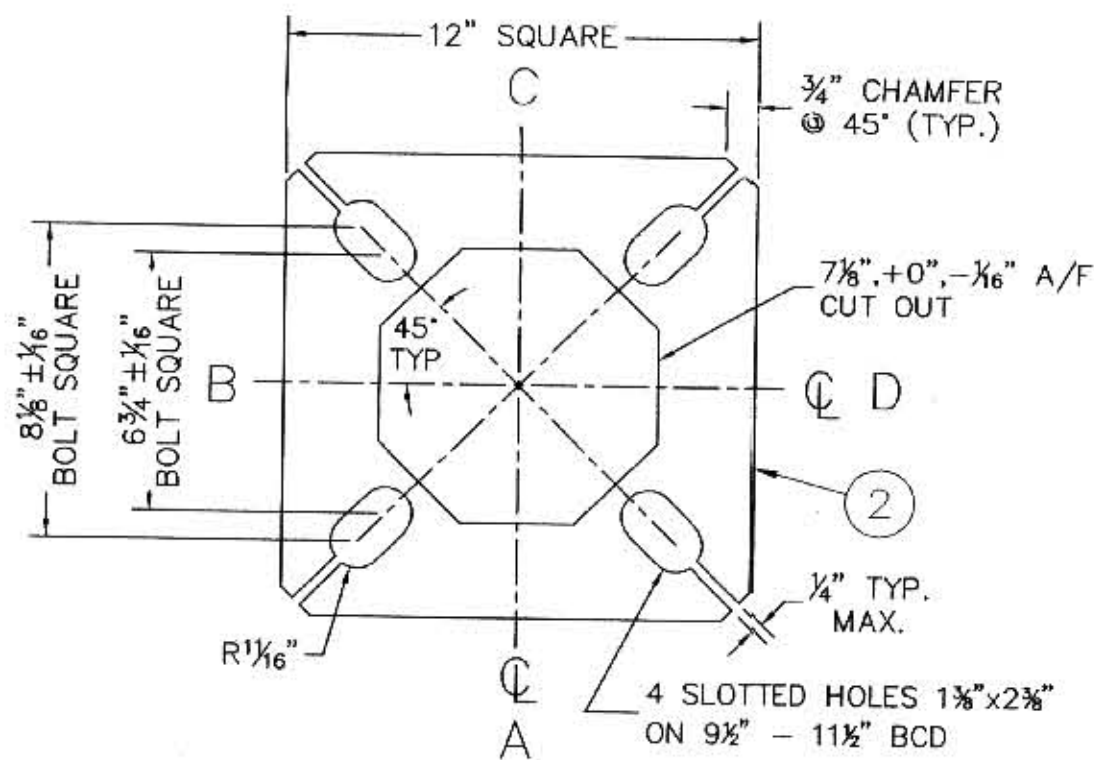


SECTION B-B
COVER NOT SHOWN



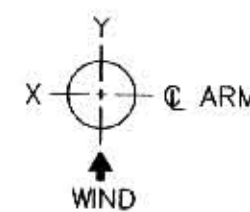
DETAIL "A"



BASE PLATE DETAIL

MAXIMUM UNFACTORED BASELOADS

MX	17626 lb.ft.
MY	3541 lb.ft.
TORSION	4605 lb.ft.
SHEAR X	212 lb.
SHEAR Y	1061 lb.
DEAD LOAD	602 lb.



ITEM No.	No. REQ'D	DESCRIPTION	MATERIAL	DWG No.
1	1	OCT. SECT. SHAFT 7" A/F TO 4 1/4" A/F EXTERIOR DIM.	7 GA. A570 GR.50	
2	1	BASE PLATE 12" SQUARE	1" PL. G40.21 44W	
3	1	ACCESS PANEL 4 3/4" x 24" (38 CIRCUIT) c/w COVER ASS'Y.		ST-164 & ST-111

FINISH:

HOT DIP GALVANIZE TO CSA STANDARD G164-M92 TO NET MINIMUM RETENTION OF 600 g/m². ALL AREAS OF DAMAGED GALVANIZING SHALL BE REPAIRED WITH SELF FLUXING LOW TEMPERATURE ZINC BASED ALLOY ROD. USE OF SPRAY ON COATINGS IS NOT ACCEPTABLE.

NOTES:

1. WELDING

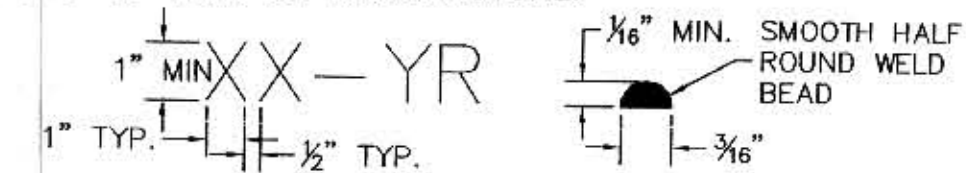
ALL WELDING SHALL CONFORM TO CSA STANDARD W59. FABRICATOR SHALL BE FULLY APPROVED BY THE CANADIAN WELDING BUREAU AS PER CSA STANDARD W47.1. LONGITUDINAL SEAM WELD SHALL HAVE 60% MINIMUM PENETRATION EXCEPT 6" FROM LOWER END AND 4" FROM UPPER END SHALL BE COMPLETE PENETRATION. THE START AND END OF COMPLETE PENETRATION LONGITUDINAL SEAM WELD SECTIONS SHALL BE SMOOTH AND FREE OF NOTCHES OR OTHER WELD DEFECTS. ACCESS OPENING RING TO SHAFT WELD SHALL HAVE AN EFFECTIVE THROAT EQUAL OR GREATER THAN THICKNESS OF SHAFT.

2. TOLERANCES

ALL ACROSS FLAT (A/F) ARE EXTERIOR DIMENSIONS. THE TOP OF SHAFT SHALL BE 4 5/16" +0", -1/8" A/F AND BOTTOM OF SHAFT SHALL BE 7", +0", -1/8" A/F. THE ALIGNMENT OF THE BASE PLATE TO THE POLE SHAFT SHALL BE ±1" AT THE TOP OF THE POLE SHAFT FROM PERPENDICULAR TO THE BASE PLATE.

3. IDENTIFICATION

WELD IDENTIFICATION CODE XX-YR, ON SHAFT WITHIN 24" OF BOTTOM OF SHAFT. XX IS THE POLE MANUFACTURERS CODE AND YR IS THE LAST TWO DIGITS OF YEAR OF MANUFACTURE.



4. ANCHOR RODS (NOT PART OF THIS CONTRACT)

DAVIT SHAFT WITH SINGLE 16' ARM AND DOUBLE ARMS SHALL USE FOUR 1" ANCHOR RODS ON 11 1/2" BCD. DAVIT SHAFT WITH SINGLE 8' OR 12' ARMS CAN USE FOUR 1" ANCHOR RODS ON 9 1/2" TO 11 1/2" BCD. NOTE: ANCHOR RODS ARE NOT TO BE DELIVERED AS PART OF THIS ORDER.

3	APRIL 26, 2004	REDRAWN, ADDED SHEET 2 AND ARMS SHOWN ON SEPARATE DRAWING	
REV. No.	DATE	REVISIONS	APPROVED

THE CITY OF WINNIPEG
PUBLIC WORKS DEPARTMENT
TRANSPORTATION DIVISION

GES ENGINEERING INC.
CALGARY, AB. PHONE (403) 240-2921 FAX (403) 240-3713

TRAFFIC SIGNAL LIGHT DUTY DAVIT POLE SHAFT

DESIGNED AND APPROVED P. Selme G.E.S. Engineering Inc. July 23, 2004	DRAWN G.G.	DWG No. ST-161
DATE MARCH 12, 2004	SCALE NTS	SHEET 1 OF 2
		REV. No. 3