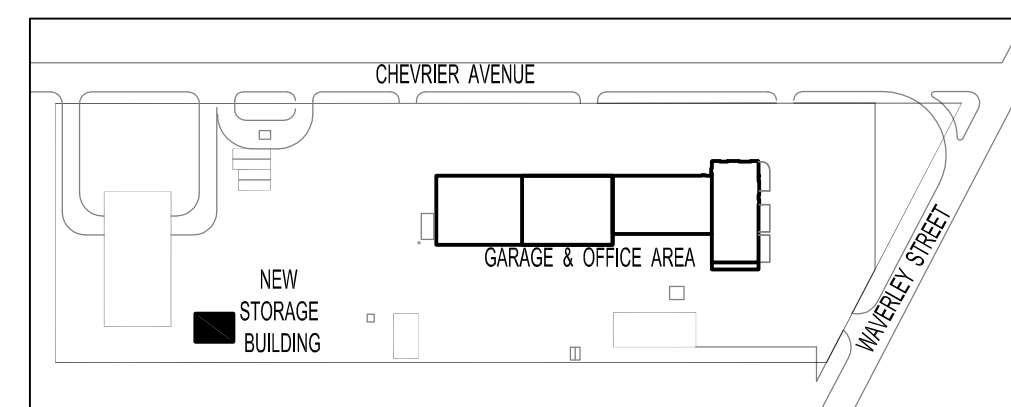
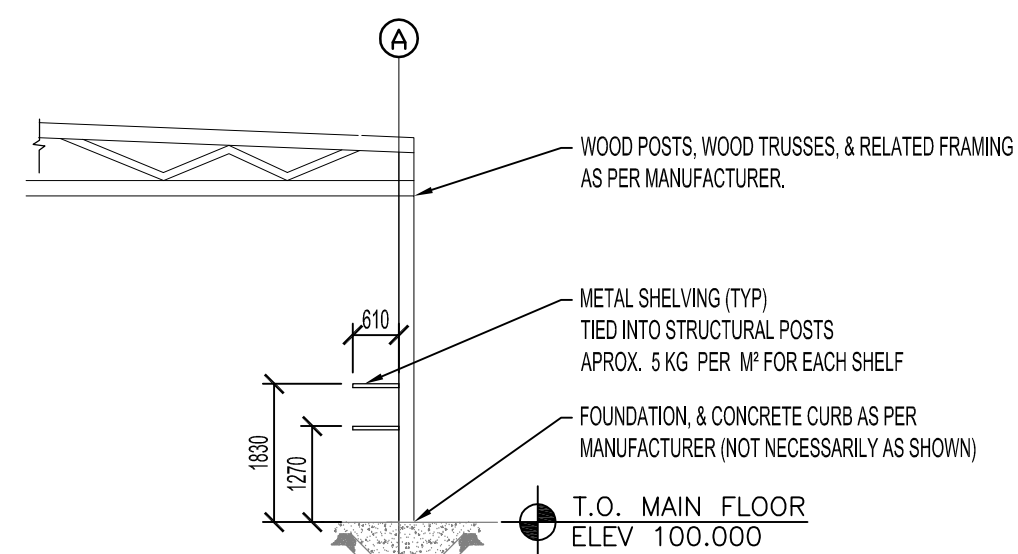


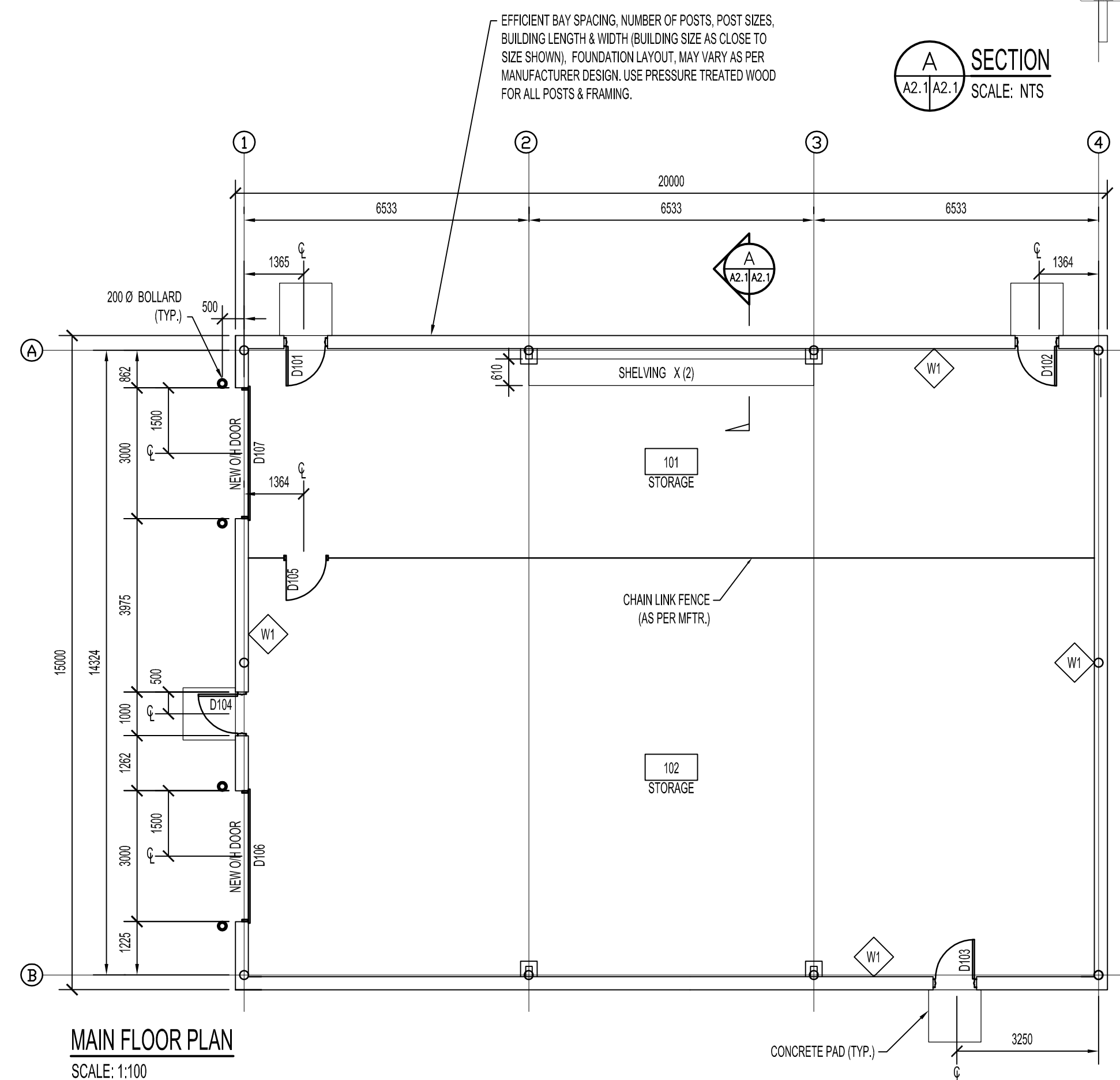
FILE NAME: 06063-STO-A2.dwg  
 DATE: 2007 Apr 12  
 DESCRIPTION: STORAGE- MAIN FLOOR PLAN, ELEVATIONS, DOOR & FINISH SCHEDULES  
 PROJECT No: 06063  
 ADDRESS: 1539 Waverley Street, Winnipeg, MB



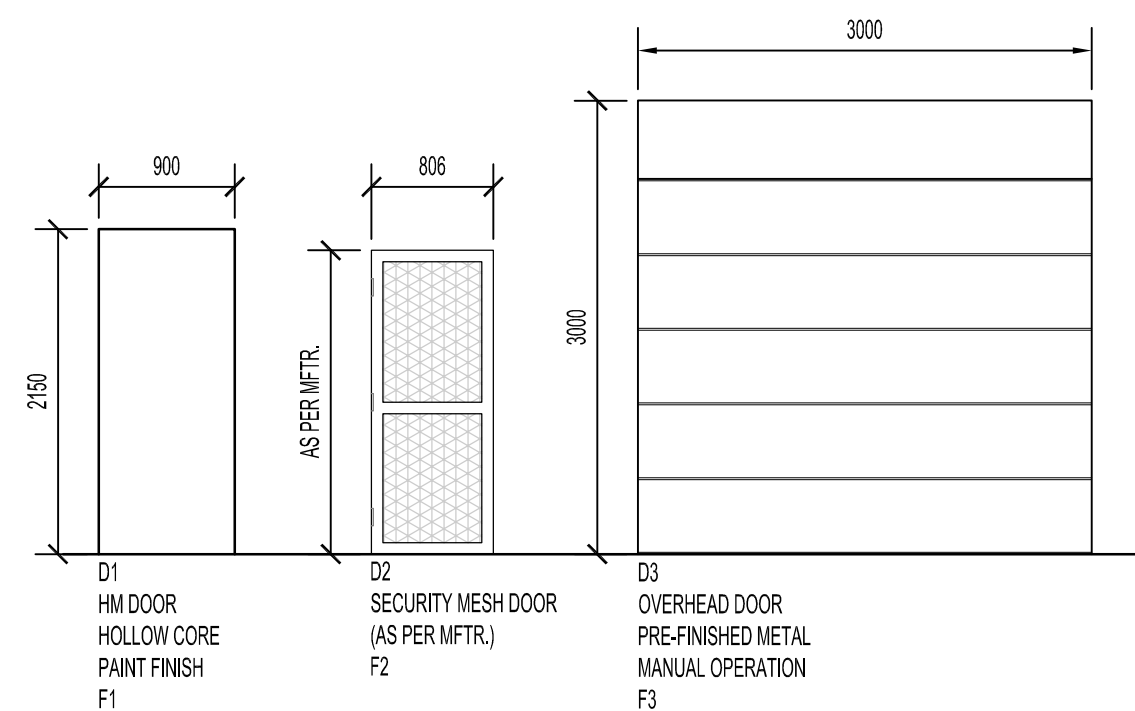
KEY PLAN  
SCALE: NTS



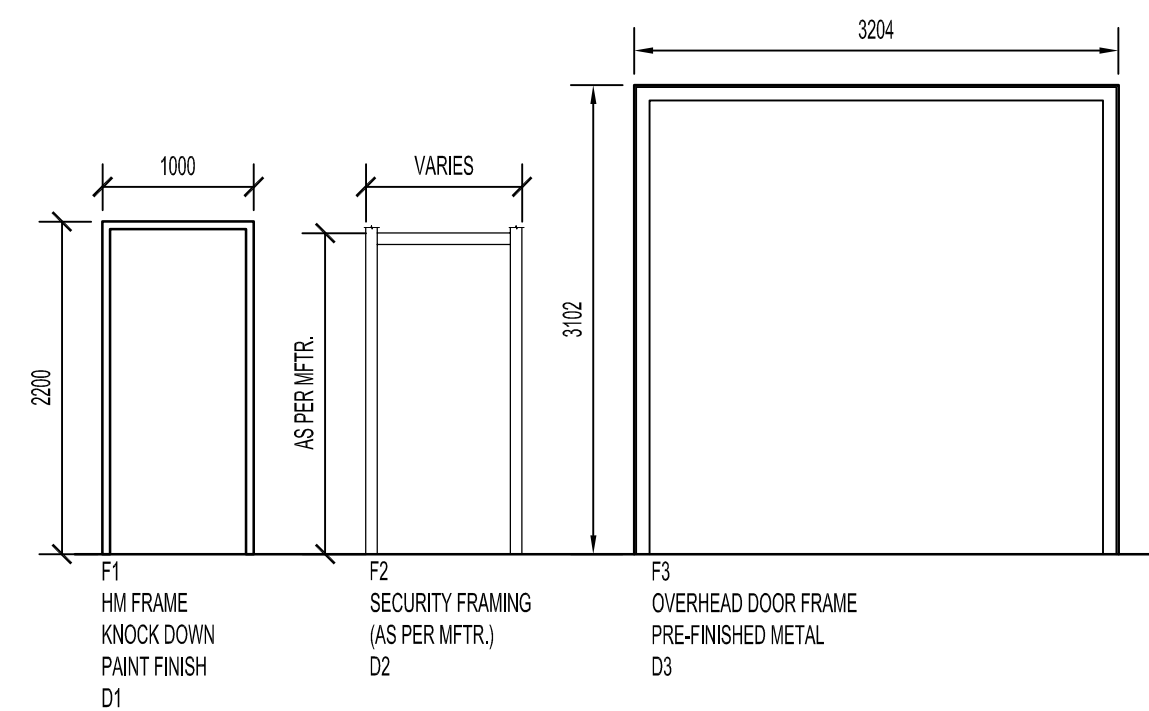
SECTION A-A  
SCALE: NTS



MAIN FLOOR PLAN  
SCALE: 1:100



DOOR TYPES  
SCALE: 1:50



FRAME TYPES  
SCALE: 1:50

LEGEND	
ASPH	ASPHALT
PT	PAINTED
HM	HOLLOW METAL
PFM	PRE-FINISHED METAL
ALUM	ALUMINUM
STL	STEEL
CONC	CONCRETE

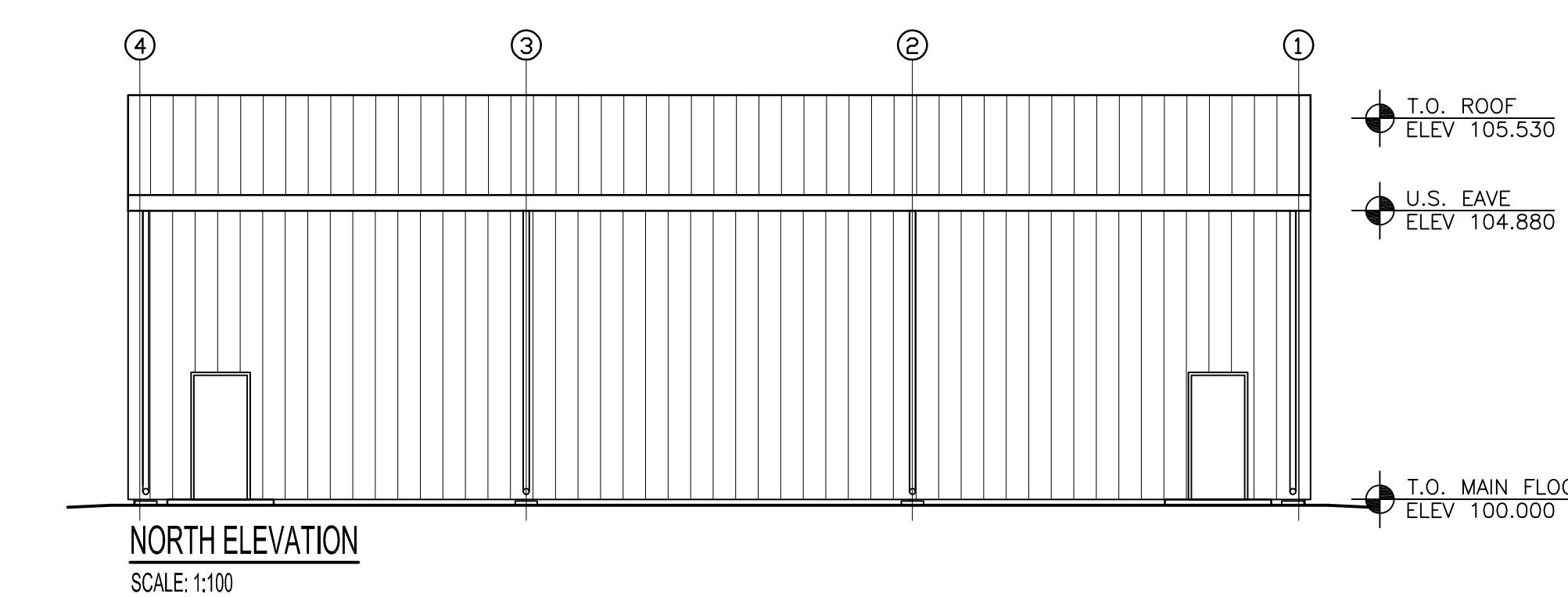
ROOM NO.	ROOM NAME	FLOOR		WALLS				CEILING		COMMENTS
		FLOORING	BASE	NORTH	EAST	SOUTH	WEST	MAT FINISH	COLOUR	
101	STORAGE	ASPH	CONC	PFM	PFM	PFM	PFM	PFM	PFM	
102	STORAGE	ASPH	CONC	PFM	PFM	PFM	PFM	PFM	PFM	

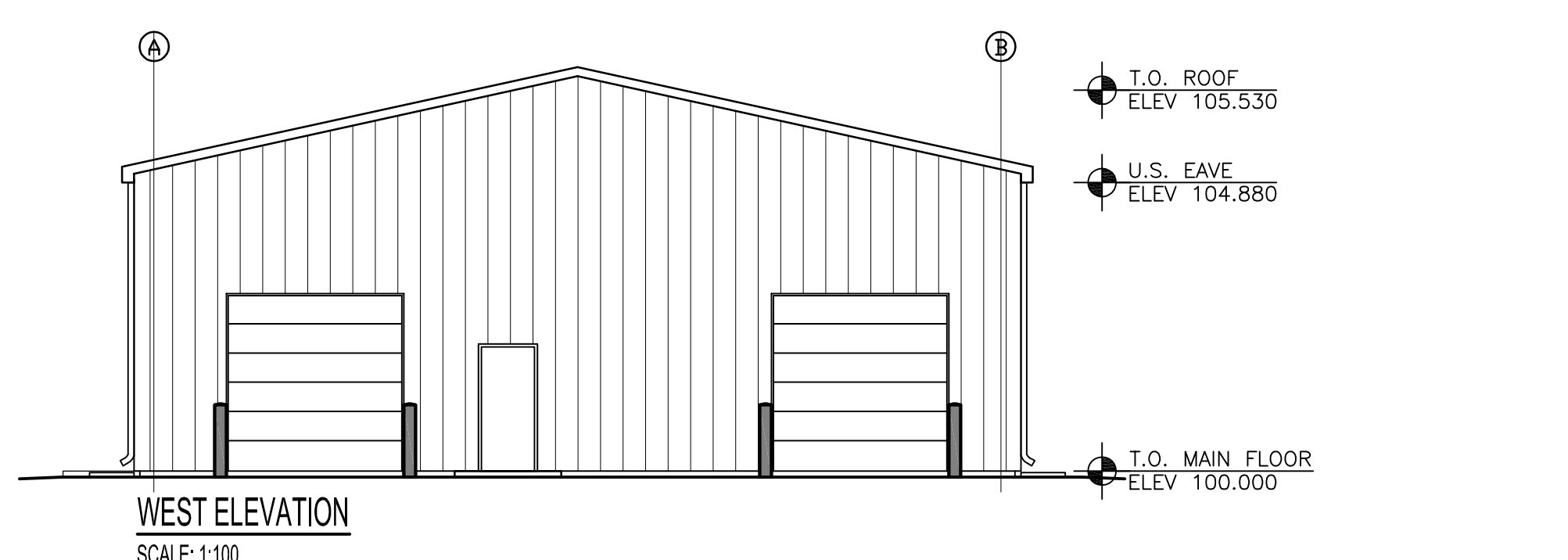
DOOR NO.	TO ROOM	SIZE	SWING	TYPE	FRAME		HM/PT	FIRE RATING	GRILLES	COMMENTS
					MAT	CORE FINISH COLOUR				
D101	STORAGE ROOM 101	5060x2150	RH	D1	HM	PT	1			
D102	STORAGE ROOM 101	5060x2150	LH	D1	HM	PT	1			
D103	STORAGE ROOM 102	5060x2150	LHR	D1	HM	PT	1			
D104	STORAGE ROOM 102	5060x2150	LHR	D1	HM	PT	1			
D105	STORAGE ROOM 101 & 102	5060x2150	RH	D2	STL					AS PER MFR.
D106	STORAGE ROOM 102	3000 W x 3000 H x 102	-	D3	ALUM	PFM				
D107	STORAGE ROOM 101	3000 W x 3000 H x 102	-	D4	ALUM	PFM				

HARDWARE GROUP SCHEDULE	
GROUP 1	
45 MIN FR	(3) HINGES (GENERAL LATCHED)
	- PASSAGE SET
	- CLOSER

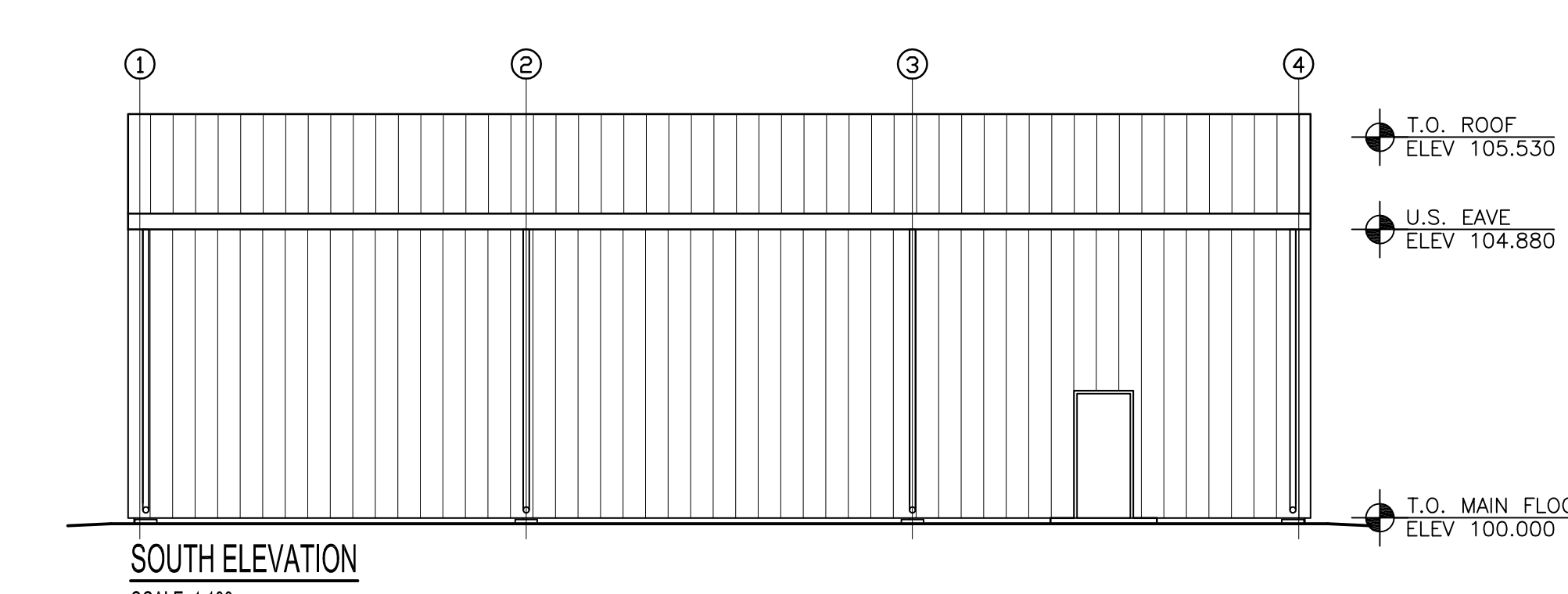
WALL SCHEDULE	
W1	38 mm METAL CLADDING Z BARS @ 610 mm HORIZ. 152 mm STEEL STUDS @ 400 O/C



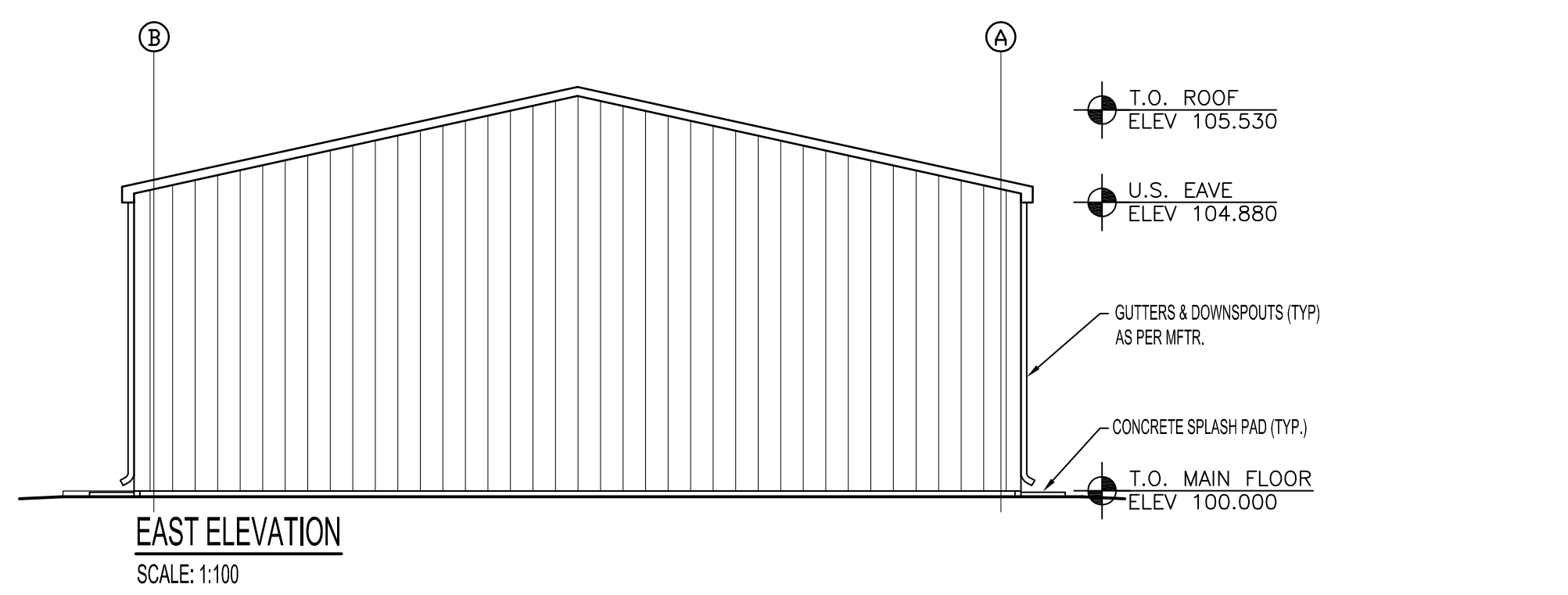
NORTH ELEVATION  
SCALE: 1:100



WEST ELEVATION  
SCALE: 1:100



SOUTH ELEVATION  
SCALE: 1:100



EAST ELEVATION  
SCALE: 1:100

**NOTES :**  
 THESE DRAWINGS SHALL NOT BE SCALED.  
 THE CONTRACTOR SHALL VISIT THE SITE AND SATISFY ONESELF ALL DIMENSIONS, DATUM, AND DETAILED INFORMATION SHOWN ARE CORRECT.  
 THE CONTRACTOR IS TO REVIEW AND COORDINATE ALL ARCHITECTURAL, MECHANICAL, ELECTRICAL AND STRUCTURAL DRAWINGS FOR ADDITIONAL OPENINGS THROUGH FLOORS, WALLS, AND CEILINGS FOR DUCT, PIPE & ELECTRICAL RISERS AND ALL OPENINGS NOT SHOWN ON DRAWINGS.  
 ALL OPENINGS THROUGH FIRE ASSEMBLIES ARE TO BE FIRE STOPPED AND SEALED WITH ULC APPROVED FIRE STOPPING TO MAINTAIN THE INTEGRITY OF THE FIRE SEPARATION, AND PROVIDE A SMOKE-TIGHT BARRIER.  
 ALL PRODUCTS AND MATERIALS TO BE USED AND INSTALLED SHALL CONFORM WITH MANUFACTURER'S SPECIFICATIONS & APPLICABLE CODES.  
 THE CONTRACTOR SHALL BE RESPONSIBLE TO PATCH AND MAKE GOOD ALL EXISTING CONSTRUCTION AFFECTED BY THE REMOVAL OF ALL ITEMS FORMING THE PART OF THE RENOVATION WORK.  
 WHERE NEW FLOORING AND BASE IS TO BE INSTALLED IN EXISTING AREAS (REFER TO FLOOR PLAN AND ROOM SCHEDULE) THE EXISTING FLOORING SURFACE AND BASE MUST BE REMOVED, UNLESS OTHERWISE NOTED. ALL FLOOR SURFACES SHALL BE PREPARED IN ACCORDANCE TO MANUFACTURER'S RECOMMENDATIONS FOR INSTALLATION OF NEW FLOOR.  
 WHERE PAINTING OF EXISTING WALLS IS INDICATED ON THE ROOM SCHEDULE, THESE WALLS MUST BE CLEANED OF ANY EXISTING WALL COVERING, PATCHED & PREPARED TO ACCEPT NEW MATERIAL, UNLESS OTHERWISE NOTED.

**GENERAL NOTE:**  
 ALL ASPECTS OF POST-BEAM METAL CLAD COMMERCIAL COLD STORAGE BUILDING BAY SIZES, TRUSSES, DOOR OPENINGS, DOORS, FRAMING, COMPACT GRANULAR BASE, 3" ASPHALT FOR TOTAL MAIN FLOOR AREA, AND RELATED FOUNDATION REQUIREMENTS AT BASE OF WOOD POSTS, CURBS, ETC. AS PER MANUFACTURER.  
 INCLUDE SEALED ENGINEERING BLUE PRINT DRAWINGS, PLUS ERECTING OF STRUCTURE, ALL SPLASH-PADS AT DOWNSPOUTS, ALL CONCRETE PADS AT EACH MAIN FLOOR LOCATION, SHELVING, AND TWO BOLLARDS AT EACH OVERHEAD DOOR.

NO.	REVISION/DESCRIPTION	BY	DATE
02	ISSUED FOR TENDER	DG	NOV 2007
01	FINAL REVIEW	DG	OCT 1907

DRAWN BY	CAD	CHECKED BY	APPROVED

DATE: 2007 Apr 12 USER APPROVAL

CITY OF WINNIPEG  
 PLANNING, PROPERTY & DEVELOPMENT DEPARTMENT  
 CIVIC ACCOMMODATIONS DIVISION  
 300 - 65 GARRY ST. R3C 4K4

PROJECT  
**CONSTRUCTION OF OFFICE/GARAGE RENOVATIONS & STORAGE BUILDING AT 1539 WAVERLEY STREET**  
 1539 Waverley Street, Winnipeg, MB

SHEET TITLE  
**NEW POST-FRAME STORAGE BUILDING - MAIN FLOOR PLAN, ELEVATIONS, DOOR & FINISH SCHEDULE**

SCALE	PROJECT NO.	SHEET NO.
AS SHOWN	06063	STO - A2.1

DRAWING SHEET SIZE: A1 (841mm x 594mm) PLOT 1:1