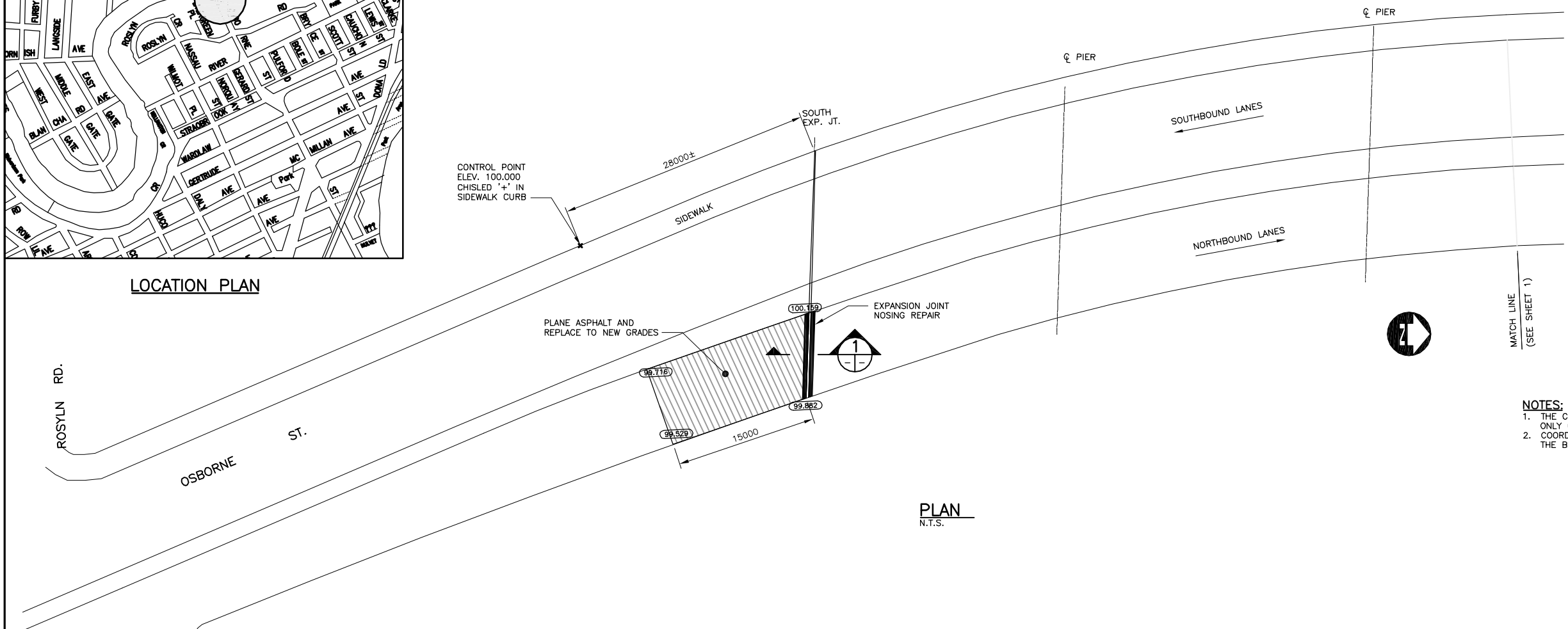
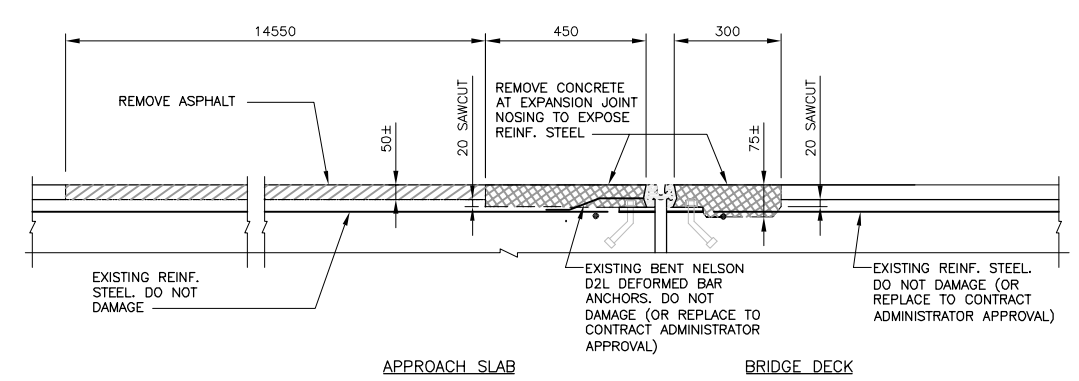


LOCATION PLAN

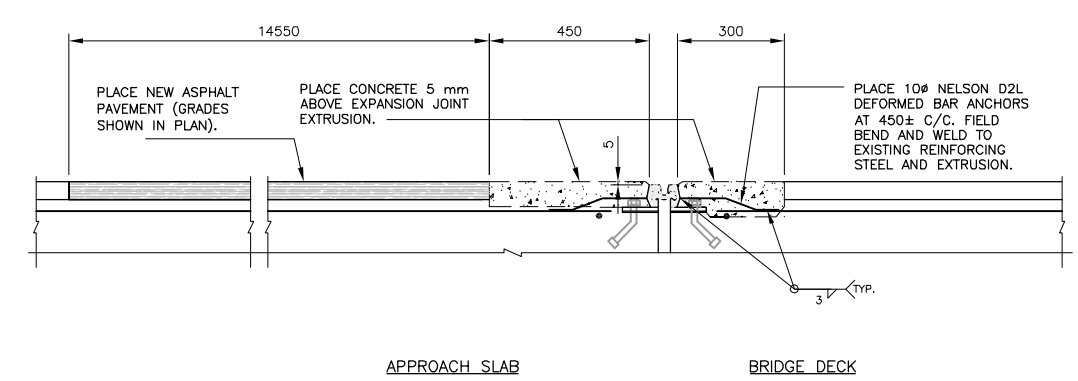


PLAN
N.T.S.

- NOTES:**
1. THE CONTRACTOR WILL BE ALLOWED TO CLOSE ONLY ONE TRAFFIC LANE AT A TIME.
 2. COORDINATE LANE CLOSURES AT BOTH ENDS OF THE BRIDGE.



APPROACH SLAB BRIDGE DECK
EXISTING



APPROACH SLAB BRIDGE DECK
PROPOSED

SECTION 1
1:10



**DRAWING REDUCED
NOT TO SCALE**

B.M. ELEV. 100.000	DESIGNED BY MRD
	DRAWN BY MRD
	CHECKED BY RAW
	APPROVED BY RAW
1 ISSUED FOR TENDER 07/06/20 MRD	HOR. SCALE hor.
0 ISSUED FOR CITY REVIEW 07/06/13 MRD	VERTICAL ver.
NO. REVISIONS DATE BY DATE	JUNE 2007

DILLON CONSULTING

ENGINEER'S SEAL
PROVINCE OF MANITOBA
ORIGINAL STAMPED BY
R.A. WIEBE
07/06/20
REGISTERED PROFESSIONAL ENGINEER

RELEASED FOR CONSTRUCTION
ORIGINAL SIGNED BY B.A. NEIRINCK
DATE

CONSULTANT PROJECT NO.
07-7519-1000

THE CITY OF WINNIPEG
PUBLIC WORKS DEPARTMENT

2007 BRIDGE MAINTENANCE
OSBORNE STREET BRIDGE
AT ASSINIBOINE RIVER

MISCELLANEOUS CONCRETE & ASPHALT
REPAIRS
SHEET 1 OF 2

CITY DRAWING NUMBER
B109-07-01
SHEET 1 OF 2

BID OPP. NO
469-2007