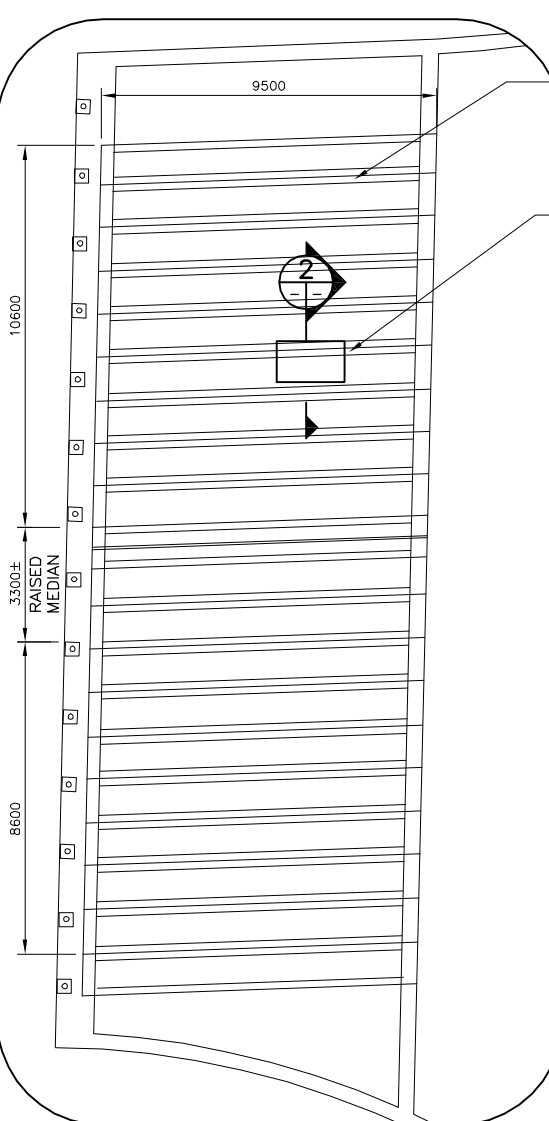
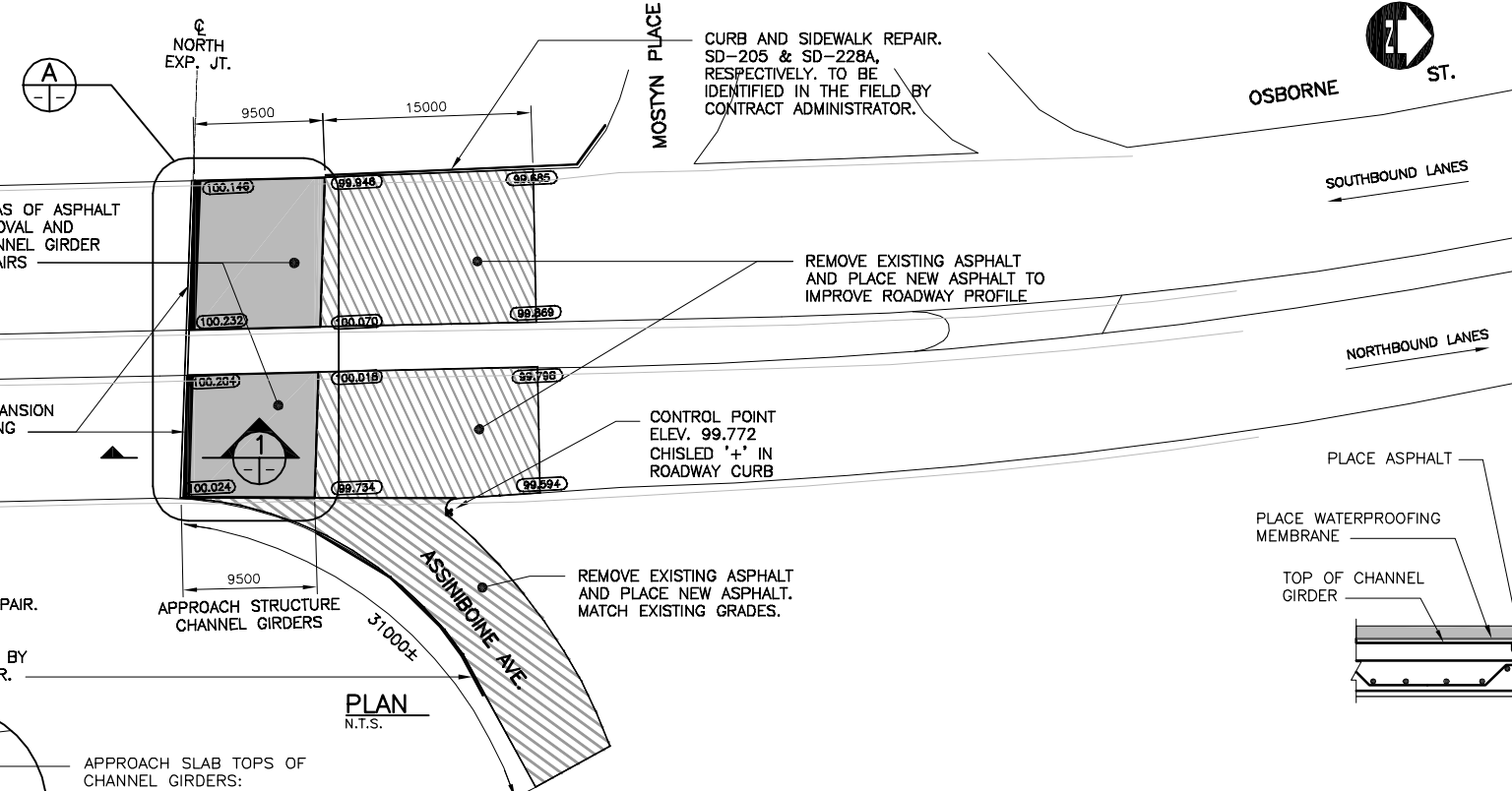


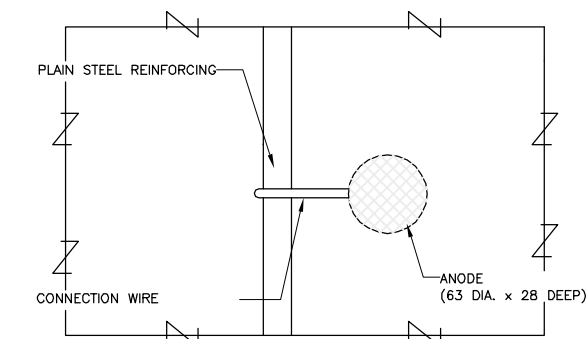
- CHANNEL GIRDER REPAIR PROCESS (SEE DETAIL 'A'):**
1. PLANE AND/OR HAND REMOVE ASPHALT AREA TO EXPOSE TOP OF CONCRETE GIRDERS (APPROX DEPTH = 50mm). DO NOT DAMAGE CHANNEL GIRDERS.
 2. LAYOUT CONCRETE REPAIR AREAS IN FIELD WITH CONTRACT ADMINISTRATOR IN FIELD.
 3. SAWCUT MIN 20mm DEEP AROUND PERIMETER OF REPAIR AREA.
 4. REMOVE ALL FRACTURED OR DETERIORATED CONC. TO A MIN. DEPTH OF 50mm OR TO THE DEPTH OF DETERIORATION, WHICHEVER IS GREATER. DO NOT DAMAGE EXISTING REINFORCING STEEL.
 5. PLACE ANODES AROUND PERIMETER AND SPACE 500± mm APART.
 6. PLACE CONCRETE AS SPECIFIED.
 7. INSTALL WATERPROOFING MEMBRANE.
 8. RESURFACE WITH ASPHALT.



APPROACH STRUCTURE - CHANNEL GIRDERS
DETAIL A
1:100

APPROACH SLAB TOPS OF CHANNEL GIRDERS: (CONTRACT ADMINISTRATOR TO INSPECT AND IDENTIFY AREAS REQUIRING REPAIRS)

TYPICAL CONCRETE REPAIR AREA (SIZE AND SHAPE MAY VARY BUT WILL BE GENERALLY A RECTANGLE)



ANODE TO REBAR TYP. CONNECTION DETAIL
N.T.S.

DRAWING REDUCED NOT TO SCALE

CURB AND SIDEWALK REPAIR. SD-205 & SD-228A, RESPECTIVELY, TO BE IDENTIFIED IN THE FIELD BY CONTRACT ADMINISTRATOR.

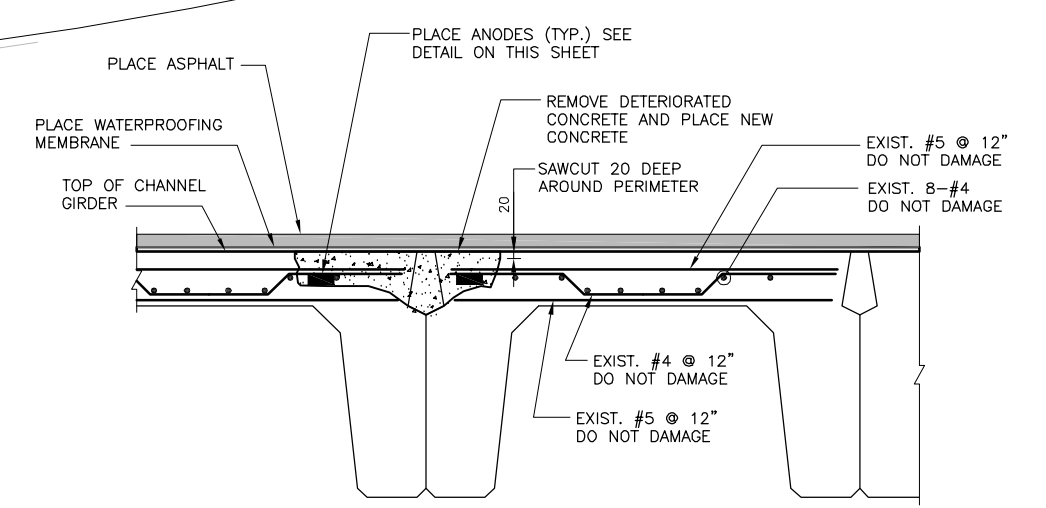
REMOVE EXISTING ASPHALT AND PLACE NEW ASPHALT TO IMPROVE ROADWAY PROFILE

CONTROL POINT ELEV. 99.772 CHISLED '+' IN ROADWAY CURB

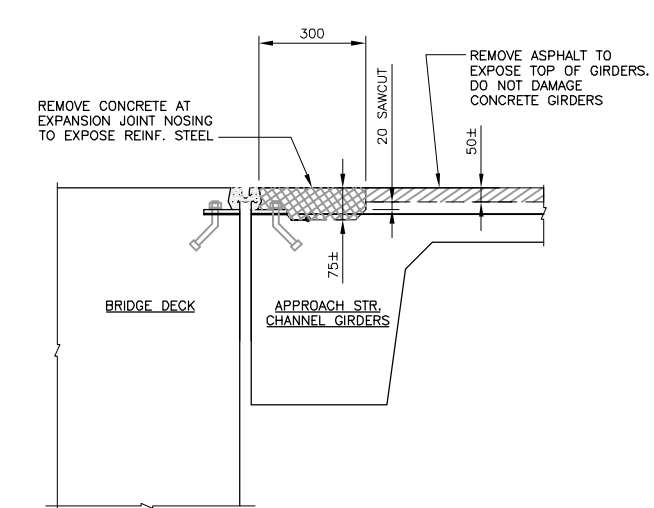
REMOVE EXISTING ASPHALT AND PLACE NEW ASPHALT. MATCH EXISTING GRADES.

CURB AND SIDEWALK REPAIR. SD-205 & SD-228A, RESPECTIVELY, TO BE IDENTIFIED IN THE FIELD BY CONTRACT ADMINISTRATOR.

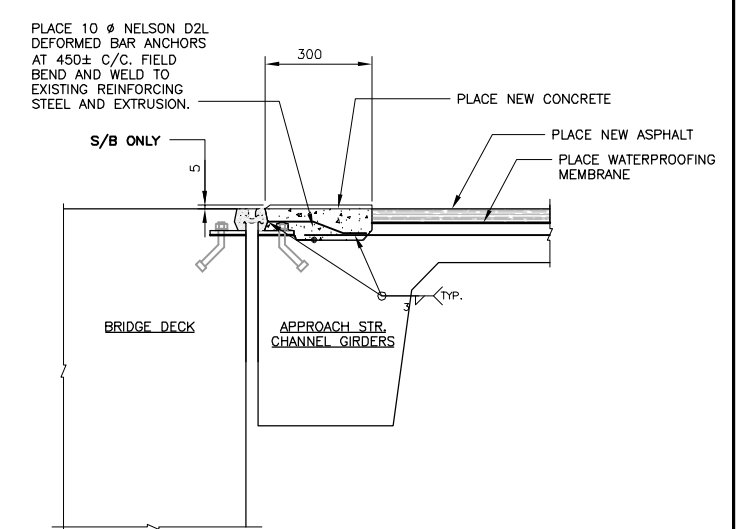
- NOTES:**
1. THE CONTRACTOR WILL BE ALLOWED TO CLOSE ONLY ONE TRAFFIC LANE AT A TIME.
 2. COORDINATE LANE CLOSURES AT BOTH ENDS OF THE BRIDGE.



TYPICAL CONCRETE REPAIR OF CHANNEL GIRDERS
SECTION 2
1:10



EXISTING



PROPOSED

SECTION 1
1:10

B.M. ELEV. 99.772	DESIGNED BY MRD			THE CITY OF WINNIPEG PUBLIC WORKS DEPARTMENT		
	DRAWN BY MRD			2007 BRIDGE MAINTENANCE OSBORNE STREET BRIDGE AT ASSINIBOINE RIVER		CITY DRAWING NUMBER B109-07-02
	CHECKED BY RAW			MISCELLANEOUS CONCRETE & ASPHALT REPAIRS		SHEET 2 OF 2
	APPROVED BY RAW			RELEASED FOR CONSTRUCTION ORIGINAL SIGNED BY B.A. NEIRNCK		BID OPP. NO 469-2007
1 ISSUED FOR TENDER 07/06/20 MRD	HOR. SCALE hor.		CONSULTANT PROJECT NO. 07-7519-1000			
0 ISSUED FOR CITY REVIEW 07/06/13 MRD	VERTICAL ver.					
NO. REVISIONS	DATE	DATE	JUNE 2007			