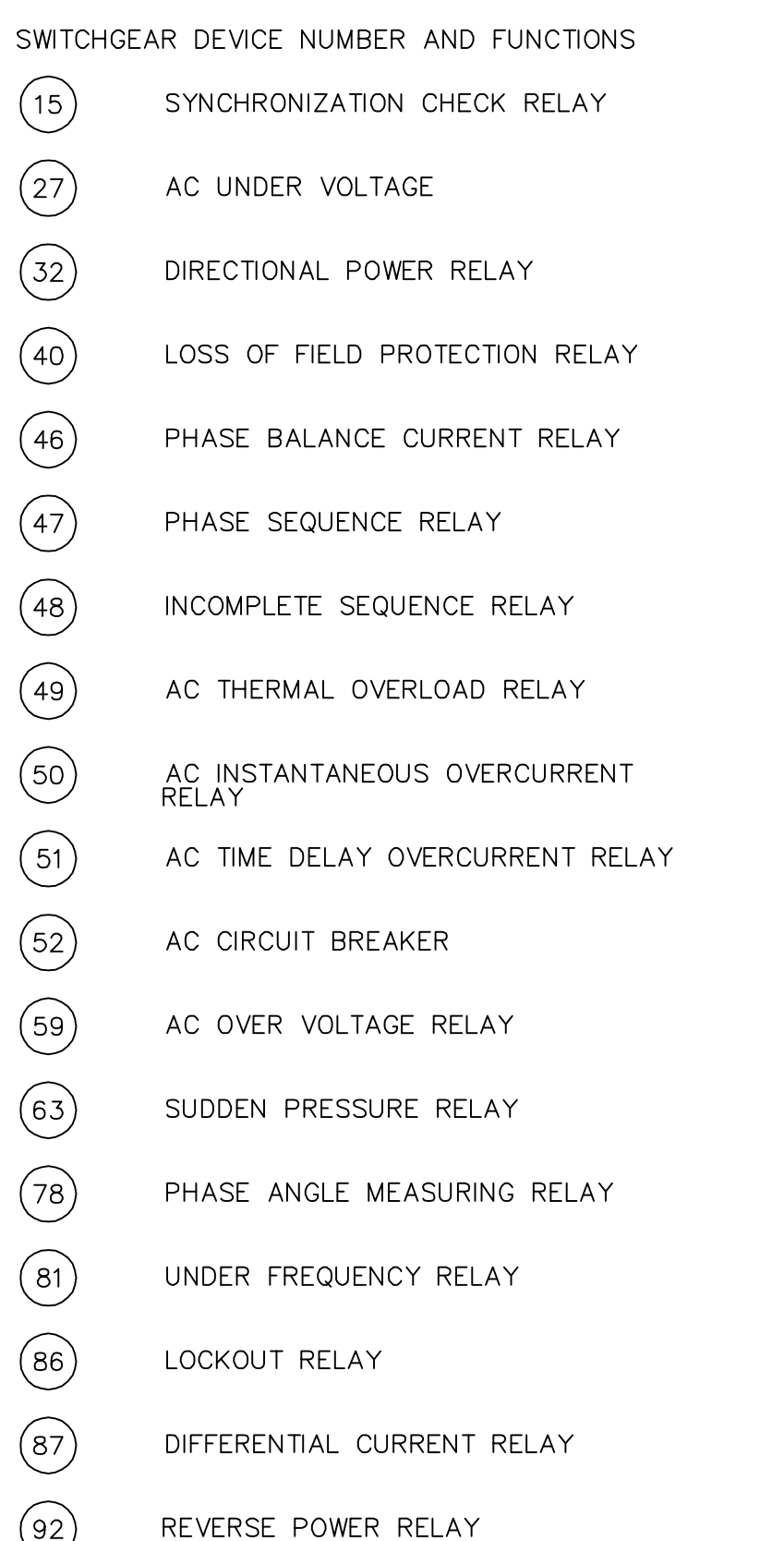
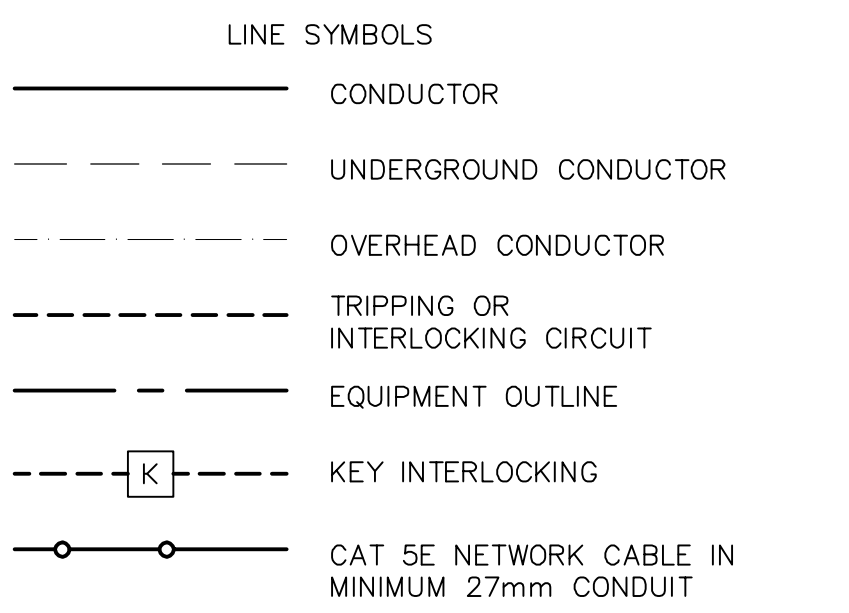
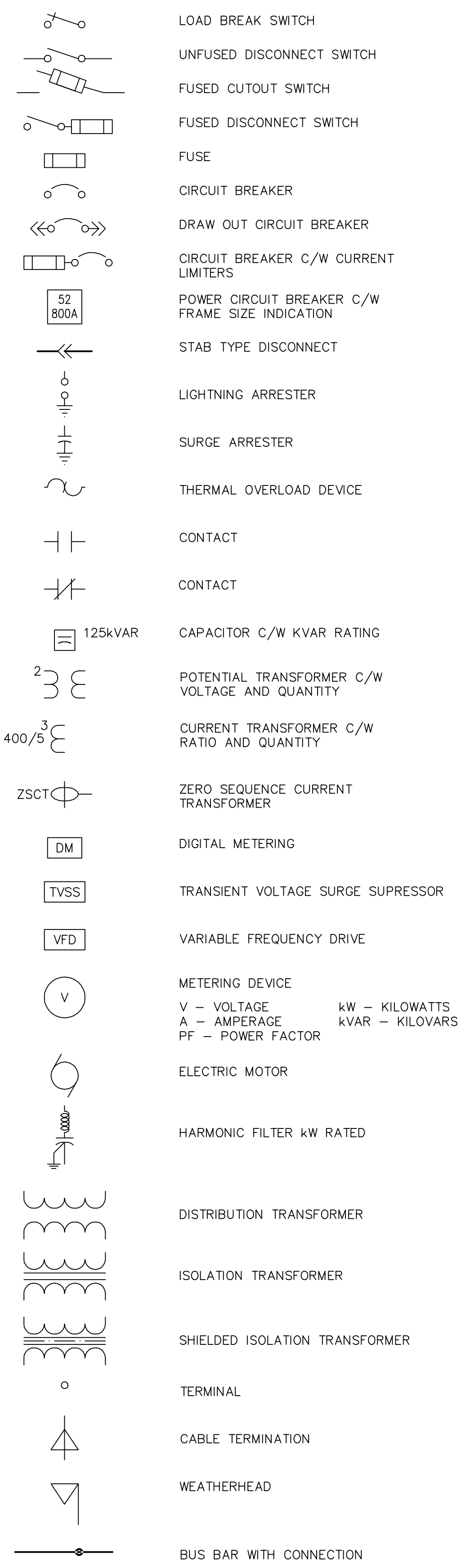


D SIZE 22" x 34" (559mm x 864mm) PLOT: 07/12/18 8:59:03 AM UMA FILE NAME: D265-202-02\_00-E-0001\_RX.dwg Saved By: dj

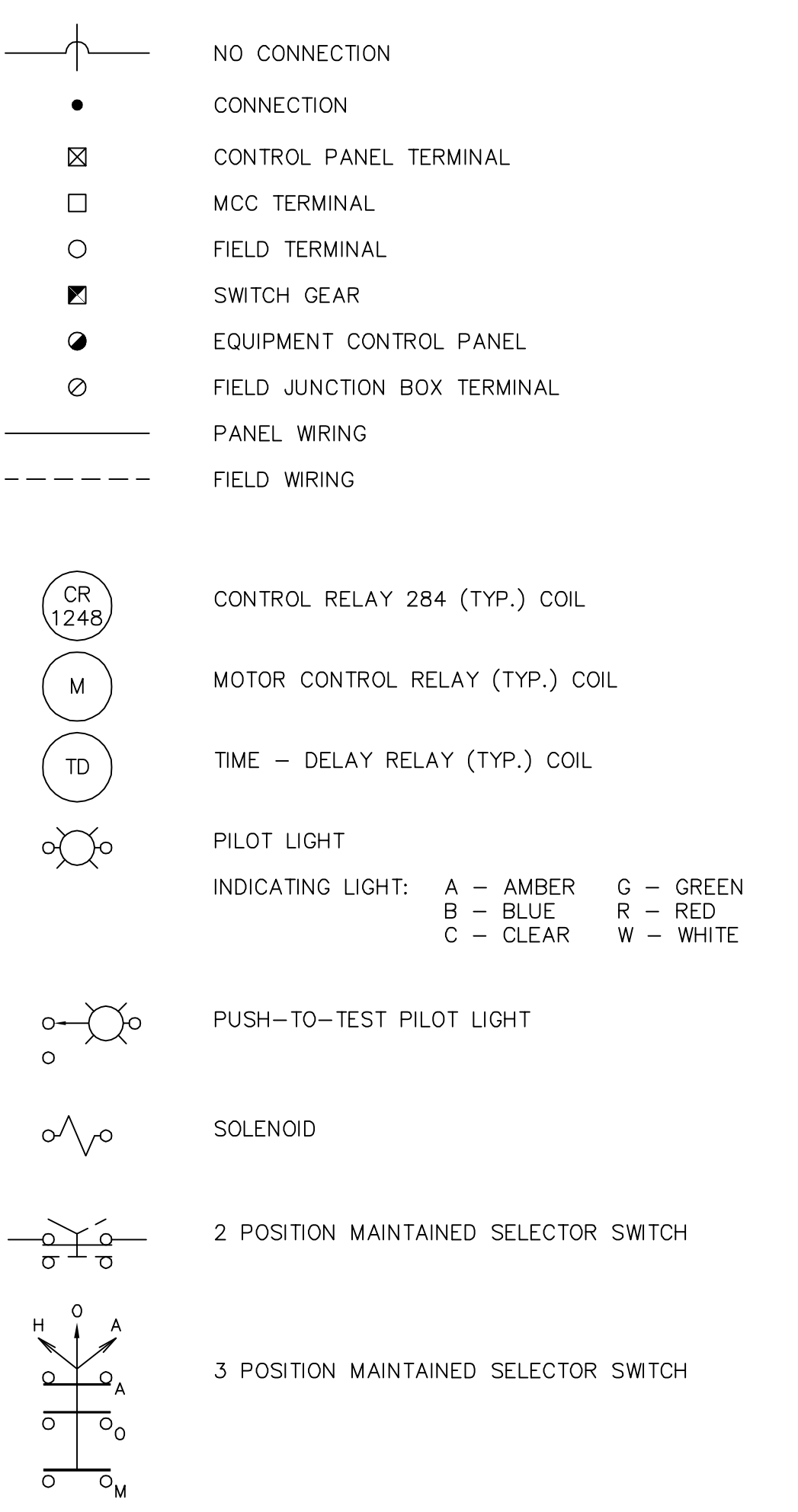
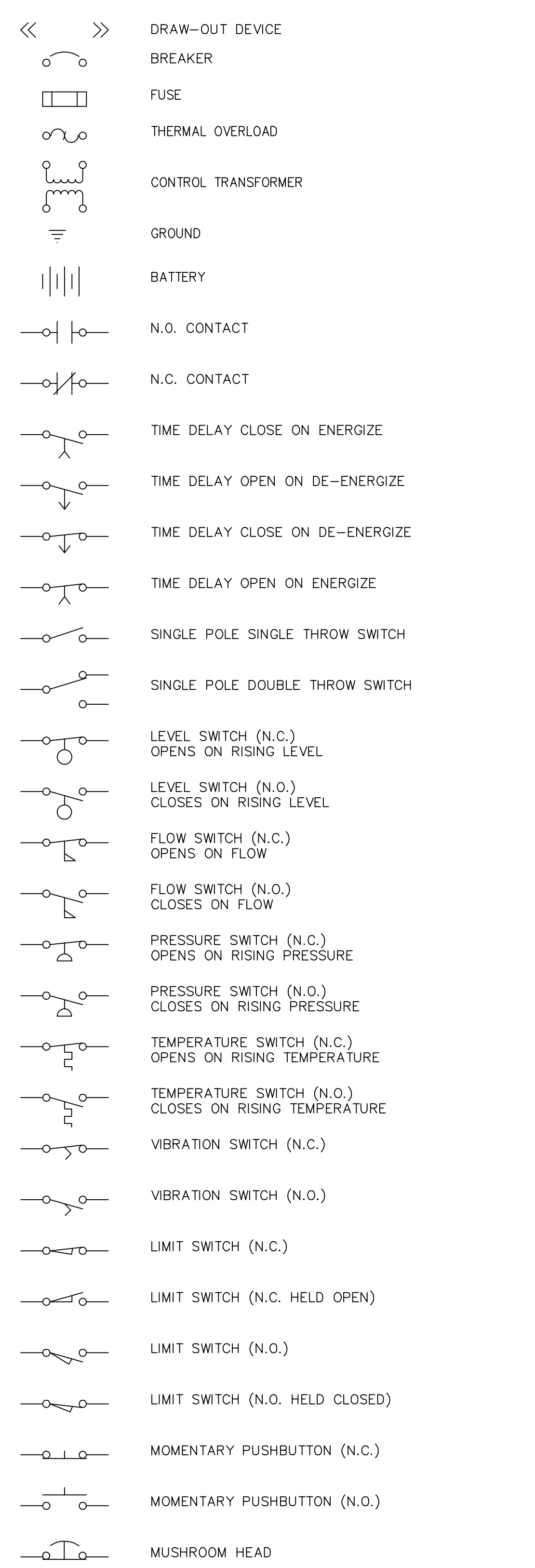
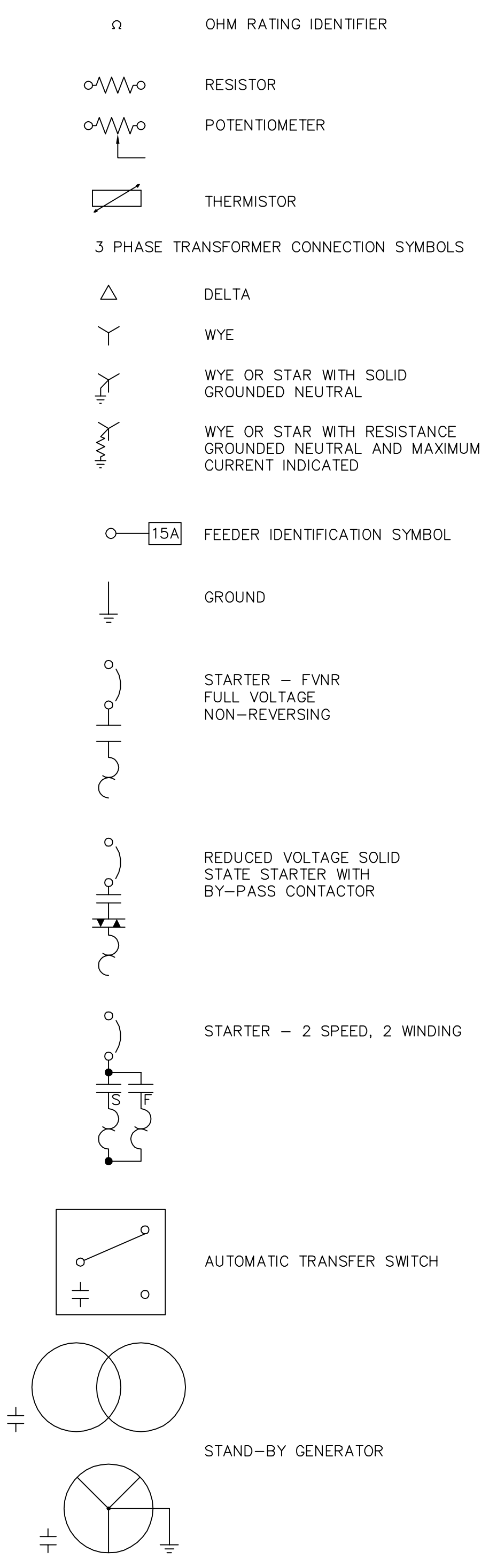
ELECTRICAL SYMBOL LEGEND

SINGLE LINE

SCHEMATIC



SPECIALIZED RELAY FUNCTION ARE INDICATED BY A LETTER SUFFIX. e. g. S - STALL. G - GROUND. T - TEMPERATURE.



**APEGN**  
Certificate of Authorization  
UMA Engineering Ltd. (MB)  
No. 256 Date: 07/12/14

|            |     |     |     |     |
|------------|-----|-----|-----|-----|
| QL         | RS  | BM  | BM  | BF  |
| DRN        | CHK | DES | ENG | IDR |
| UMA REVIEW |     |     |     |     |

|                          |               |                 |  |
|--------------------------|---------------|-----------------|--|
| B.M. ELEV.               | FIELD BOOK #: | UMA   AECOM     |  |
| POSTED TO LBIS           |               | DESIGNED BY BLM | CHECKED BY                             |
|                          |               | DRAWN BY QL     | APPROVED BY                            |
| D ISSUED FOR BID         | 07/12/14      | LJV             |  |
| C ISSUED FOR 100% REVIEW | 07/11/09      | SCK             |  |
| B ISSUED FOR ZONING      | 07/08/21      | SCK             |  |
| A ISSUED FOR 80% REVIEW  | 07/06/18      | SCK             |  |
| NO. REVISIONS            | DATE          | BY              | FILENAME: D265-202-02_00-E-0001_RX.dwg |

|  |                           |
|--|---------------------------|
| © 2009 UMA ENGINEERING LTD. ALL RIGHTS RESERVED. |                           |
| HOR. SCALE AS NOTED                              | RELEASED FOR CONSTRUCTION |
| VERTICAL AS NOTED                                |                           |
| DATE 07/04/23                                    | DATE                      |

ENGINEER'S SEAL  
ISSUE / REVISION D  
ISSUED FOR BID  
WAS SEALED BY  
B.L. MOORE  
AND DATED  
07/12/14

**THE CITY OF WINNIPEG**  
WATER AND WASTE DEPARTMENT  
PERIMETER ROAD PUMPING STATION UPGRADES  
Contract B - Building Upgrades  
Electrical  
SYMBOLS LEGEND  
CITY DRAWING NUMBER: 1-0111L-E0001  
SHEET: 001  
REV. D  
SIZE D