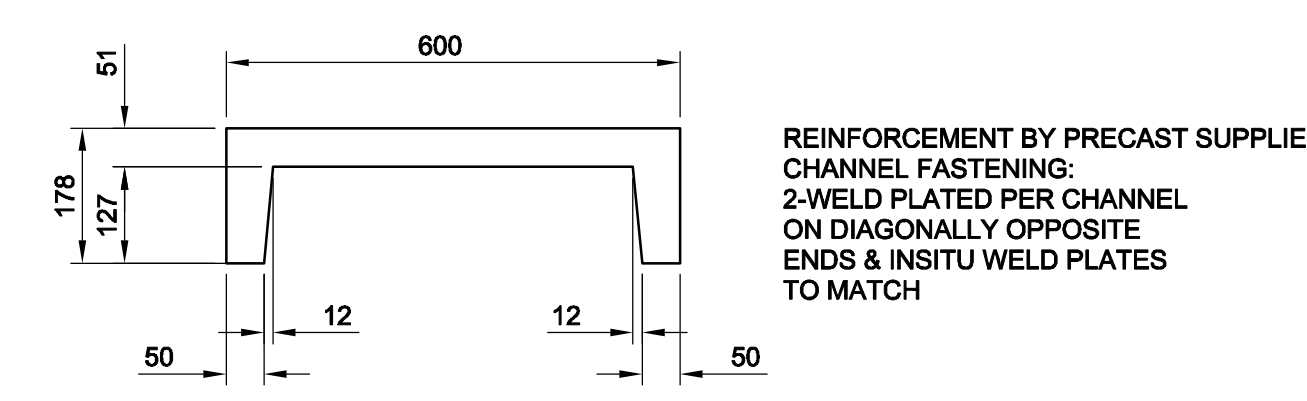
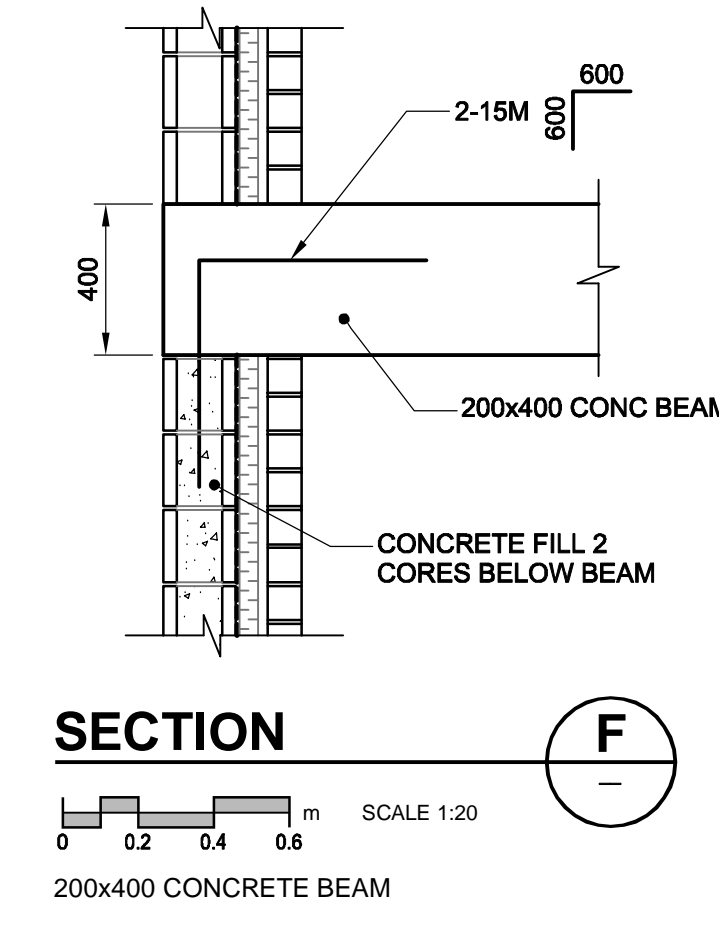
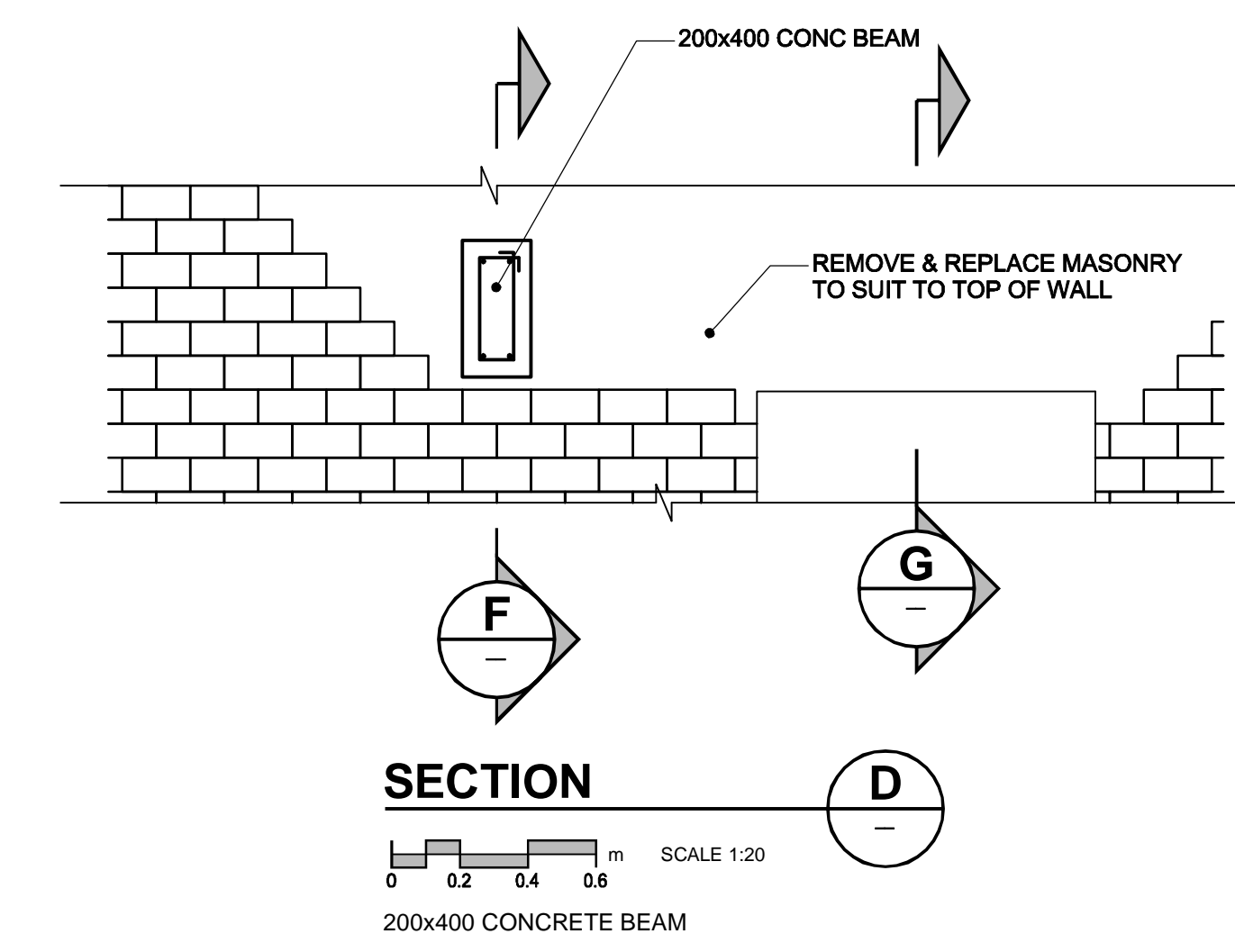
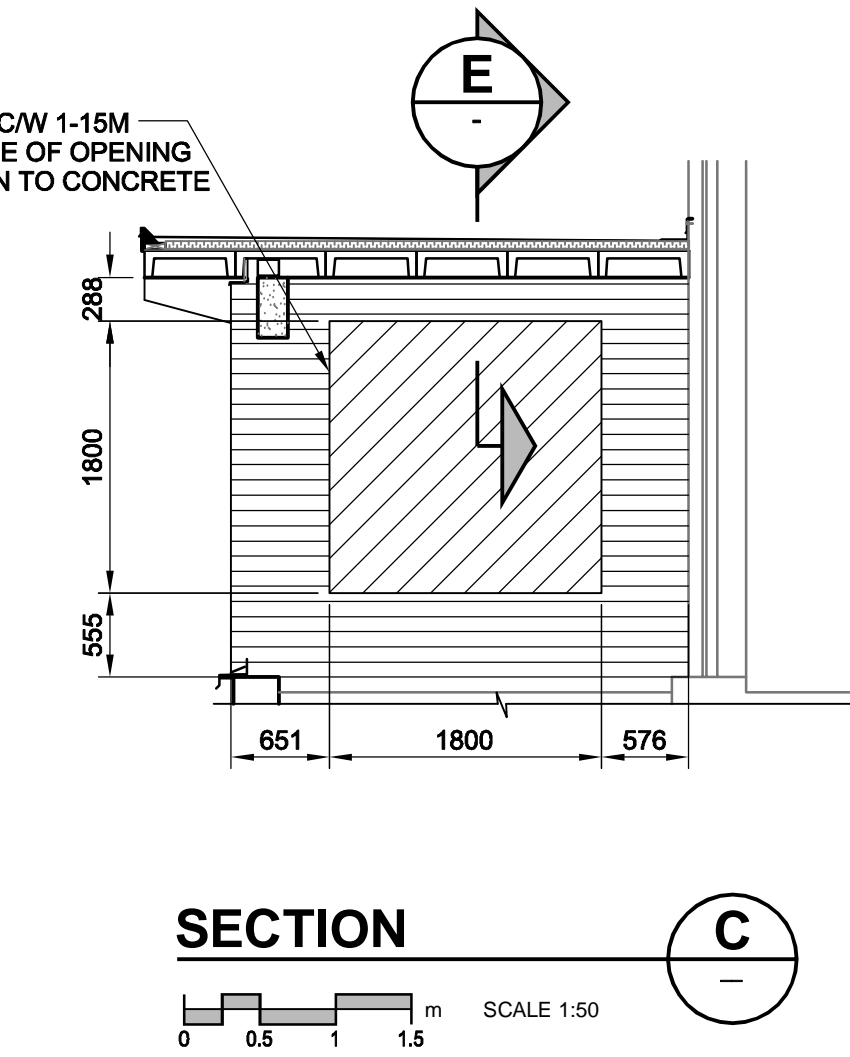
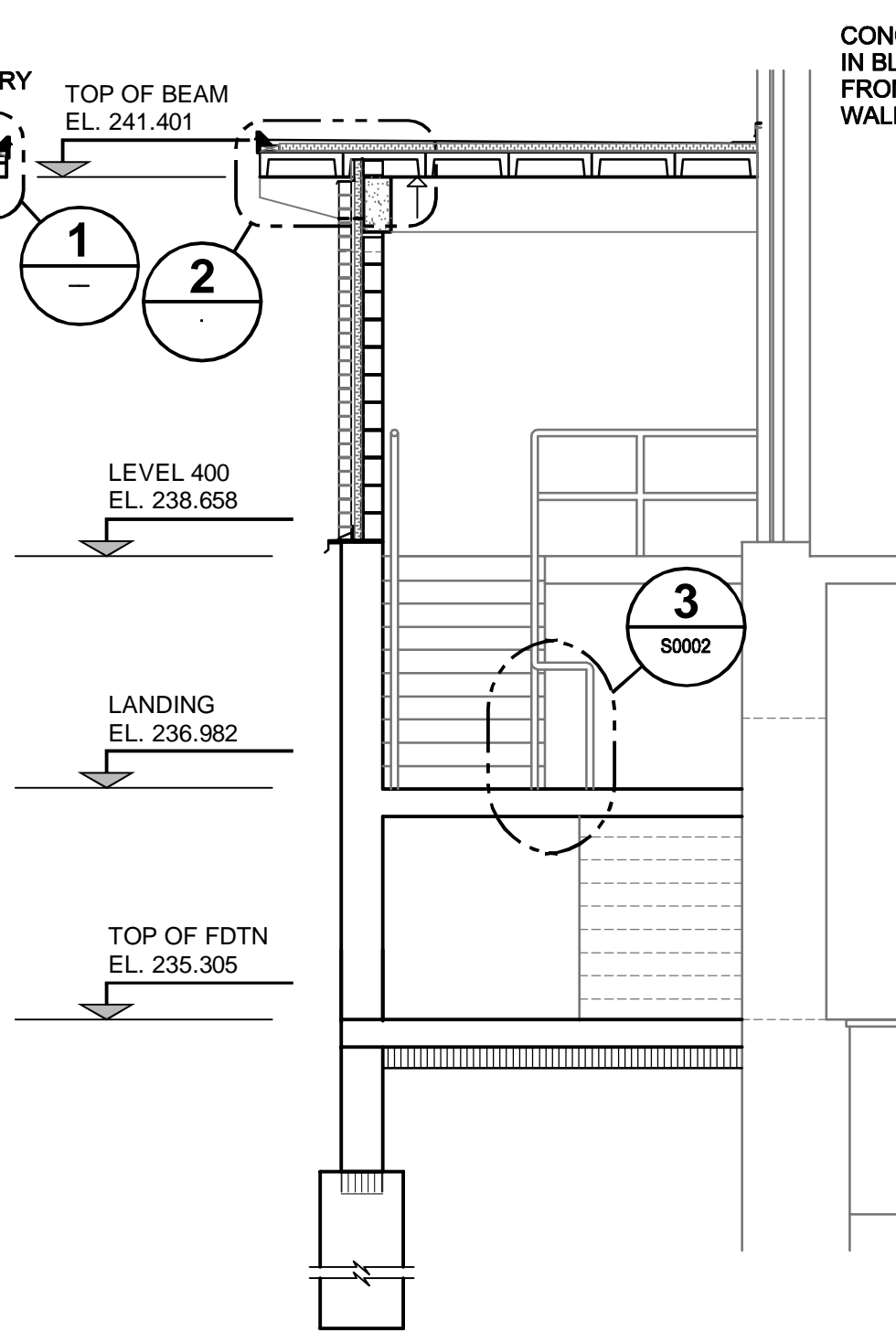
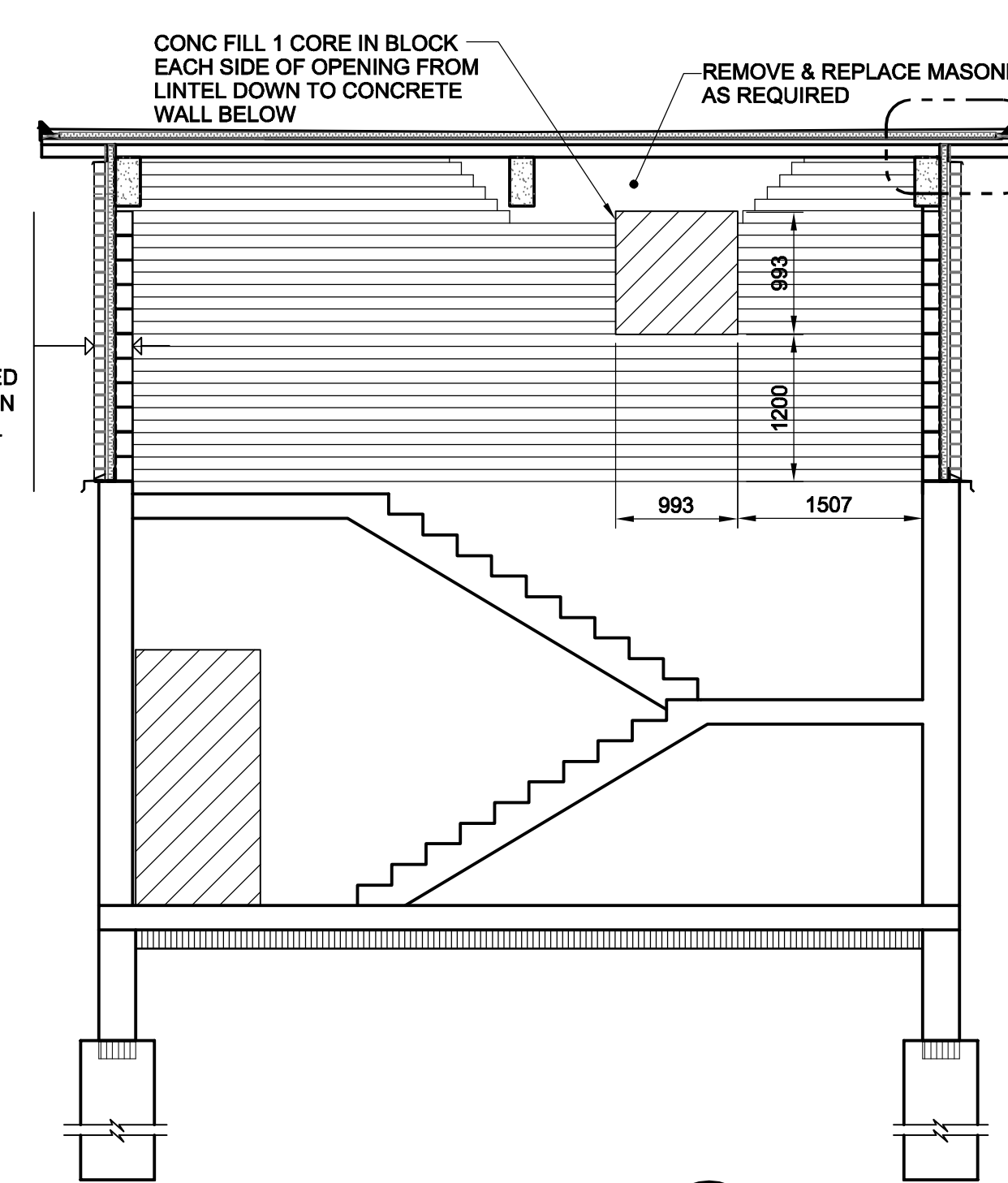
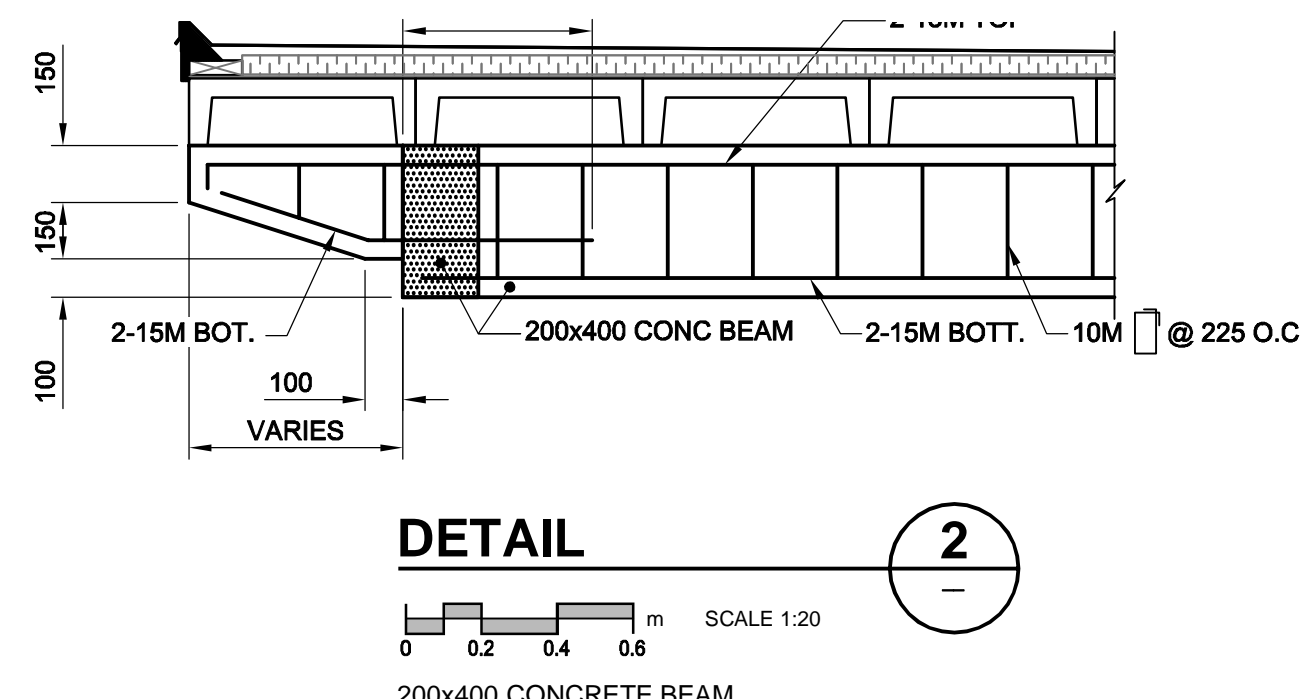
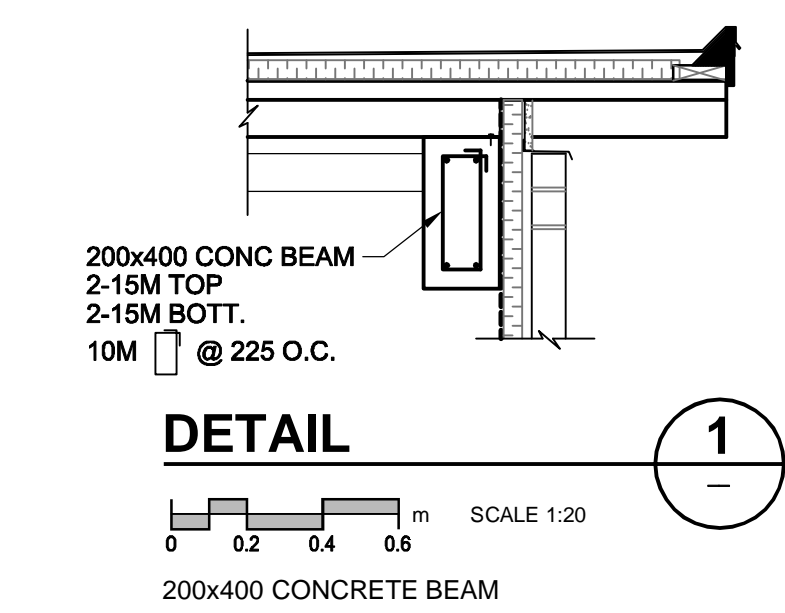


- 100mm FACE BRICK
- 25mm AIR SPACE
- 50mm RIGID INSULATION
- AIR/VAPOUR BARRIER
- 140mm CMU WALL C/W 1-15M VERT DOWEL @ 400 O.C. WITH CORES CONCRETE FILLED
- PROVIDE 1-15M VERT DOWEL IN EACH CORE ADJACENT TO ALL OPENINGS WITH CORES CONCRETE FILLED



REINFORCEMENT BY PRECAST SUPPLIER  
CHANNEL FASTENING:  
2-WELD PLATED PER CHANNEL  
ON DIAGONALLY OPPOSITE  
ENDS & INSITU WELD PLATES  
TO MATCH



**APCGM**  
Certificate of Authorization  
UMA Engineering Ltd. (MB)  
No. 256 Date: 07/12/14

MP	CGC	SBB	SBB	BLL
DRN	CHK	DES	ENG	IDR
UMA REVIEW				

B.M. ELEV.	FIELD BOOK #:	UMA	AECOM
POSTED TO LBIS		DESIGNED BY	GEB
		CHECKED BY	-----
		DRAWN BY	Wjd
		APPROVED BY	---
		HOR. SCALE	AS NOTED
		VERTICAL	AS NOTED
<b>B</b>	ISSUED FOR BID	07/12/14	LJV
<b>A</b>	ISSUED FOR 100% REVIEW	09/11/07	KMB
NO.	REVISIONS	DATE	BY

ENGINEER'S SEAL  
ISSUE / REVISION  
ISSUED FOR BID  
WAS SEALED BY  
BARRY BISWANGER  
AND DATED  
07/12/14

**THE CITY OF WINNIPEG**  
WATER AND WASTE DEPARTMENT  
PERIMETER ROAD PUMPING STATION UPGRADES  
Contract B - Building Upgrades  
Structural - South Stair  
ROOF PLAN, SECTIONS & DETAILS  
CITY DRAWING NUMBER: 1-01111L-S0005  
SHEET: 001  
REV: B  
SIZE: D