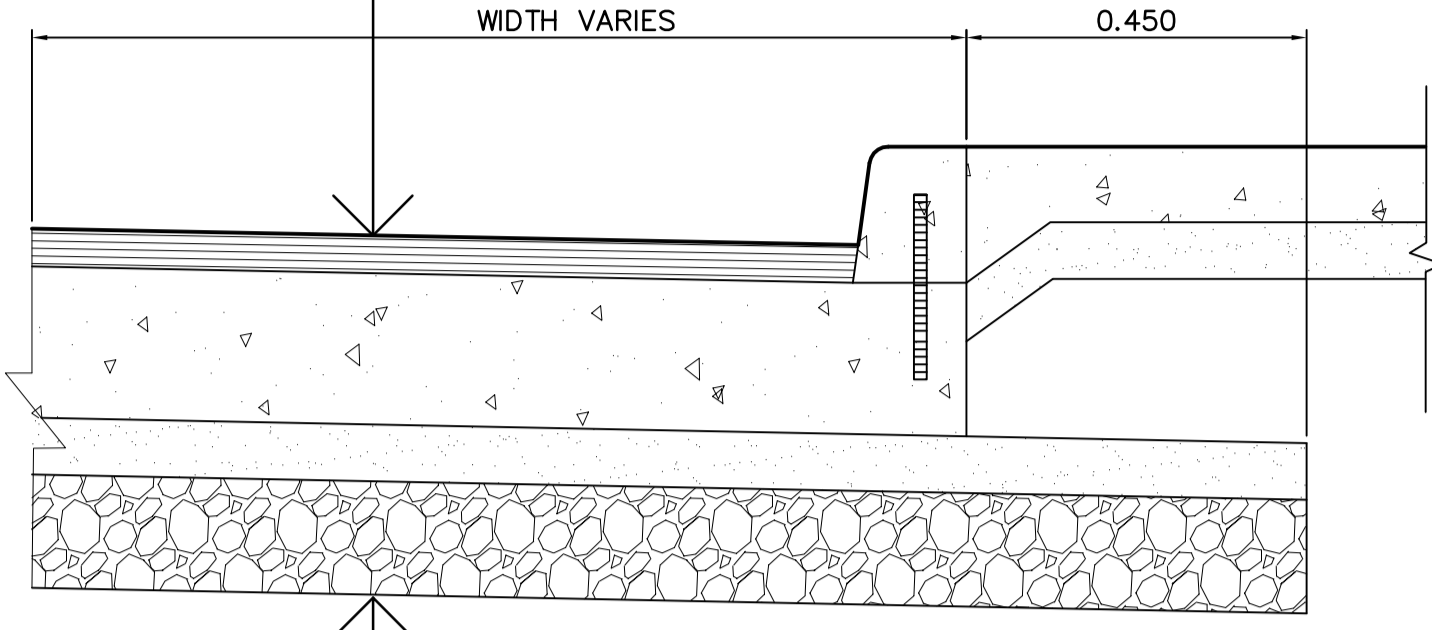


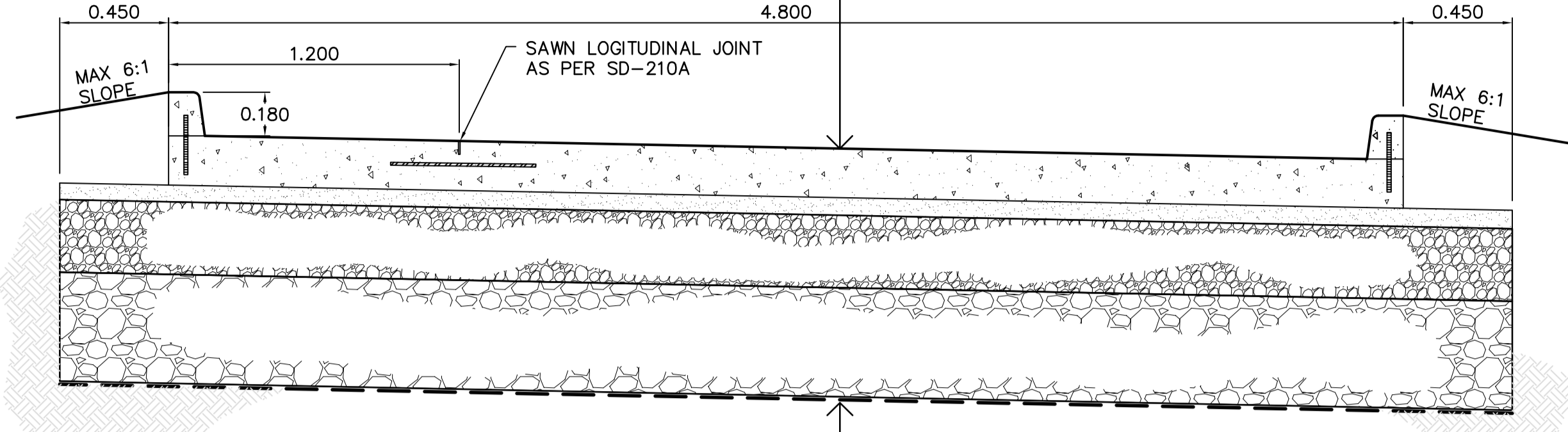
**TYPICAL PAVEMENT SECTION**  
 50mm ASPHALT OVERLAY  
 200mm CONCRETE  
 75mm BASE COURSE  
 150mm LIMESTONE 50mm SUB BASE COURSE

**TYPICAL PAVEMENT SECTION**  
 230mm TINTED OR UNTINTED CONCRETE  
 75mm LIMESTONE BASE COURSE  
 200mm LIMESTONE 50mm SUB BASE COURSE  
 450mm LIMESTONE 150mm SUB BASE COURSE  
 SEPARATION/REINFORCEMENT GEOTEXTILE FABRIC

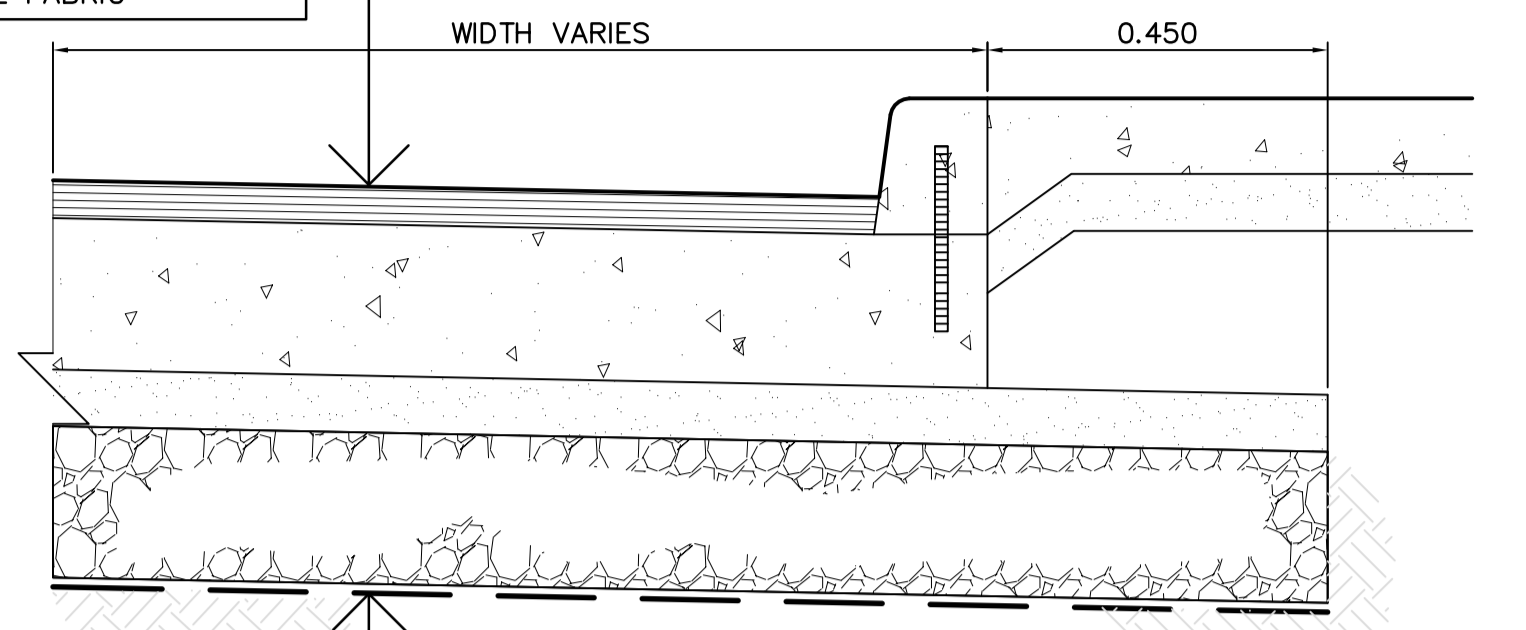
**TYPICAL PAVEMENT SECTION**  
 50mm ASPHALT OVERLAY  
 200mm CONCRETE  
 75mm BASE COURSE  
 225mm LIMESTONE 50mm SUB BASE COURSE  
 SEPARATION/REINFORCEMENT GEOTEXTILE FABRIC



**SECTION 1**  
 SCALE 1:10

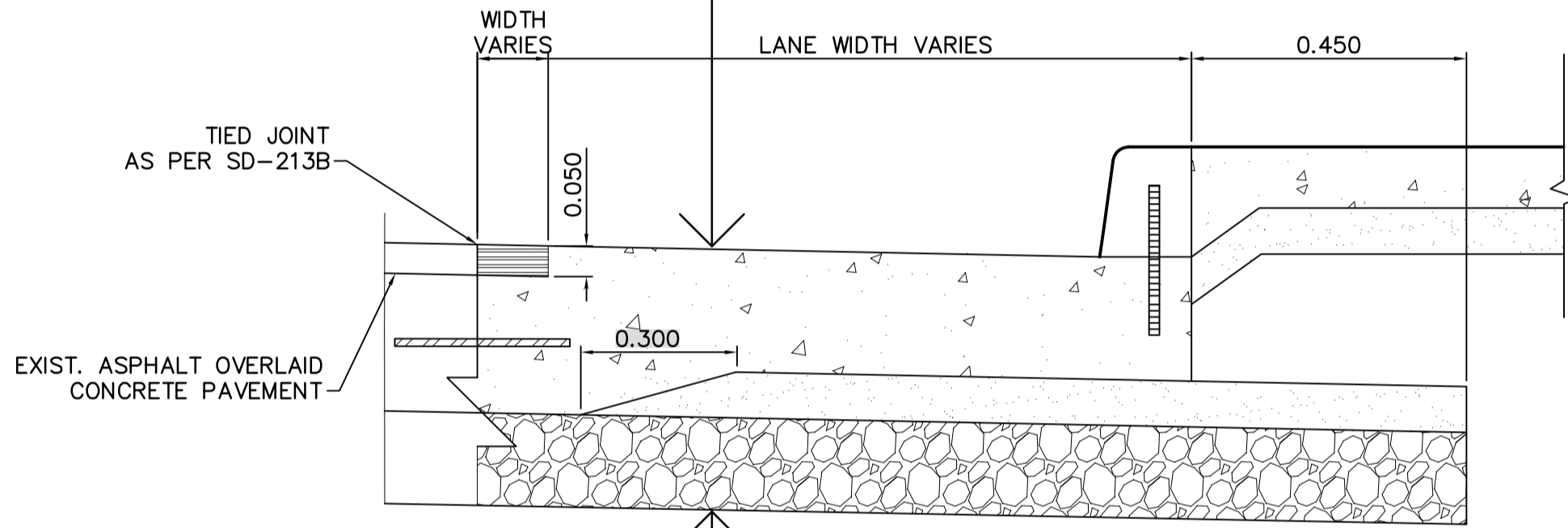


**SECTION 2**  
 SCALE 1:20

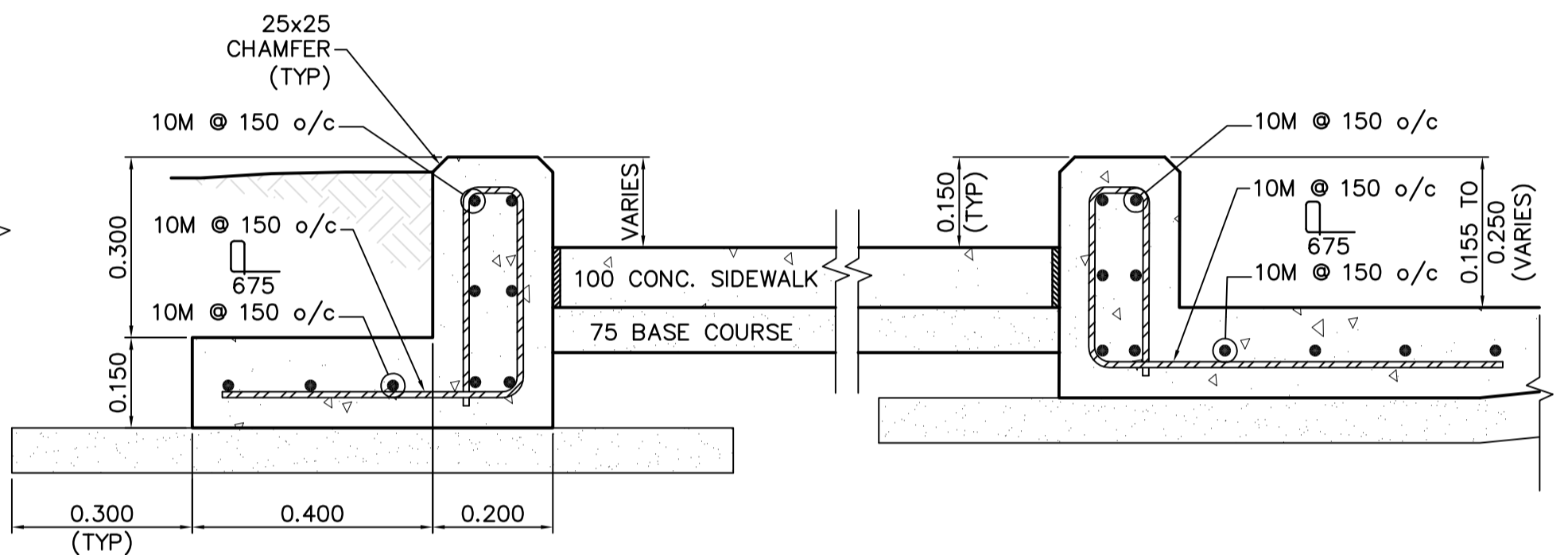


**SECTION 6**  
 SCALE 1:10

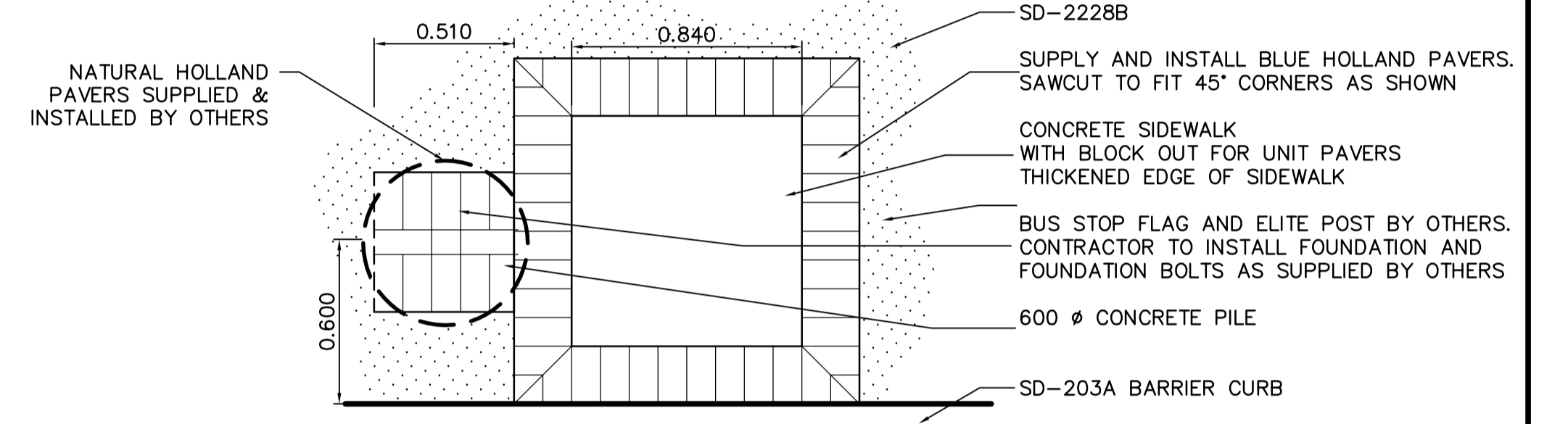
**TYPICAL PAVEMENT SECTION**  
 200mm TINTED CONCRETE  
 75mm BASE COURSE  
 150mm SUB BASE COURSE



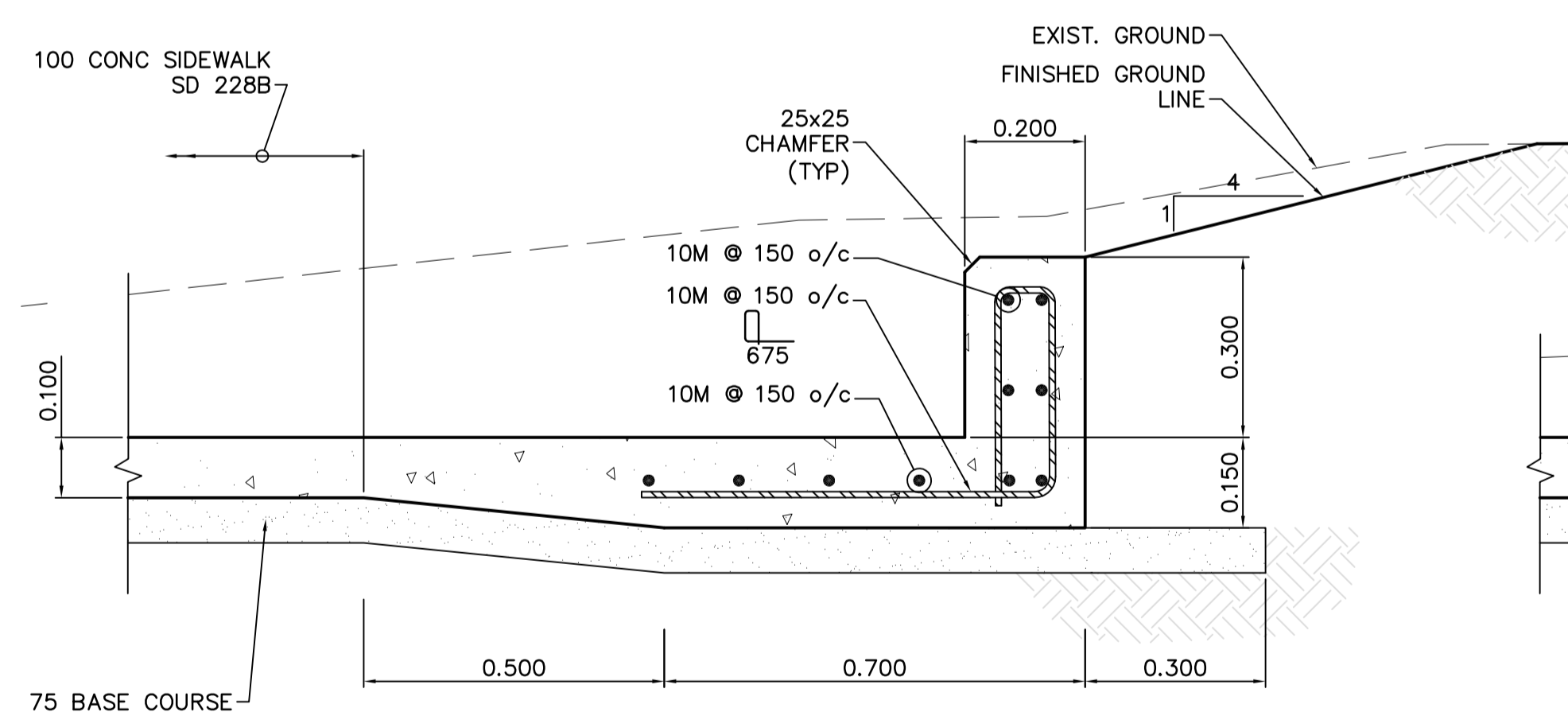
**SECTION 3**  
 SCALE 1:10



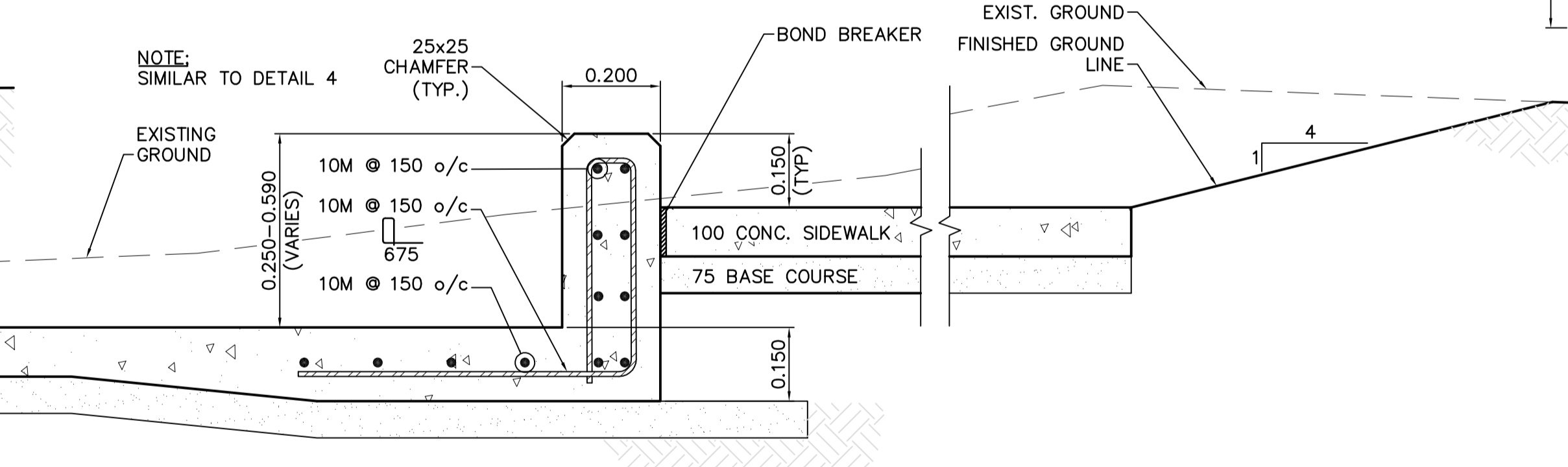
**RETAINING WALL SECTION 7**  
 SCALE 1:10



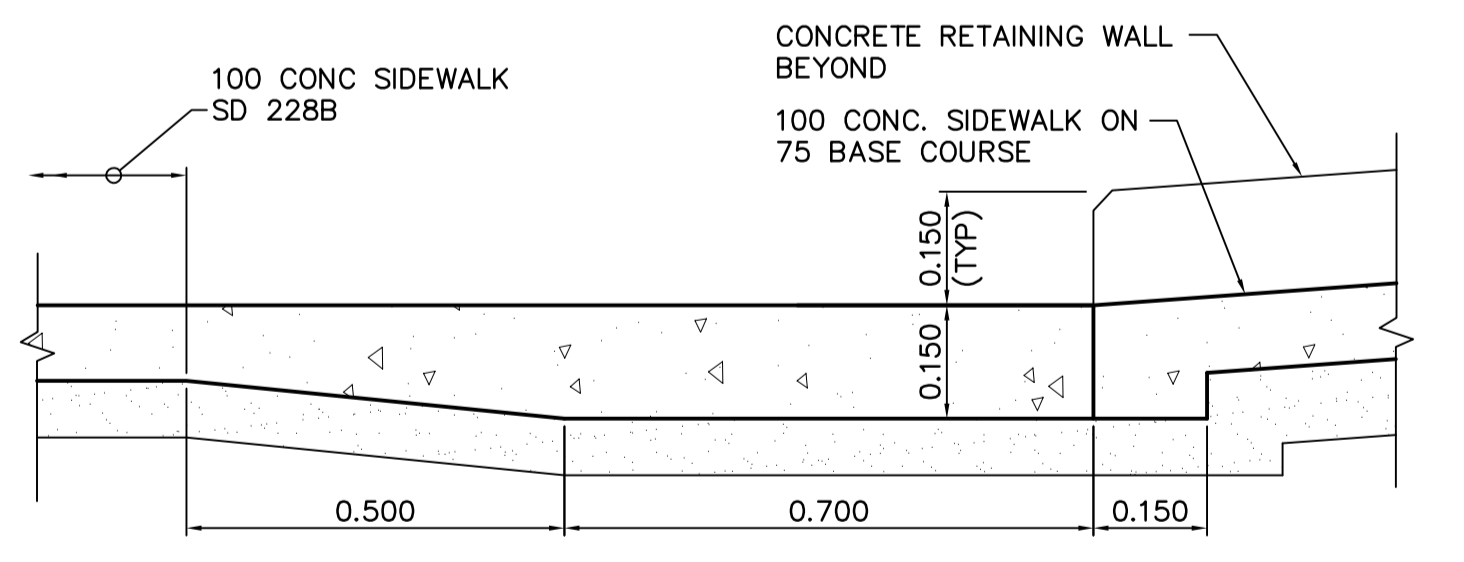
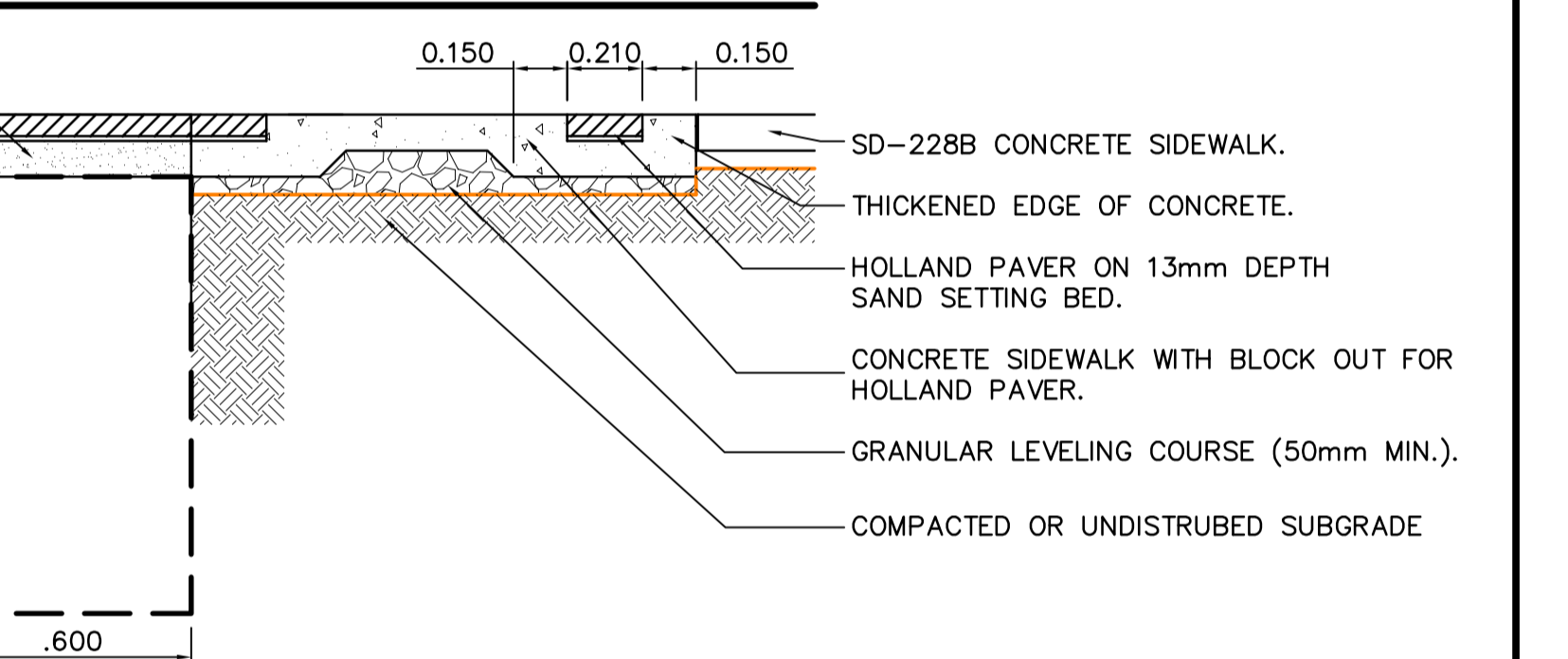
**CONCRETE SIDEWALK WITH UNIT PAVER INSERT & BUS STOP FLAG - AT EXISTING SIDEWALK**  
 SCALE 1:20



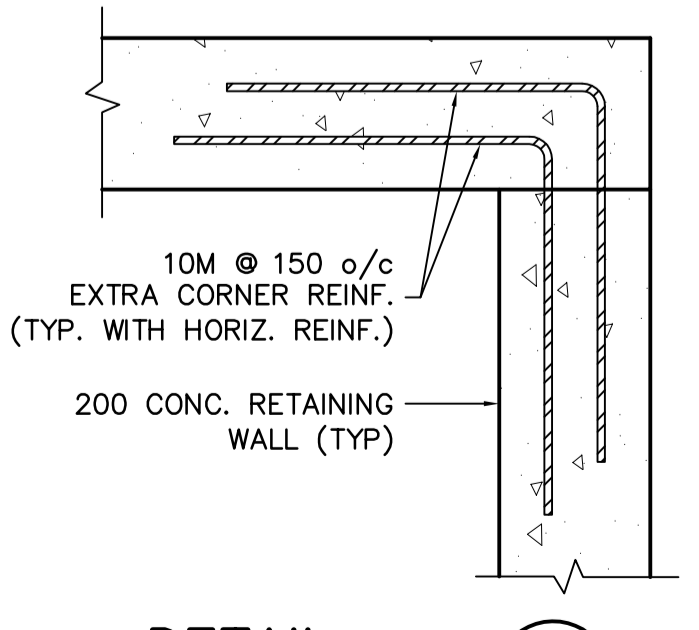
**RETAINING WALL SECTION 4**  
 SCALE 1:10



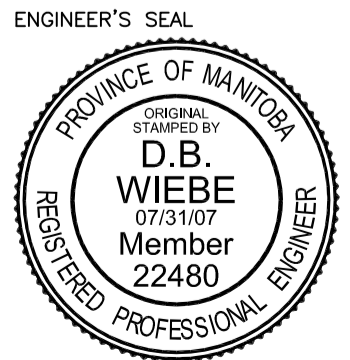
**RETAINING WALL SECTION 5**  
 SCALE 1:10



**RETAINING WALL SECTION 8**  
 SCALE 1:10



**DETAIL A**  
 SCALE 1:10



**THE CITY OF WINNIPEG**  
 TRANSIT DEPARTMENT

ON STREET TRANSIT  
 PRIORITY IMPROVEMENTS - PHASE 1

CITY DRAWING NUMBER  
 SHEET 12 OF 14

STANDARD DETAILS  
 CROSS SECTIONS

CONSULTANT PROJECT NO.  
 07-7840

UNDERGROUND STRUCTURES		B.M. ELEV.	DESIGNED BY	D.B.W.
SUPV. U/G STRUCTURES COMMITTEE	DATE		DRAWN BY	P.M.W./A.J.P.
NOTE: LOCATION OF UNDERGROUND STRUCTURES AS SHOWN ARE BASED ON THE BEST INFORMATION AVAILABLE, BUT NO GUARANTEE IS GIVEN THAT ALL EXISTING UTILITIES ARE SHOWN OR THAT THE GIVEN LOCATIONS ARE EXACT. LOCATION OF ALL SERVICES AND EXISTING UTILITIES MUST BE OBTAINED FROM THE INDIVIDUAL UTILITIES BEFORE PROCEEDING WITH CONSTRUCTION.			CHECKED BY	D.B.W.
4	ISSUED FOR TENDER	07-31-07	APPROVED BY	
2	ISSUED FOR REVIEW	06-28-07	DATE	June 15 / 2007
NO. REVISIONS	DATE	BY	DATE	June 15 / 2007