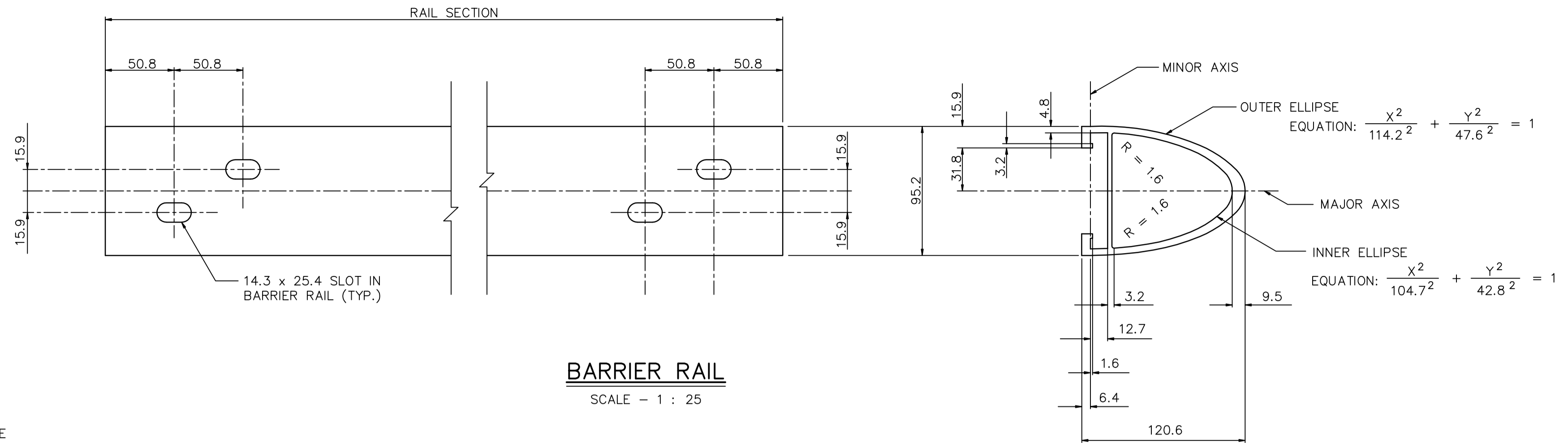


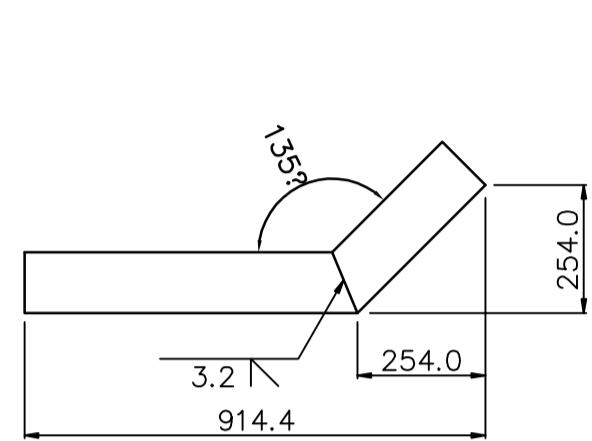
RAIL CLAMP BAR

SCALE - 1 : 25

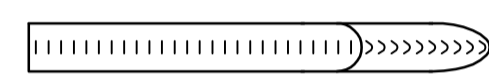


BARRIER RAIL

SCALE - 1 : 25



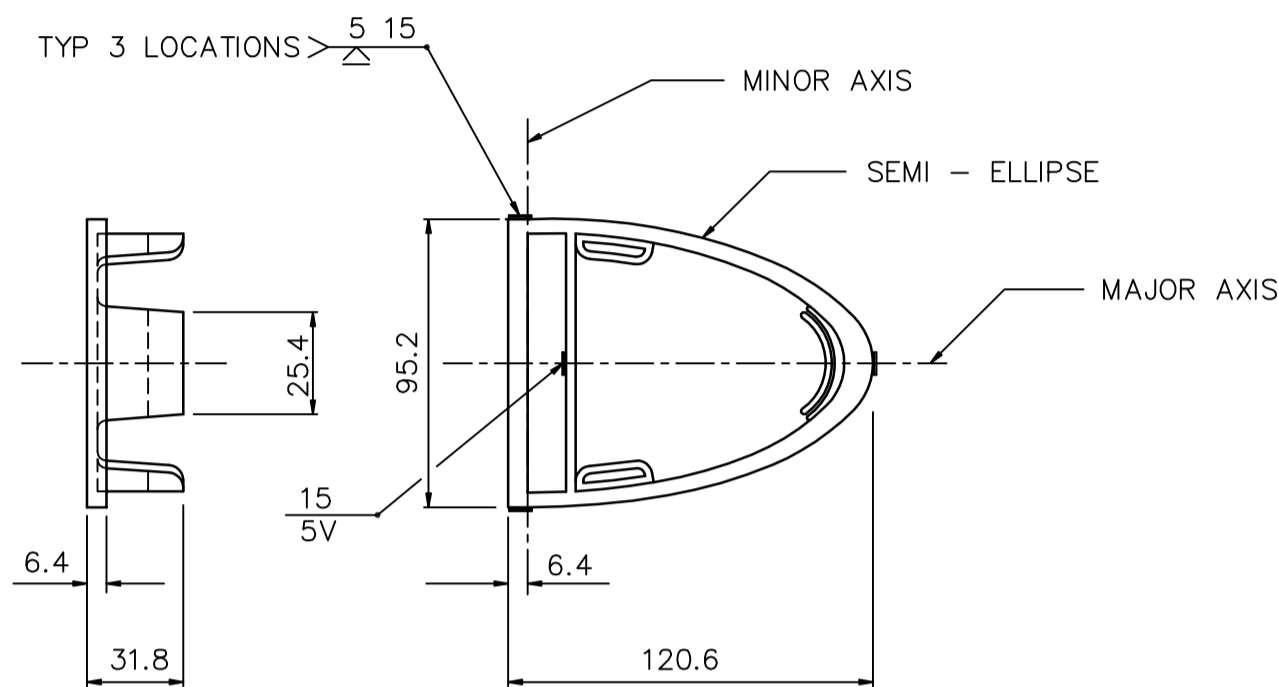
PLAN



FRONT ELEVATION

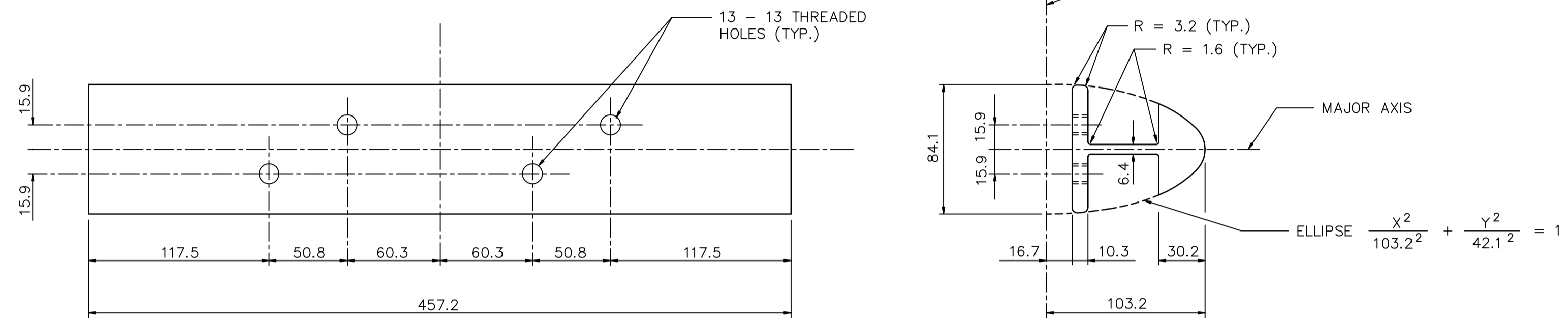
TERMINAL END

(FABRICATED FROM BARRIER RAIL)
SCALE - 1 : 150



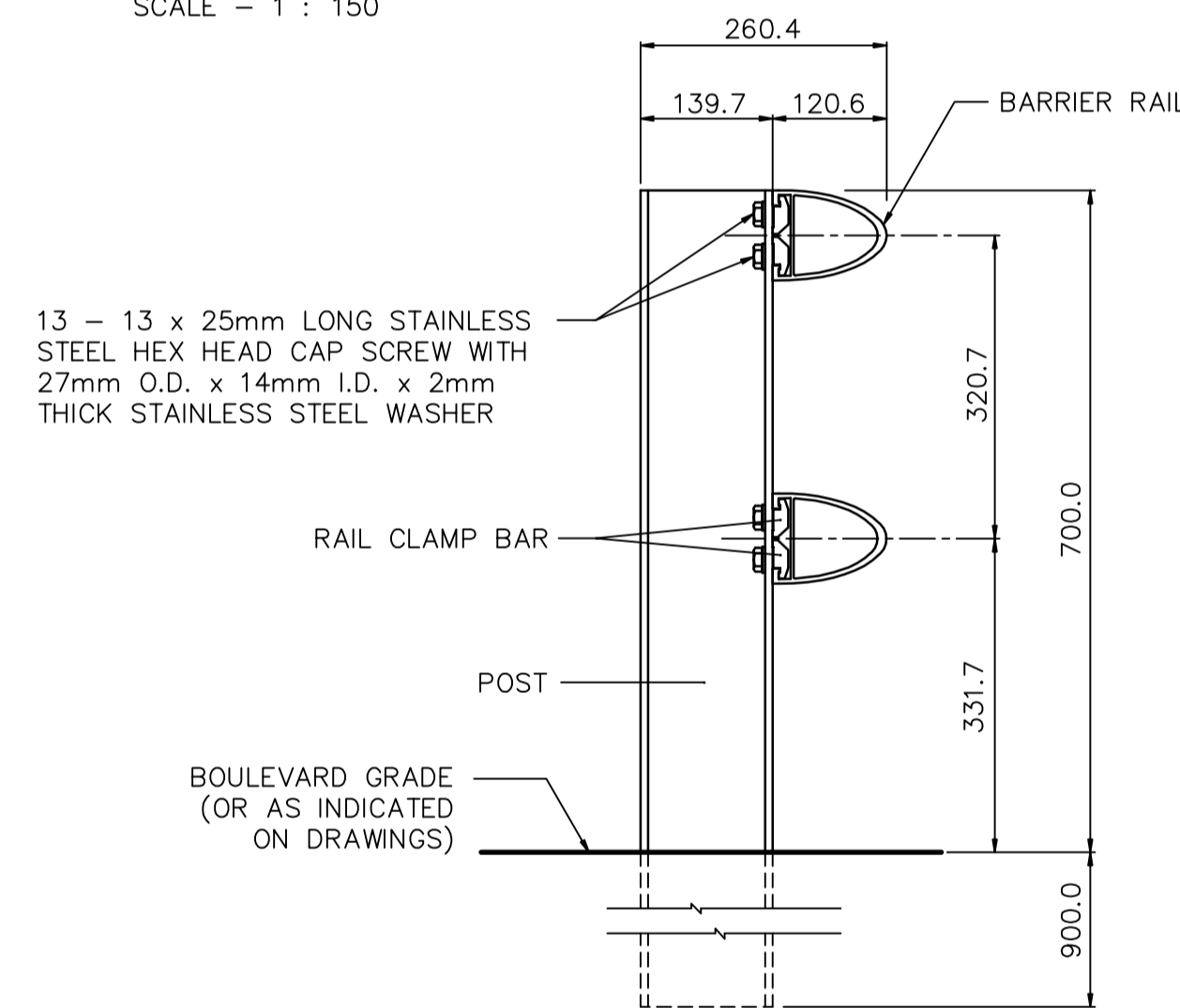
RAIL END CAP

SCALE - 1 : 25



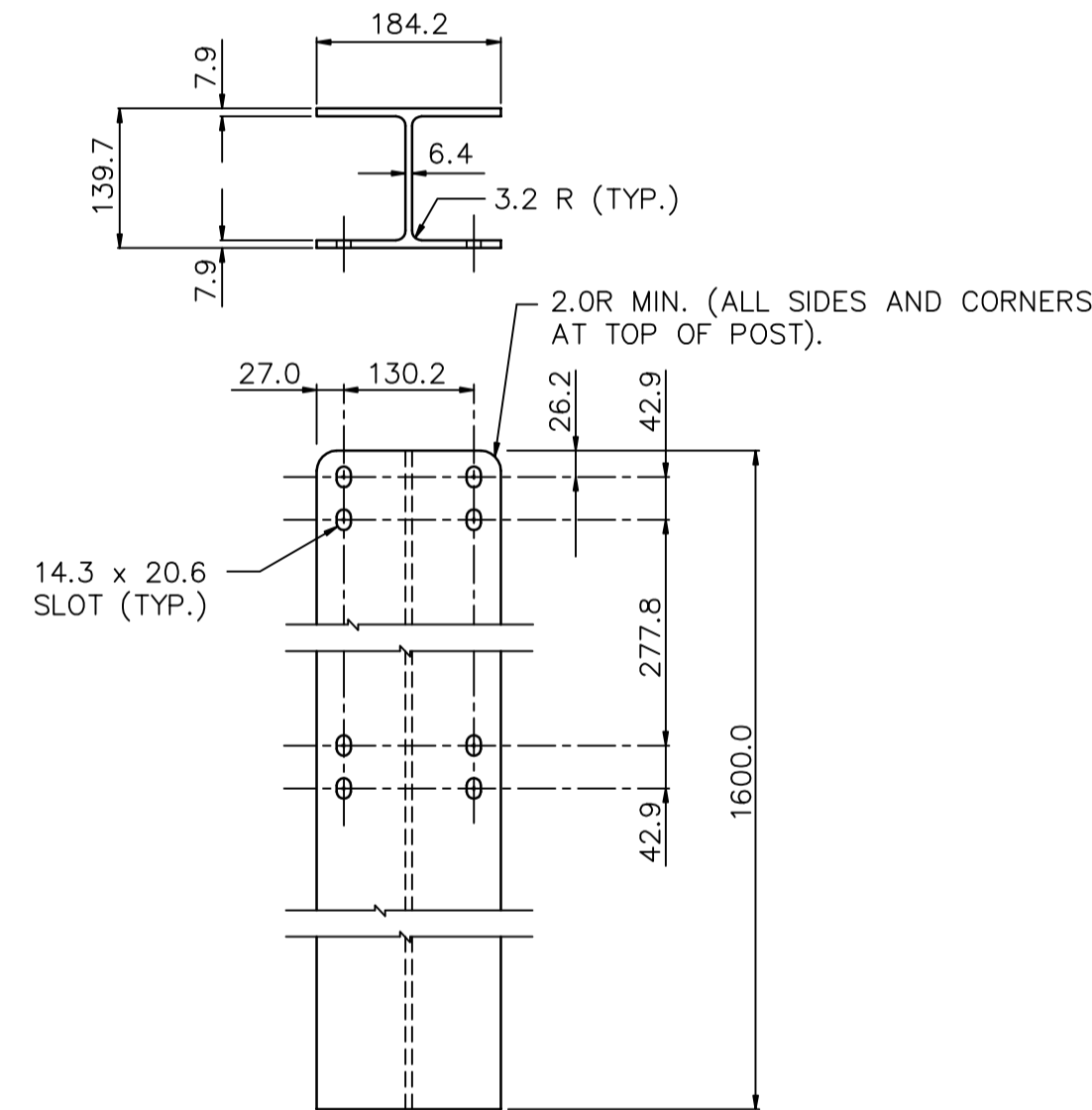
SPLICE BAR

SCALE - 1 : 25



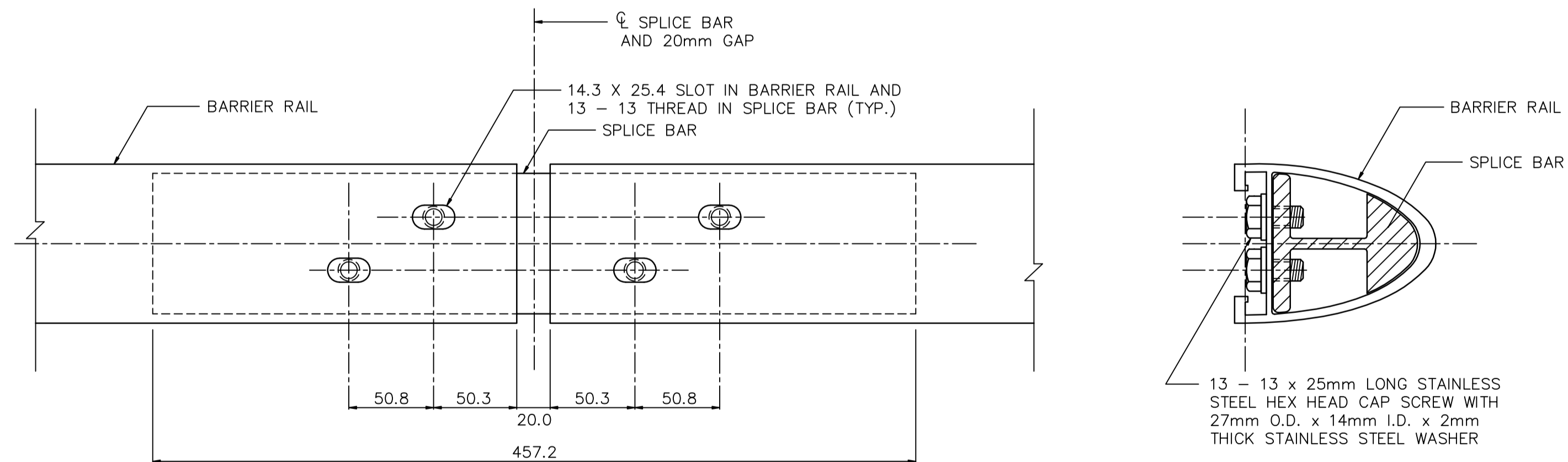
RAIL TO POST ASSEMBLY DETAIL

SCALE - 1 : 75



1.600m POST

(0.800m POST SIMILAR EXCEPT WITH ONLY FOUR SLOTS AT TOP OF POST)
SCALE - 1 : 75



SPLICE BAR TO RAIL ASSEMBLY DETAIL

SCALE - 1 : 25

MATERIAL SPECIFICATION

1. ALUMINUM RAILS, POSTS, SPLICE BARS, AND RAIL END CAPS SHALL CONFORM TO ASTM B221, ALLOY 6061 - T6, OR ALLOY 6351 - T6.
2. TYPE 316. STAINLESS STEEL WASHERS SHALL CONFORM TO ASTM A296, TYPE 316.
3. CAP SCREWS SHALL CONFORM TO ASTM A276, TYPE 316 STAINLESS STEEL.
4. ANTI-SEIZE COATING TO BE APPLIED TO ALL THREADED COMPONENTS WHEN BEING ASSEMBLED, i.e. LPS-3-MANUFACTURED BY HOLT LLOYD (CANADA) LTD., MARKHAM, ONTARIO L3R 2Z3
5. TWO COATS, EACH 1mm IN THICKNESS OF ALKALI-RESISTANT BITUMINOUS PAINT SHALL BE APPLIED ON THE SURFACES OF POSTS AND RAILS THAT ARE TO BE IN CONTACT WITH THE GROUND.

METRIC

ALL DIMENSIONS SHOWN ARE IN MILLIMETRES

UNDERGROUND STRUCTURES SUPV. U/G STRUCTURES COMMITTEE DATE _____ NOTE: LOCATION OF UNDERGROUND STRUCTURES AS SHOWN ARE BASED ON THE BEST INFORMATION AVAILABLE, BUT NO GUARANTEE IS GIVEN THAT ALL EXISTING UTILITIES ARE SHOWN OR THAT THE GIVEN LOCATIONS ARE EXACT. CONFIRMATION OF EXISTENCE AND EXACT LOCATION OF ALL SERVICES MUST BE OBTAINED FROM THE INDIVIDUAL UTILITIES BEFORE PROCEEDING WITH CONSTRUCTION.	B.M. ELEV.	DESIGNED BY		ENGINEER'S SEAL	
		DRAWN BY		PMW	
		CHECKED BY		D.B.W.	
		APPROVED BY			
	NO. REVISIONS	DATE	BY	DATE	DATE
	4	ISSUED FOR TENDER	07-31-07	D.B.W.	RELEASED FOR CONSTRUCTION
	3	ISSUED FOR REVIEW	07-20-07	D.B.W.	CONSULTANT PROJECT NO.
	2	ISSUED FOR REVIEW	06-28-07	D.B.W.	07-7840
					ON STREET TRANSIT PRIORITY IMPROVEMENTS - PHASE 1
					BALANCED ALUMINUM SHOULDER BARRIER STANDARD DETAIL
					CITY DRAWING NUMBER
					SHEET 14 OF 14