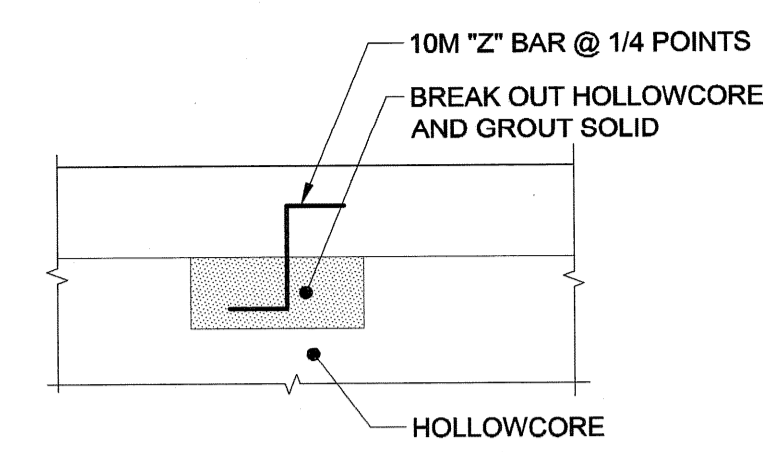
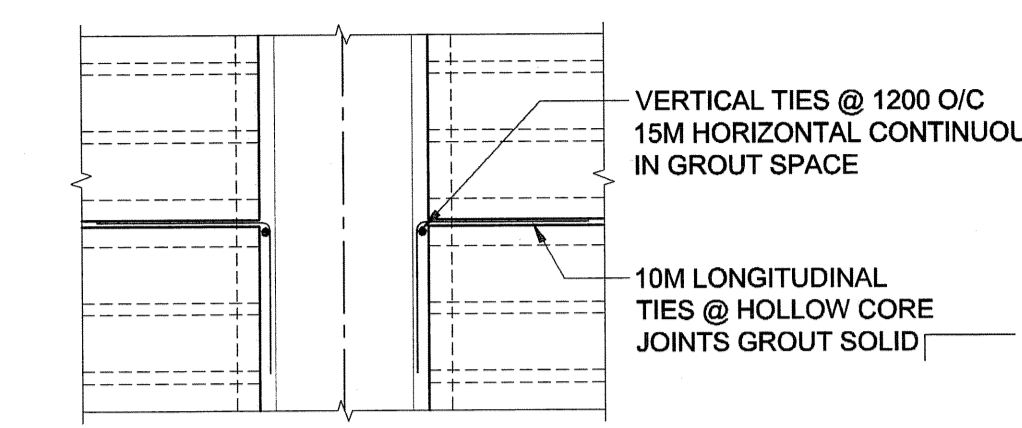


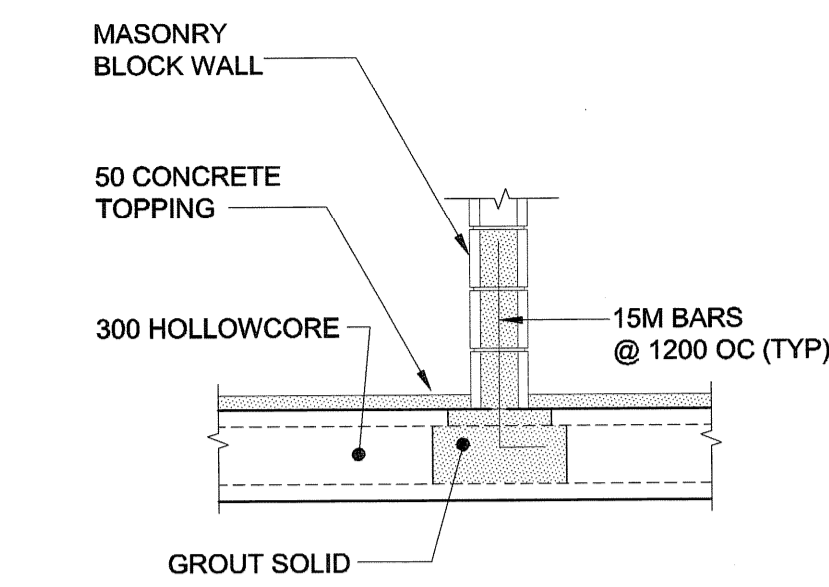
FILE NAME: F953-001-01_01-S-2003_RX.dwg
 DATE: 2007.07.23
 DESCRIPTION: Main Floor Framing Plan
 PROJECT No: F953-001-01
 ADDRESS: 989 Sargent St. Winnipeg, Manitoba
 PLOT: 07/08/10 1:08:12 PM
 UMA FILE NAME: F953-001-01_01-S-2003_RX.dwg



DETAIL 1
 SCALE 1:25



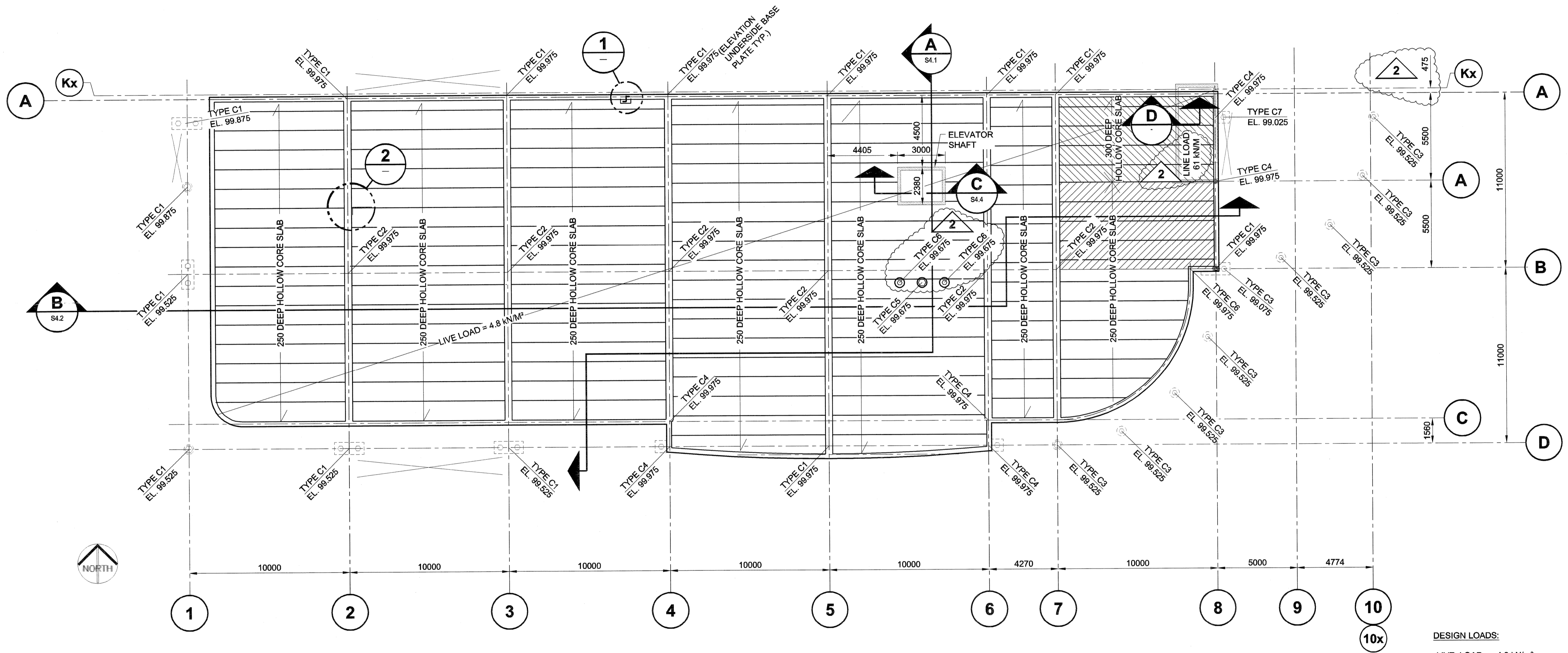
DETAIL 2
 SCALE 1:25



SECTION D
 SCALE 1:25

NOTE:
 FINAL HOLLOWCORE PANEL LAYOUT TO BE DETERMINED BY HOLLOWCORE SUPPLIER. IF LOCATIONS VARY FROM THOSE SHOWN ON THE DRAWING, COORDINATE REINFORCING REQUIRED WITH THE CONTRACT ADMINISTRATOR.
 ALL HOLLOWCORE AND PRECAST CONCRETE SLAB EDGES SUPPORTED BY STEEL BEAMS TO HAVE 19Ø x 150 LONG STUD ANCHOR @ 1200 OC WELDED TO TOP FLANGE OF BEAM AND GROUTED INTO POCKETS OR CORES OF PRECAST. STEEL AND PRECAST SUPPLIER TO COORDINATE LOCATIONS.
 FOR SMALL MECHANICAL OPENINGS THROUGH LOAD-BEARING WALLS AND THROUGH BRICK VENEER OPENINGS SHALL BE SPACED TO ENSURE MINIMUM 200 CLEAR BETWEEN OPENINGS. PROVIDE GALVANIZED L200x200x9.5 LOOSE ANGLE LINTEL FOR BRICK SUPPORT.
 FOR OPENINGS THROUGH HOLLOWCORE, POSITION OPENINGS TO ALIGN WITH CORES. DO NOT CUT TENDON REINFORCING. POSITION SO THAT ONE PIPE GOES THROUGH EACH CORE. WHERE PIPE BANKS RUN PARALLEL TO HOLLOWCORE, SPACE OPENINGS AT MINIMUM 150 OC. COORDINATE ALL OPENING LOCATIONS WITH HOLLOWCORE SUPPLIER PRIOR TO MANUFACTURING OF HOLLOWCORE.

NOTE:
 T.O. HOLLOW CORE 99.950
 T.O. HOLLOW CORE @ SHADED AREA 99.925



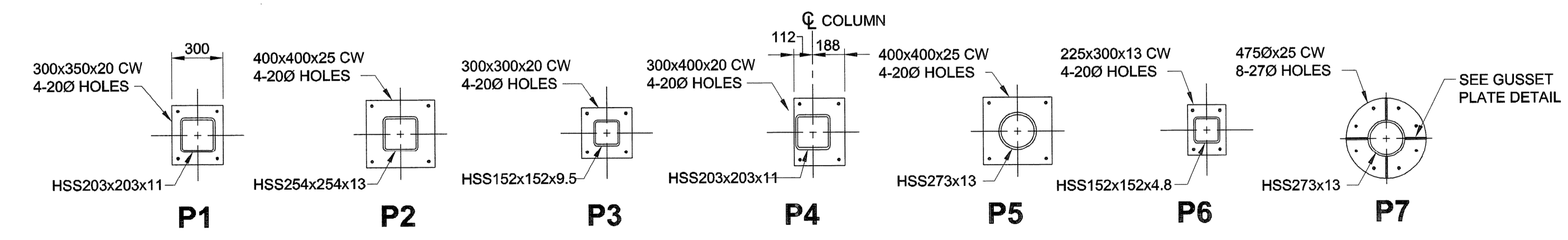
MAIN FLOOR FRAMING PLAN

SCALE 1:150

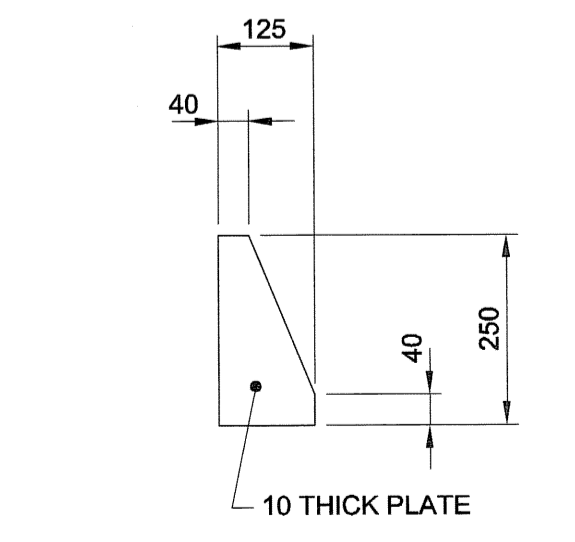
DESIGN LOADS:
 LIVE LOAD = 4.8 kN/m²
 DEAD LOAD = 5.5 kN/m²
 TOTAL LOAD = 10.3 kN/m²

NOTE:
 ALL ANCHOR BOLTS TO HAVE 75 LONG HOOK
 ALL ANCHOR BOLTS TO BE A307 GRADE STEEL

COLUMN TYPE	SIZE	BASEPLATE	ANCHOR BOLTS	EL. U/S OF BASE PLATE
C1	HSS203x203x11	P1	4-19Ø x 400 CW NUTS & WASHERS	SEE PLAN
C2	HSS254x254x13	P2	4-19Ø x 400 CW NUTS & WASHERS	SEE PLAN
C3	HSS152x152x9.5	P3	4-19Ø x 400 CW NUTS & WASHERS	SEE PLAN
C4	HSS203x203x11	P4	4-19Ø x 400 CW NUTS & WASHERS	SEE PLAN
C5	HSS273x13	P5	4-19Ø x 400 CW NUTS & WASHERS	SEE PLAN
C6	HSS152x152x4.8	P6	4-19Ø x 400 CW NUTS & WASHERS	SEE PLAN
C7	HSS273x13	P7	8-25Ø x 400 CW NUTS & WASHERS	SEE PLAN



BASE PLATE PLAN



GUSSET PLATE DETAIL

SCALE 1:10
 4 REQUIRED FOR P7

UMA | AECOM
 © 2007 UMA ENGINEERING LTD. ALL RIGHTS RESERVED.
APEGM
 Certificate of Authorization
 UMA Engineering Ltd. (MB)
 No. 256 Date: *Aug 10 2007*
 DRN CHK DES ENG IDR
 UMA | AECOM REVIEW

NO.	REVISION/DESCRIPTION	BY	DATE
2	ISSUED FOR ADDENDUM #1	MP	07/08/10
1	REVISED AS PER CITY REVIEW	MP	07/07/30
0	ISSUED FOR TENDER	MP	07/07/23

SEALS

 DRAWN BY: MP
 CHECKED BY: USER APPROVAL
 DATE: 2007.02.21

CITY OF WINNIPEG
 PLANNING, PROPERTY & DEVELOPMENT DEPARTMENT
 CIVIC ACCOMMODATIONS DIVISION
 300 - 65 GARRY ST. R3C 4K4

PROJECT
 Construction of Cindy Klassen
 Recreation Complex Facility
 Enhancement Project
 999 Sargent St. Winnipeg, Manitoba

SHEET TITLE
 Structural
 Main Floor Framing
 Plan and Details

SCALE AS NOTED
 PROJECT NO. 2005-059
 SHEET NO. S2.3
 DRAWING SHEET SIZE: A1 (841mm x 594mm) PLOT 1:1