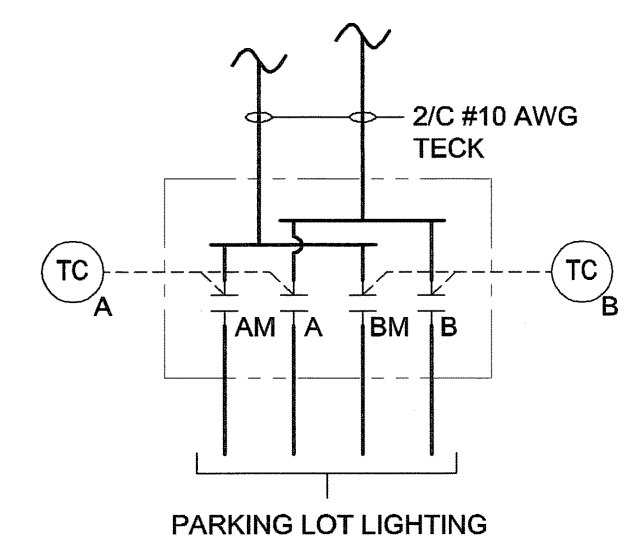
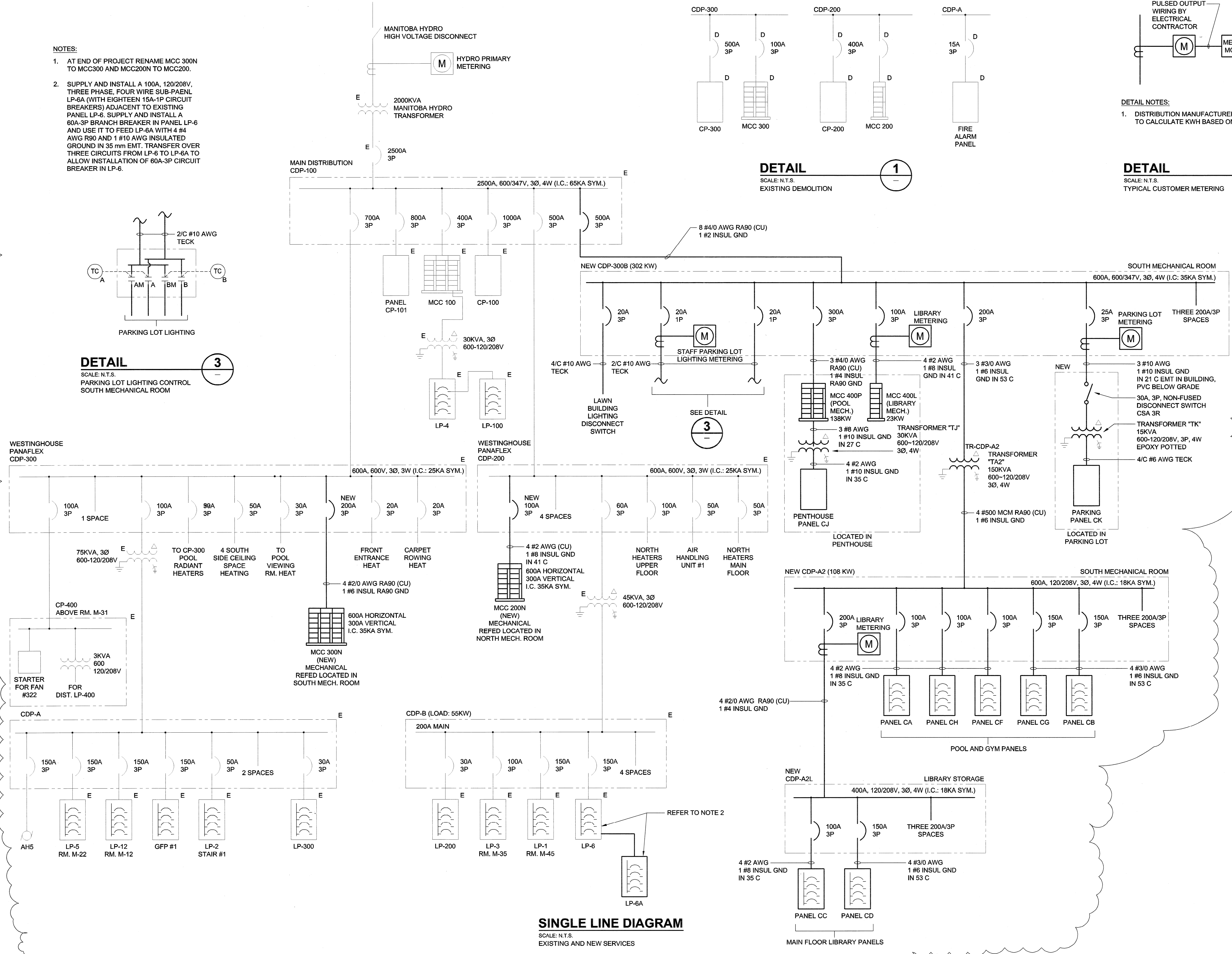


UMA FILE NAME: F963-001-01-E-7001_RX.dwg
 DATE: 2007.02.21
 DESCRIPTION: Second Floor Demolition
 PROJECT No: F963-001-01
 ADDRESS: 999 Sargent St. Winnipeg, Manitoba
 PLOT: 07/08/22 2:35:36 PM

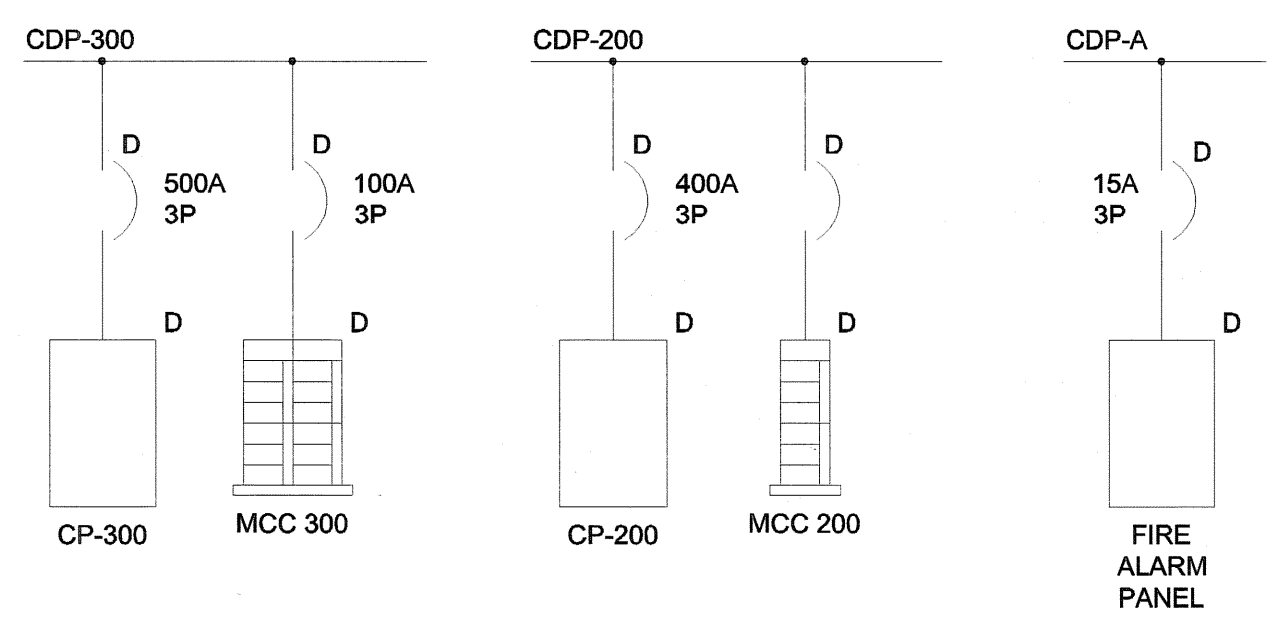
- NOTES:**
1. AT END OF PROJECT RENAME MCC 300N TO MCC300 AND MCC200N TO MCC200.
 2. SUPPLY AND INSTALL A 100A, 120/208V, THREE PHASE, FOUR WIRE SUB-PANEL LP-6A (WITH EIGHTEEN 15A-1P CIRCUIT BREAKERS) ADJACENT TO EXISTING PANEL LP-6. SUPPLY AND INSTALL A 60A-3P BRANCH BREAKER IN PANEL LP-6 AND USE IT TO FEED LP-6A WITH 4 #4 AWG R90 AND 1 #10 AWG INSULATED GROUND IN 35 mm EMT. TRANSFER OVER THREE CIRCUITS FROM LP-6 TO LP-6A TO ALLOW INSTALLATION OF 60A-3P CIRCUIT BREAKER IN LP-6.



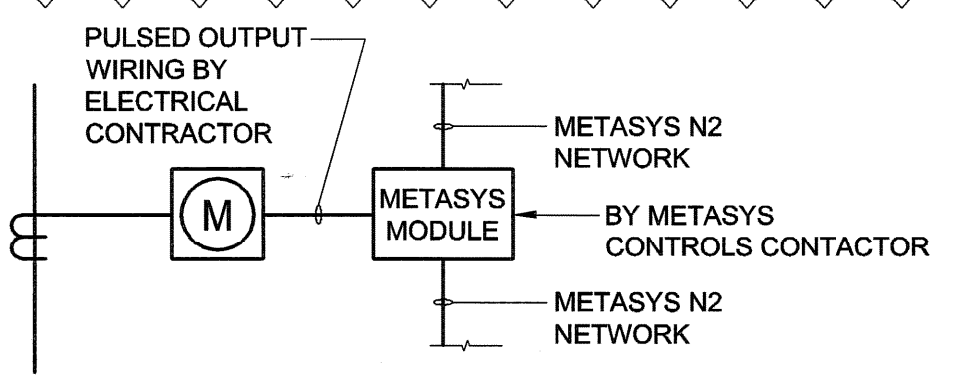
DETAIL 3
 SCALE: N.T.S.
 PARKING LOT LIGHTING CONTROL SOUTH MECHANICAL ROOM



SINGLE LINE DIAGRAM
 SCALE: N.T.S.
 EXISTING AND NEW SERVICES



DETAIL 1
 SCALE: N.T.S.
 EXISTING DEMOLITION



DETAIL 2
 SCALE: N.T.S.
 TYPICAL CUSTOMER METERING

UMA | AECOM
 © 2007 UMA ENGINEERING LTD. ALL RIGHTS RESERVED.

APEGM
 Certificate of Authorization
 UMA Engineering Ltd. (MB)
 No. 256 Date: Aug 21, 2007

DRN	CHK	DES	ENG	IDR

UMA | AECOM REVIEW

NO.	REVISION/DESCRIPTION	BY	DATE
1	ISSUED FOR ADDENDUM #2	QL	07/08/21
0	ISSUED FOR TENDER	QL	07/07/23

SEALS

PROVINCE OF MANITOBA
 REGISTERED PROFESSIONAL ENGINEER
 SMART
 Member
 20996
 Aug 21, 2007

DRAWN BY: QL
 CHECKED BY: USER APPROVAL
 DATE: 2007.02.21

CITY OF WINNIPEG
 PLANNING, PROPERTY & DEVELOPMENT DEPARTMENT
 CIVIC ACCOMMODATIONS DIVISION
 300 - 65 GARRY ST. R3C 4K4

PROJECT
Construction of Cindy Klassen Recreation Complex Facility Enhancement Project
 999 Sargent St. Winnipeg, Manitoba

SHEET TITLE
Electrical Single Line Diagram Demolition and Existing Services

SCALE: N.T.S. PROJECT NO: 2005-059 SHEET NO: **E7.1**

DRAWING SHEET SIZE: A1 (841mm x 594mm) PLOT 1:1