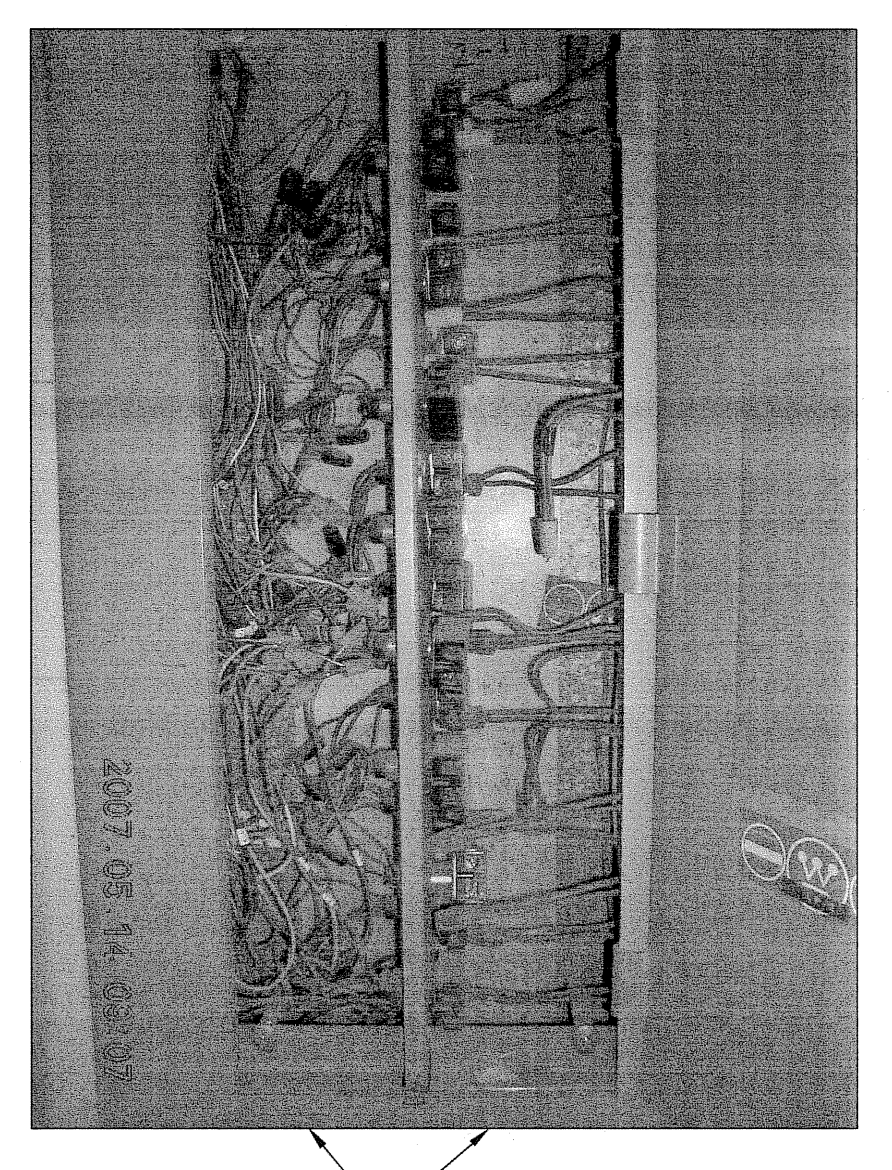
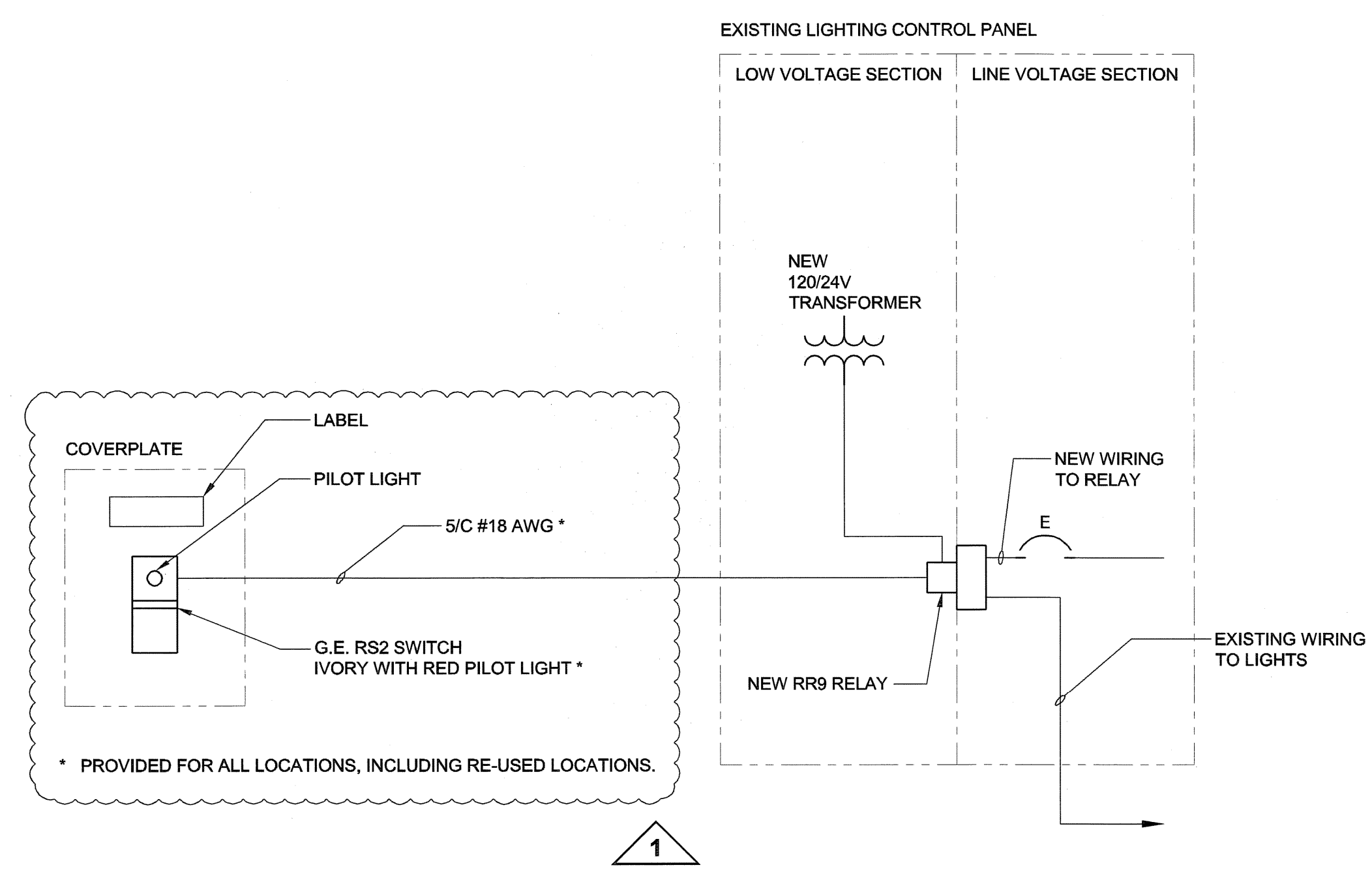


UMA FILE NAME: F983-001-01-E-7004\_RX.dwg  
 DATE: 2007.02.21  
 DESCRIPTION: Second Floor Demolition  
 PROJECT No: F983-001-01  
 ADDRESS: 999 Sargent St. Winnipeg, Manitoba  
 PLOT: 070822 2:33:26 PM

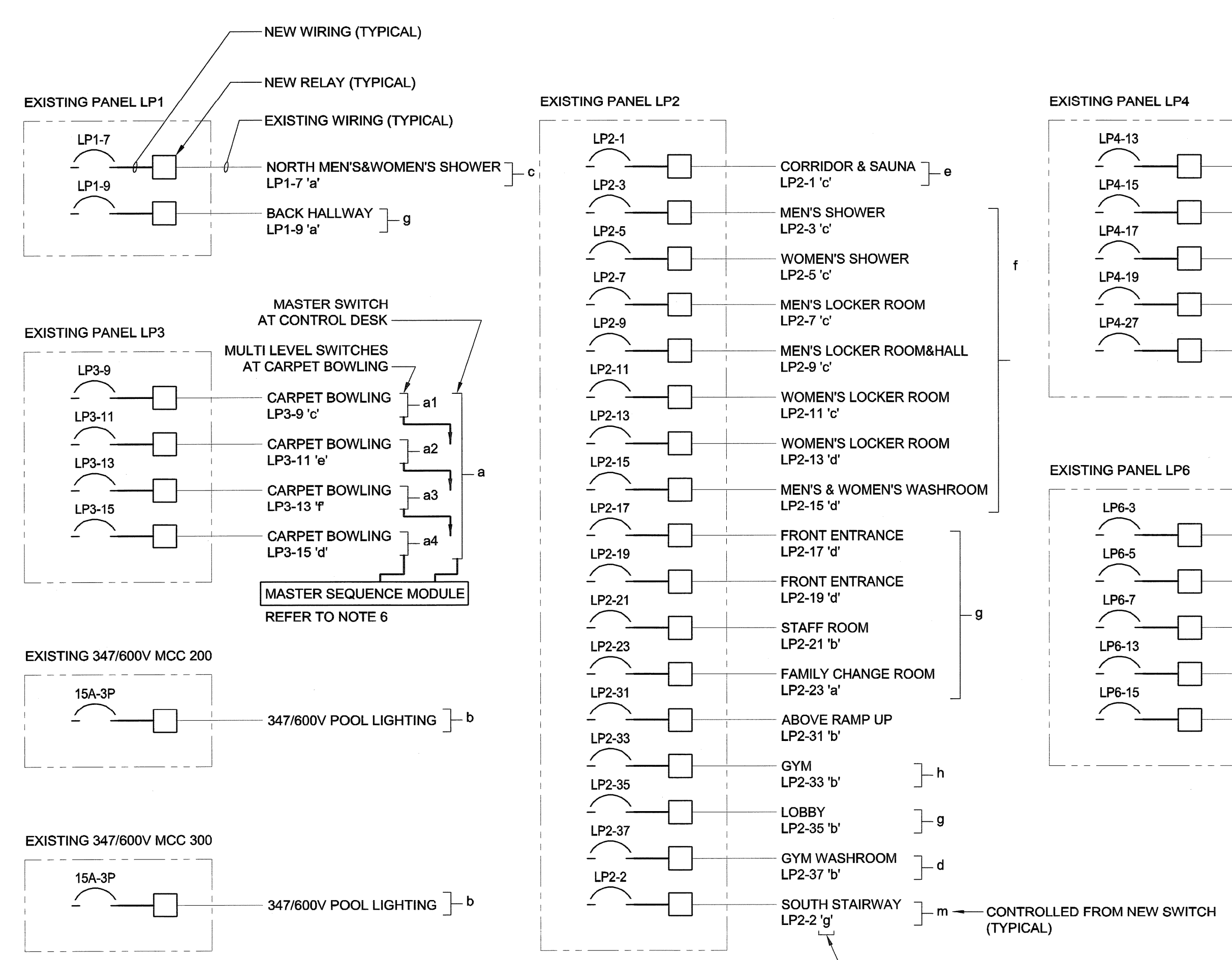


EXISTING RELAYS AND L.V. WIRING TO BE REMOVED. REFER TO NOTE 1 (TYPICAL)

- NOTES:
- EXISTING G.E. L.V. LIGHTING CONTROL SYSTEM IS NON FUNCTIONAL AND REQUIRES REFURBISHMENT. REMOVE ALL EXISTING L.V. LIGHTING CONTROL SWITCHES, WIRING AND RELAYS AND REPLACE WITH NEW. PROVIDE NEW SWITCH FUNCTIONALITY AS SHOWN.
  - DESIGN IS BASED ON G.E. SYSTEM. APPROVED MANUFACTURERS:
    - G.E. TOTAL LIGHTING CONTROL
    - WATT STOPPER
    - DOUGLAS
 CONTACT PETER STOKES OF CONTEMPORARY LIGHTING (TEL: 633-2225) FOR G.E. L.V. CONTROL.
  - CIRCUITS IN EXISTING AREAS (PANELS) ARE SHOWN TO ILLUSTRATE SCOPE OF WORK ONLY. CONFIRM LIGHTING IN AREAS INDICATED IS FED FROM CIRCUIT SHOWN. PROVIDE LISTING OF RESULTS OF INVESTIGATION INTO CIRCUITING TO ENGINEER.
  - ALLOW FOR AN ADDITIONAL 5 RELAYS/CIRCUITS PER PANEL.
  - NEW SWITCH DESIGNATIONS DO NOT MATCH EXISTING SWITCH DESIGNATIONS FROM EXISTING 1977 AS-BUILT DRAWINGS DUE TO INCONSISTENCY IN 1977 NAMING CONVENTION. 1977 AS-BUILT DRAWINGS ARE AVAILABLE IF REQUESTED.
  - PROVIDE MASTER SEQUENCE MODULE SO THAT SWITCH AT CONTROL DESK TURNS OFF ALL LIGHTS (AND ASSOCIATED MULTI LEVEL SWITCHES) IN AREA(S) INDICATED.
  - REMOVED EXISTING LINE VOLTAGE SWITCHES FOR SPECTATOR VIEWING, PROVIDE NEW LOW VOLTAGE SWITCHES.

TYPICAL SINGLE SWITCH/SINGLE BREAKER WIRING

TYPICAL EXISTING PANEL WIRING



RELAY ZONING



SWITCH BLOCK DIAGRAM

**DETAIL**  
 SCALE: N.T.S.  
 EXISTING LOW VOLTAGE LIGHTING CONTROL UPGRADE

UMA | AECOM

© 2007 UMA ENGINEERING LTD. ALL RIGHTS RESERVED.

**APECM**  
 Certificate of Authorization  
 UMA Engineering Ltd. (MB)  
 No. 256 Date: Aug 21, 2007

DRN	CHK	DES	ENG	IDR

UMA | AECOM REVIEW

1	ISSUED FOR ADDENDUM #2	QL	07/08/21
0	ISSUED FOR TENDER	QL	07/07/23

NO. REVISION/DESCRIPTION BY DATE

SEALS

PROVINCE OF MANITOBA  
 S. K. SMART  
 Member  
 20996  
 03/21/2007  
 REGISTERED PROFESSIONAL ENGINEER

DRAWN BY: [Signature] CHECKED BY: [Signature] APPROVED: [Signature]

DATE: 2007.02.21 USER APPROVAL

CITY OF WINNIPEG  
 PLANNING, PROPERTY & DEVELOPMENT DEPARTMENT  
 CIVIC ACCOMMODATIONS DIVISION  
 300 - 65 GARRY ST. R3C 4K4

PROJECT  
 Construction of Cindy Klassen  
 Recreation Complex Facility  
 Enhancement Project  
 999 Sargent St. Winnipeg, Manitoba

SHEET TITLE  
 Electrical  
 Details

SCALE N.T.S.	PROJECT NO. 2005-059	SHEET NO. E7.4
-----------------	-------------------------	-------------------

DRAWING SHEET SIZE: A1 (841mm x 594mm) PLOT 1:1