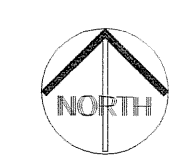
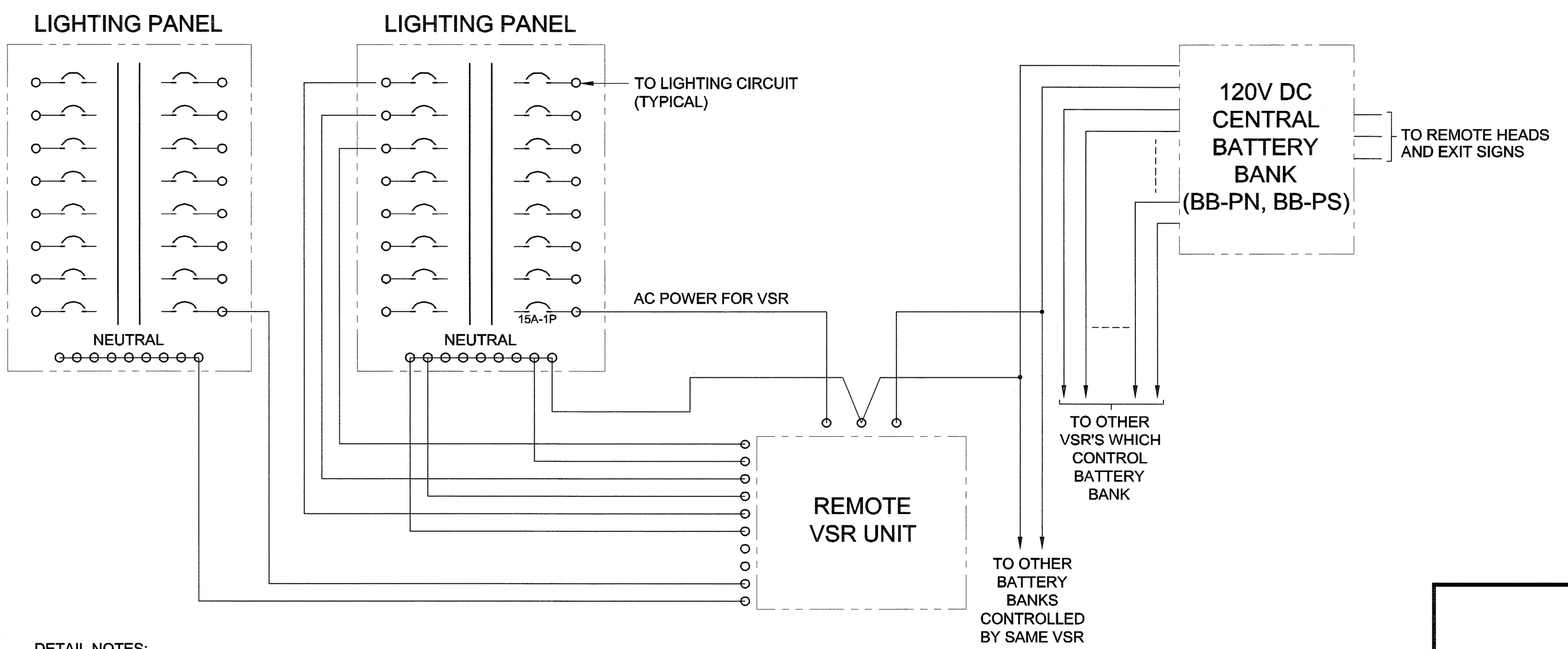


FILE NAME: F563-001-01-E-2001-RX.dwg  
 DATE: 2007.02.21  
 DESCRIPTION: Second Floor Demolition  
 PROJECT No: F563-001-01  
 ADDRESS: 989 Sargent St. Winnipeg, Manitoba  
 PLOT: 07/8222 3-222-05.PM  
 UMA FILE NAME: F563-001-01-E-2006-RX.dwg



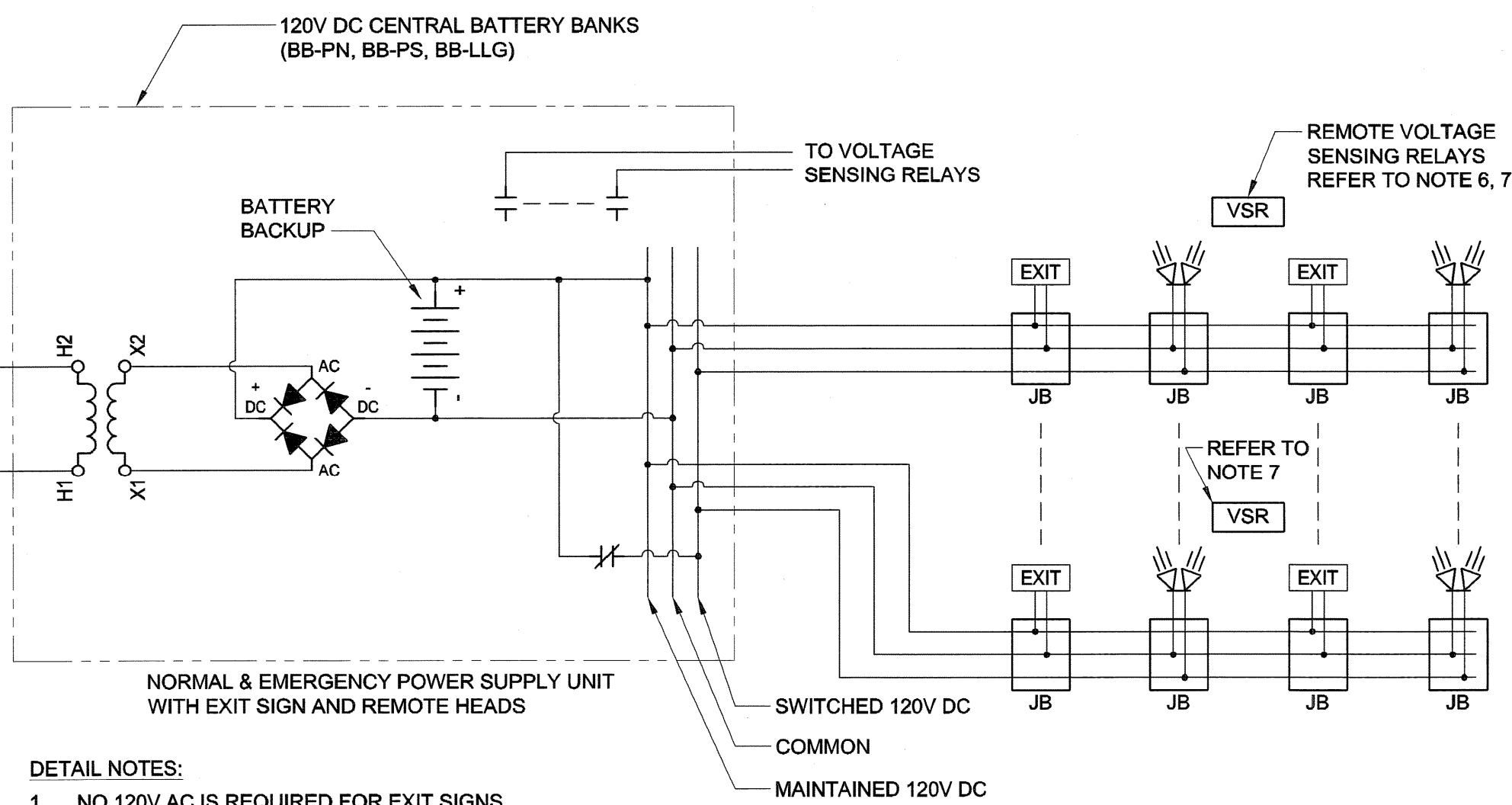
EMERGENCY LIGHTING SCHEDULE					
TYPE	DESIGNATION	MANUFACTURER	CATALOGUE NO.	VOLTAGE	REMARKS
EXIT SIGNS SINGLE SIDED	EXIT	LUMACELL	LER450-120VDC	120V DC	SINGLE FACE, UNIVERSAL MOUNT, FACTORY WHITE, 120V DC POWER, CSA-C860-96 CERTIFIED LED EXIT SIGN
	EXIT WP	LUMACELL	LER3500-WH-120VDC-4X	120V DC	SINGLE FACE, UNIVERSAL MOUNT, FACTORY WHITE, 120V DC POWER WITH NEMA 4X (WET LOCATION), CSA-C860-96 CERTIFIED LED EXIT SIGN
EXIT SIGNS DOUBLE SIDED	EXIT	LUMACELL	LER460-120VDC	120V DC	DOUBLE FACE, UNIVERSAL MOUNT, FACTORY WHITE, 120V DC POWER, CSA-C860-96 CERTIFIED LED EXIT SIGN
	EXIT WP	LUMACELL	LER3600-WH-120VDC-4X	120V DC	DOUBLE FACE, UNIVERSAL MOUNT, FACTORY WHITE, 120V DC POWER WITH NEMA 4X (WET LOCATION), CSA-C860-96 CERTIFIED LED EXIT SIGN
EMERGENCY HEADS	XX XX: 20W 35W 50W	LUMACELL	DR2130-GU10-XX	120V DC	2 SPOTS, WHITE WITH GU10, 120V DC LAMP, WATTAGE AS INDICATED
	XX WP XX: 20W 35W 50W	LUMACELL	RS20 WP-GU10-XX	120V DC	2 SPOTS, WATERPROOF, WHITE WITH GU10, 120V DC LAMP, WATTAGE AS INDICATED
BATTERY UNITS	BB-PN (POOL NORTH)	LUMACELL	LS600VAC-SL11260-50E-C-120VDC-30-ZSC07-GL-FC-RAP-SPF-BRO-BMEC-DPF24	600V AC INPUT 120V DC OUTPUT	120V DC BATTERY BANK, RATED 11260W WITH 600V AC INPUT AND 120V DC OUTPUT, SEALED MAINTENANCE FREE LEAD CALCIUM, TIME DELAY, REMOTE VOLTAGE SENSING RELAYS
	BB-PS (POOL SOUTH)	LUMACELL	LS600VAC-SL6400-50E-C-120VDC-30-ZSC07-GL-FC-RAP-SPF-BRO-BMEC-DPF24	600V AC INPUT 120V DC OUTPUT	120V DC BATTERY BANK, RATED 6400W WITH 600V AC INPUT AND 120V DC OUTPUT, SEALED MAINTENANCE FREE LEAD CALCIUM REMOTE VOLTAGE SENSING RELAYS
	BB-LLG (LIBRARY, LOBBY, GYM)	LUMACELL	LS600VAC-SL6400-50E-C-120VDC-30-ZSC07-GL-FC-RAP-SPF-BRO-BMEC-DPF24	600V AC INPUT 120V DC OUTPUT	120V DC BATTERY BANK, RATED 6400W WITH 600V AC INPUT AND 120V DC OUTPUT, SEALED MAINTENANCE FREE LEAD CALCIUM INTEGRAL VOLTAGE SENSING RELAYS
REMOTE VOLTAGE SENSING RELAY	VSR-LP1	LUMACELL	VSR8-120-EXT	120V AC POWER 120V AC SENSING	
	VSR-LP2/B	LUMACELL	VSR15-120-EXT		
	VSR-LP3	LUMACELL	VSR8-120-EXT		
	VSR-LP4	LUMACELL	VSR12-120-EXT		
	VSR-LP6	LUMACELL	VSR8-120-EXT		
	VSR-MCC200	LUMACELL	VSR4-600-EXT	120V AC POWER 600V AC SENSING (CONFIRM)	CONFIRM VOLTAGE OF POOL LIGHTING AND ADJUST VSR VOLTAGE ACCORDINGLY. (UNCLEAR WHETHER 347V OR 600V)
VOLTAGE SENSING RELAY	VSR-LLG	LUMACELL			INTEGRAL TO BATTERY BANK BB-LLG

NOTES:  
 1. ALL EXIT SIGNS ARE TO BE POWER SMART APPROVED.



DETAIL NOTES:  
 1. PROVIDE 120V CIRCUIT TO POWER EACH REMOTE VOLTAGE SENSING RELAY (VSR) PANEL. CONNECT TO SPACE IN PANEL.

**DETAIL**  
 SCALE: N.T.S.  
 TYPICAL REMOTE VSR CONNECTION



DETAIL NOTES:  
 1. NO 120V AC IS REQUIRED FOR EXIT SIGNS.  
 2. ALL WIRING IN CONDUIT.  
 3. MULTIPLE CIRCUITS ARE REQUIRED. (VOLTAGE DROP & LOADING DEPENDANT)  
 4. SUBMIT CABLE ROUTE AND ASSOCIATED VOLTAGE DROP CALCULATION CONFIRMING LESS THAN 5% DROP TO FURTHEST DEVICE.  
 5. MULTIPLE VOLTAGE SENSING RELAYS ARE REQUIRED SO THAT FAILURE OF ONE NORMAL LIGHTING CIRCUIT WILL ILLUMINATE EMERGENCY LIGHTING.  
 6. REFER TO EMERGENCY LIGHTING VOLTAGE SENSING RELAY SCHEDULE FOR CIRCUITS REQUIRED TO CONNECT TO VOLTAGE SENSING RELAYS.  
 7. MANUFACTURER TO ADVISE NUMBER OF VOLTAGE SENSING RELAYS REQUIRED. GENERALLY, VOLTAGE SENSING RELAYS WILL BE INSTALLED ADJACENT TO PANEL CONTAINING CIRCUITS THEY SERVE.

**DETAIL**  
 SCALE: N.T.S.  
 120V DC EMERGENCY LIGHTING SYSTEM

EXISTING BUILDING, BATTERY BANK BB-PN				
CIRCUIT	120V	600V	AREA LIGHTING CIRCUIT SERVES	VSR
LP4-4	*		BASEMENT POOL MECH ROOM	VSR-LP4
LP4-11	*		BASEMENT MECH & ELEC ROOM	VSR-LP4
LP4-13	*		BASEMENT TRACK	VSR-LP4
LP4-23	*		BASEMENT NORTH MECHANICAL ROOM	VSR-LP4
LP4-27	*		NORTH STAIRWAY	VSR-LP4
LP4-3	*		MAINTENANCE EQUIPMENT	VSR-LP4
LP1-7	*		MALE&FEMALE STAFF LOCKERS	VSR-LP1
LP1-7	*		NORTH MEN'S & WOMEN'S SHOWER	VSR-LP1
LP1-9	*		BACK HALLWAY	VSR-LP1
MCC200	*		POOL	VSR-MCC200
LP2-33	*		GYM	VSR-LP2/B
LP2-37	*		GYM'S WASHROOM	VSR-LP2/B
LP6-1	*		SECOND FLOOR NORTH MECHANICAL ROOM	VSR-LP6
LP6-3	*		SPECTATOR VIEWING	VSR-LP6
LP2-31	*		ABOVE RAMP UP	VSR-LP2/B

EXISTING BUILDING, BATTERY BANK BB-PS				
CIRCUIT	120V	600V	AREA LIGHTING CIRCUIT SERVES	VSR
LP3-1	*		SOUTH WEST MEN'S & WOMEN'S LOCKER	VSR-LP3
LP3-9	*		CARPET BOWLING	VSR-LP3
LP2-1	*		CORRIDOR & SAUNA	VSR-LP2/B
LP2-7	*		MEN'S LOCKER ROOM	VSR-LP2/B
LP2-11	*		WOMEN'S LOCKER ROOM	VSR-LP2/B
LP2-2	*		SOUTH STAIRWAY	VSR-LP2/B
B-??	*		FAMILY CHANGE ROOM	VSR-LP2/B
LP2-25h	*		FRONT ENTRANCE	VSR-LP2/B
LP2-39	*		2ND FLOOR VOID SPACE ABOVE MEN'S LOCKER ROOM	VSR-LP2/B
LP2-41	*		SOUTH MECHANICAL ROOM	VSR-LP2/B

NEW BUILDING, BATTERY BANK BB-LLG				
CIRCUIT	120V	600V	AREA LIGHTING CIRCUIT SERVES	VSR
CH01	*		CRAWL SPACE	VSR-LLG
CH03	*		CRAWL SPACE	VSR-LLG
CC14	*		STAFF & WASHROOM	VSR-LLG
CC06	*		LIBRARY	VSR-LLG
CA07	*		LOBBY	VSR-LLG
CA15	*		LOBBY PUBLIC WC	VSR-LLG
CA09	*		VESTIBULE	VSR-LLG
CF01	*		TRACK	VSR-LLG
CF02	*		TRACK PUBLIC WC	VSR-LLG
CF01	*		ROOF MECH PENTHOUSE	VSR-LLG
CJ03	*		SERVICE SPACE ABOVE ROOF	VSR-LLG

VSR SCHEDULE NOTES:  
 1. EMERGENCY LIGHTING IS TO ILLUMINATE WHEN CIRCUIT SUPPLYING LIGHTING IN AREA WHERE EMERGENCY LIGHTING IS INSTALLED FAILS. WHERE 24 HOUR/NIGHT LIGHTING IS INSTALLED, PREFERENCE IS GIVEN FOR THIS CIRCUIT.  
 2. LIGHTING CIRCUITS SHOWN FOR EXISTING AREAS ARE BASED ON 1977 AS-BUILT DRAWINGS AND MAY NOT BE CORRECT. INVESTIGATE TO CONFIRM CORRECT CIRCUITS. 1977 AS-BUILT DRAWING CAN BE PROVIDED.  
 3. ALLOW FOR CONNECTING AN ADDITIONAL 5 CIRCUITS TO EACH BATTERY BANK VOLTAGE SENSING RELAYS (5 IN TOTAL NEW BATTERY BANK).  
 4. REVIEW LOCATION FOR VOLTAGE SENSING RELAYS WITH ENGINEER BEFORE PROCEEDING WITH INSTALLATION. INSTALL VOLTAGE SENSING RELAYS IN ELECTRICAL SERVICE ROOMS.

UMA | AECOM  
 © 2007 UMA ENGINEERING LTD. ALL RIGHTS RESERVED.

**APEGM**  
 Certificate of Authorization  
 UMA Engineering Ltd. (MB)  
 No. 256 Date: Aug 21, 2007

DRN	CHK	DES	ENG	IDR

UMA | AECOM REVIEW

0	ISSUED FOR ADDENDUM #2	QL	07/08/21
---	------------------------	----	----------

NO.	REVISION/DESCRIPTION	BY	DATE
-----	----------------------	----	------

SEALS

DRAWN BY: [Signature] | CHECKED BY: [Signature] | APPROVED: [Signature]  
 DATE: 2007.02.21 | USER APPROVAL

CITY OF WINNIPEG  
 PLANNING, PROPERTY & DEVELOPMENT DEPARTMENT  
 CIVIC ACCOMMODATIONS DIVISION  
 300 - 65 GARRY ST. R3C 4K4

PROJECT  
**Construction of Cindy Klassen  
 Recreation Complex Facility  
 Enhancement Project**  
 989 Sargent St. Winnipeg, Manitoba

SHEET TITLE  
**Electrical  
 Emergency Lighting Schedule  
 and Voltage Sensing Relay Connection Detail**

SCALE	PROJECT NO.	SHEET NO.
N.T.S.	2005-059	E7.6

DRAWING SHEET SIZE: A1 (841mm x 594mm) PLOT 1:1

**EMERGENCY LIGHTING VOLTAGE SENSING RELAY SCHEDULE**