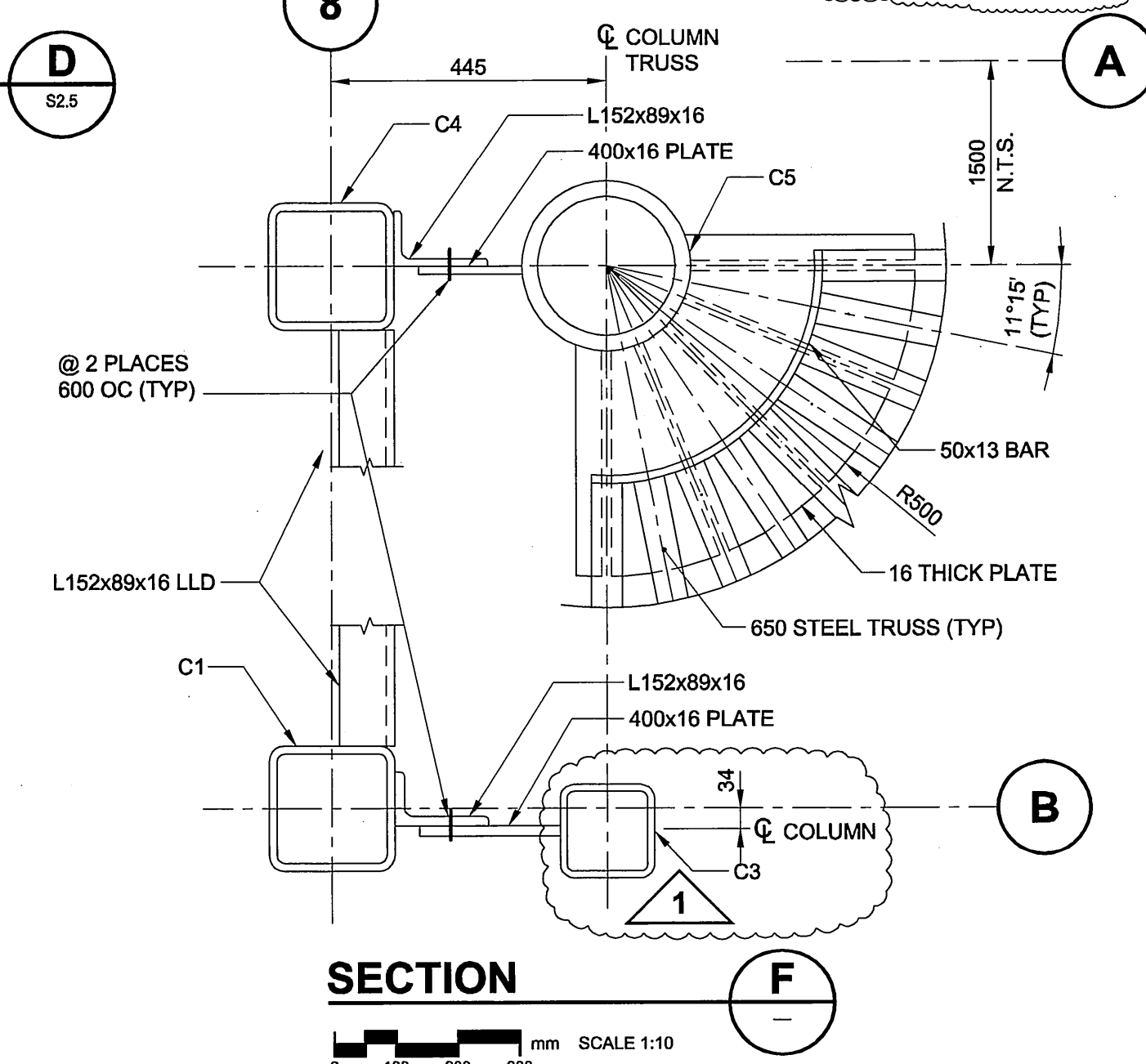
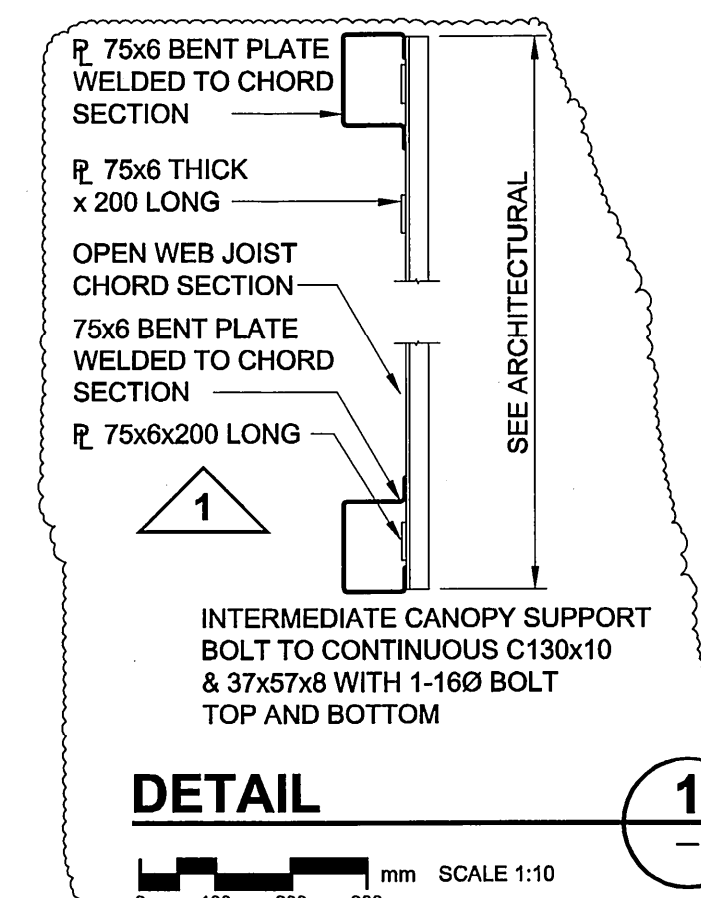
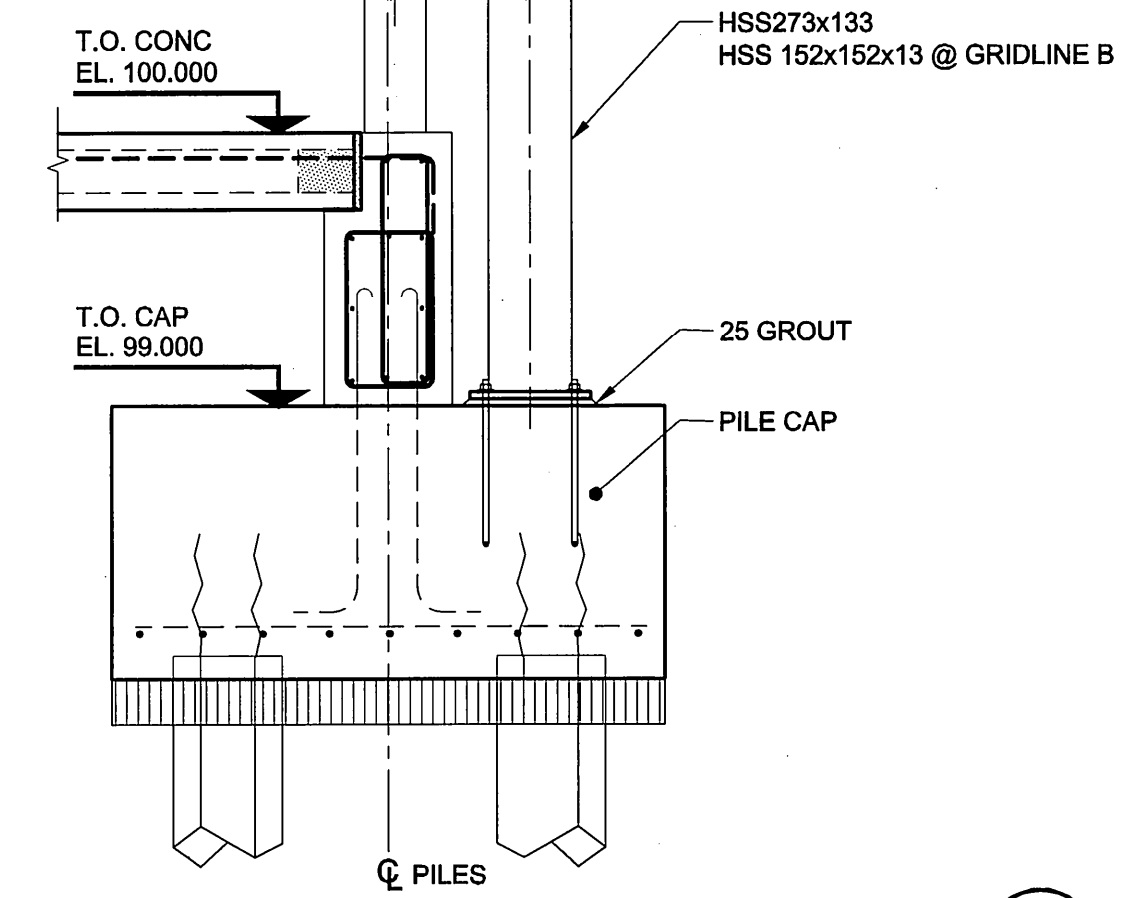
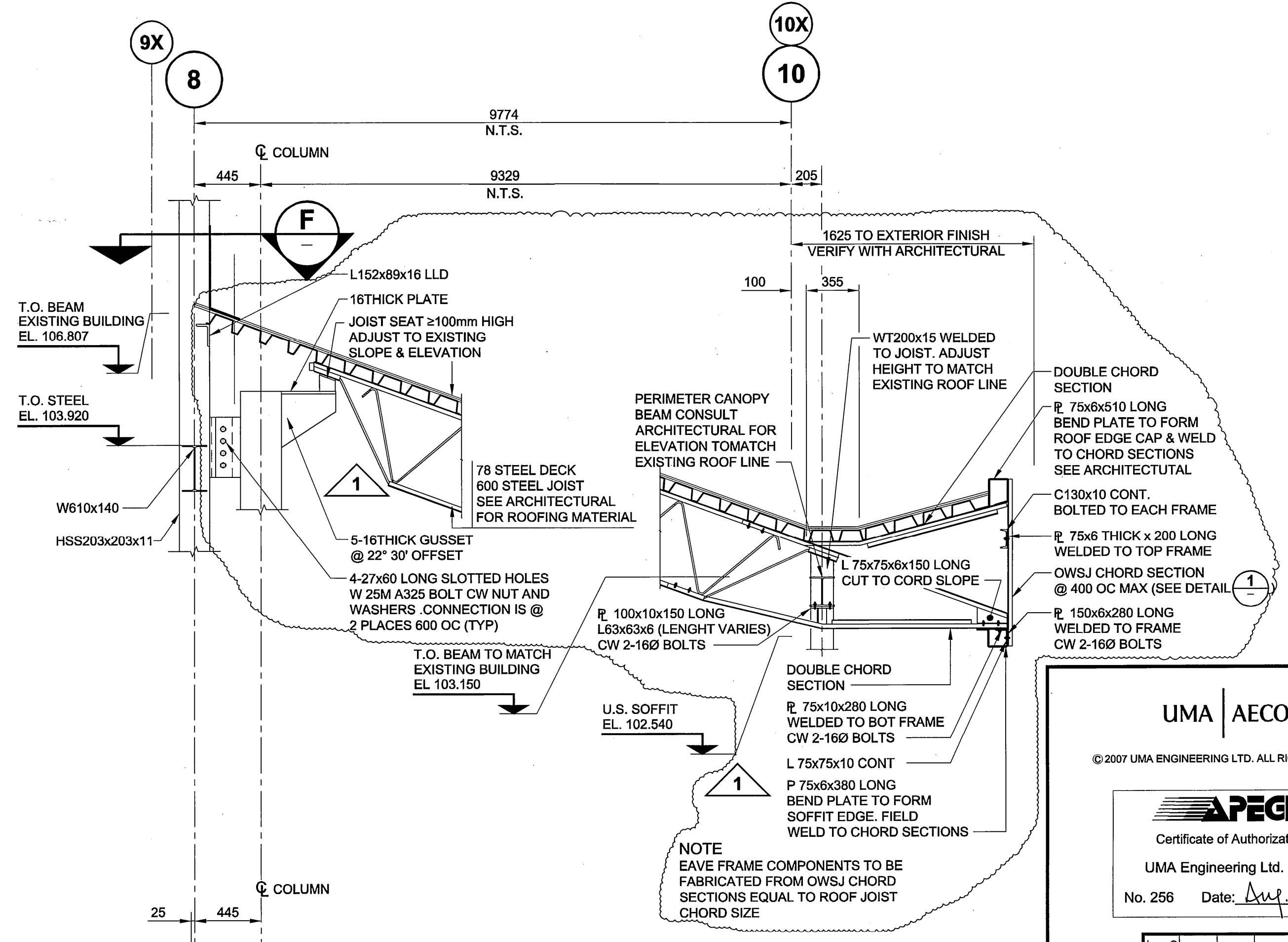
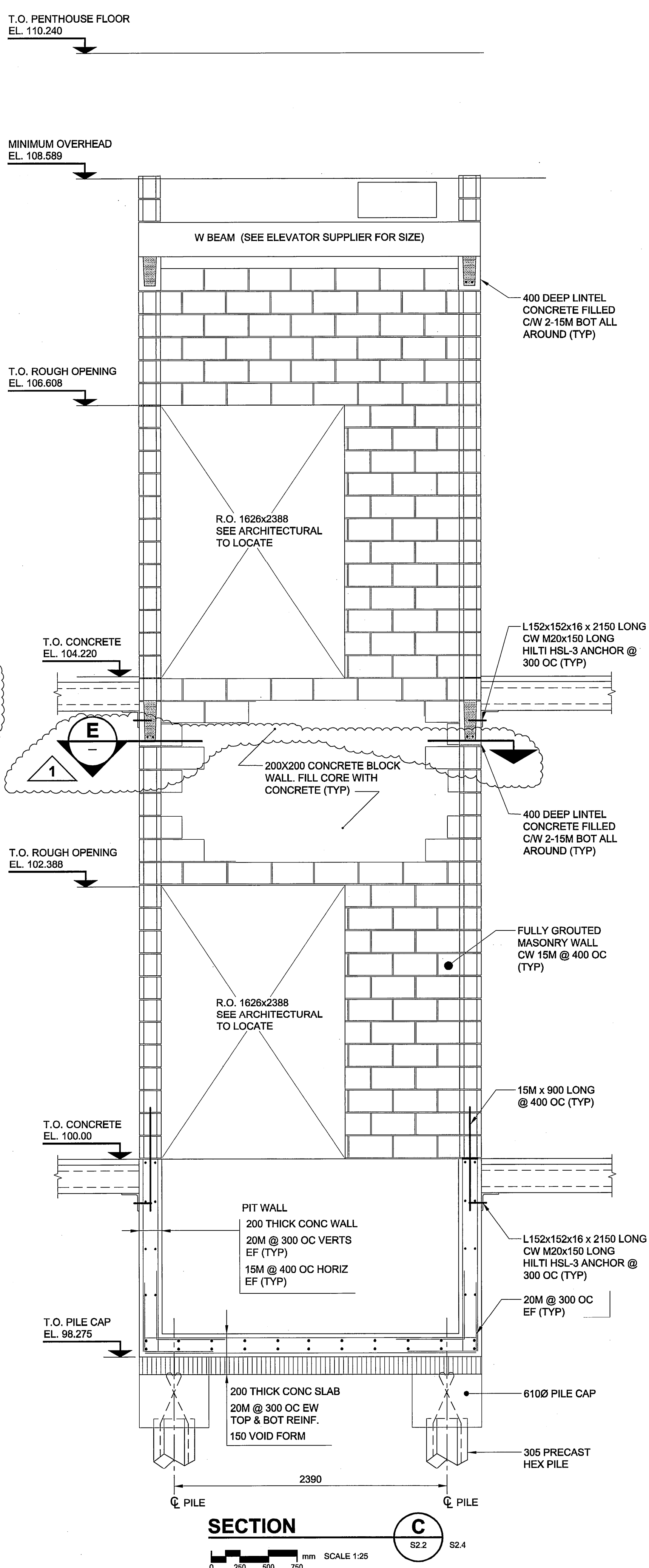
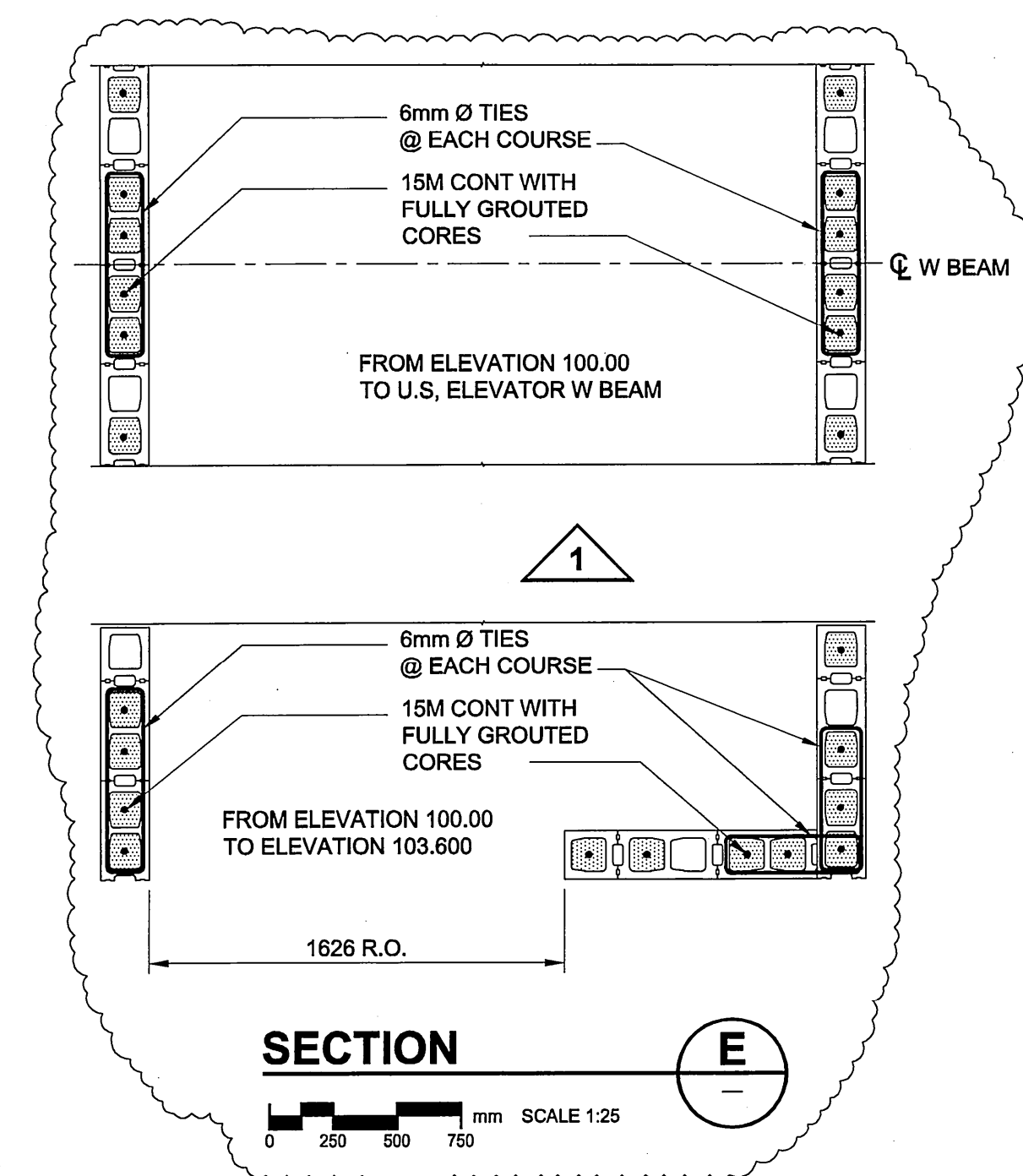
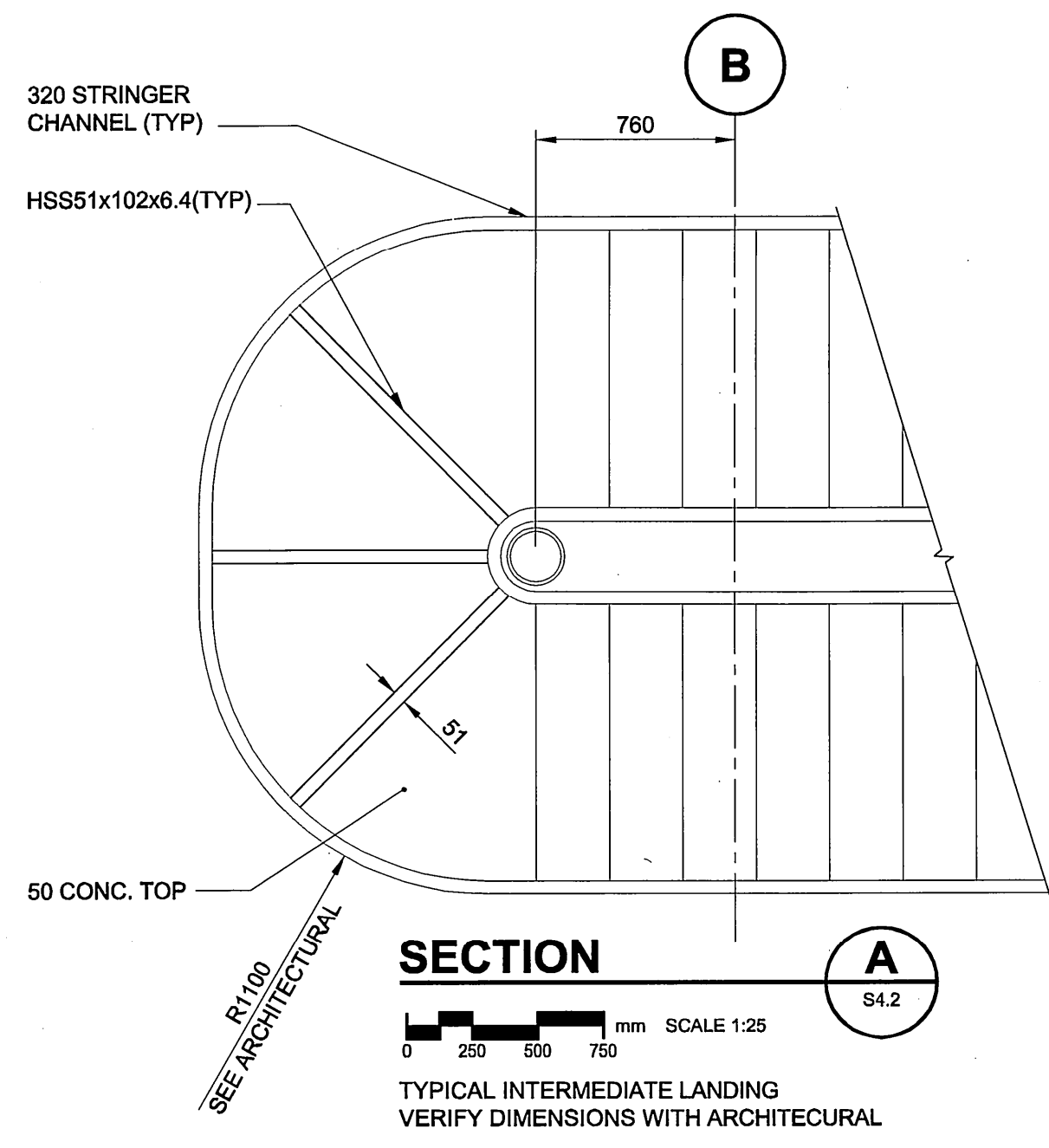


UMA FILE NAME: F893-001-01_01-S-004_RX.dwg
 DATE: 2007.02.21
 DESCRIPTION: DETAILS AND ELEVATIONS
 PROJECT No: F893-001-01
 PLOT: 07/08/21 9:31:01 AM
 ADDRESS: 999 Sargent St. Winnipeg, Manitoba



UMA | AECOM
 © 2007 UMA ENGINEERING LTD. ALL RIGHTS RESERVED.

AECOM
 Certificate of Authorization
 UMA Engineering Ltd. (MB)
 No. 256 Date: Aug 21, 2007

DRN CHK DES ENG IDR
 UMA | AECOM REVIEW

NO.	REVISION/DESCRIPTION	BY	DATE
1	REVISED FOR ADDENDUM #2	MP	07/08/21
0	ISSUED FOR TENDER	DJH	07/07/17

SEALS

PROVINCE OF MANITOBA
 REGISTERED PROFESSIONAL ENGINEER
 B.L. LAU
 Aug 21, 2007

DRAWN BY: DJH CHECKED BY: USER APPROVAL APPROVED
 DATE: 2007.02.21

CITY OF WINNIPEG
 PLANNING, PROPERTY & DEVELOPMENT DEPARTMENT
 CIVIC ACCOMMODATIONS DIVISION
 300 - 65 GARRY ST. R3C 4K4

PROJECT
 Construction of Cindy Klassen
 Recreation Complex Facility
 Enhancement Project
 999 Sargent St. Winnipeg, Manitoba

SHEET TITLE
 Structural
 Details
 and Elevations

SCALE AS NOTED PROJECT NO. 2005-059 SHEET NO. S4.4
 DRAWING SHEET SIZE: A1 (841mm x 594mm) PLOT 1:1