

FILE NAME:

DATE: 2007.02.20

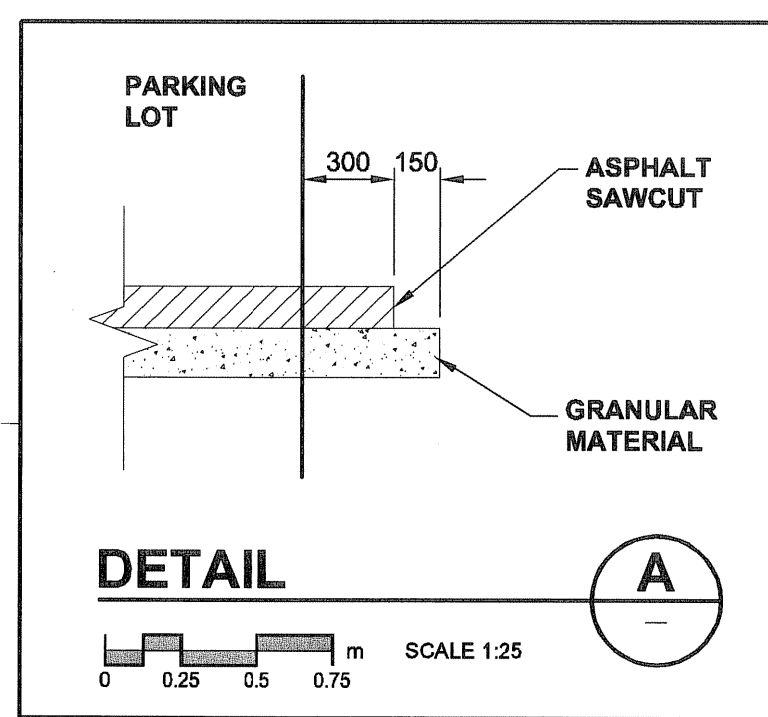
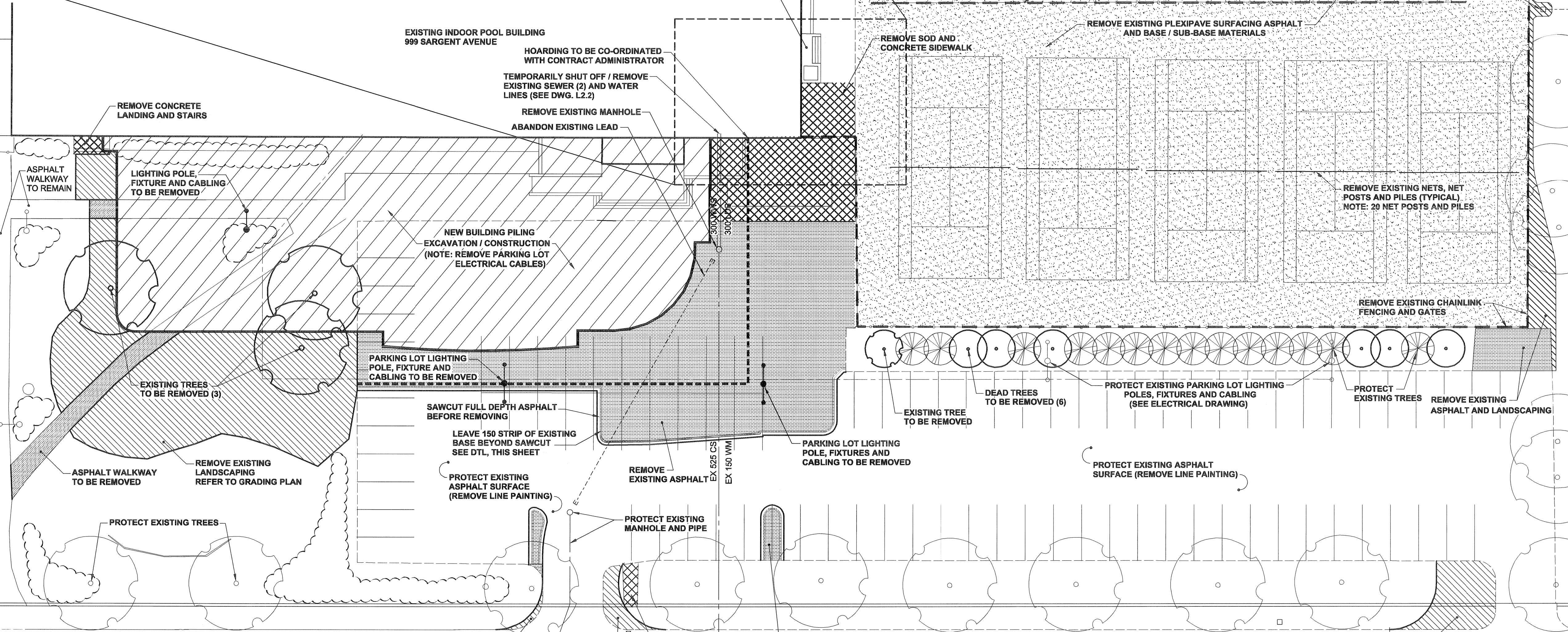
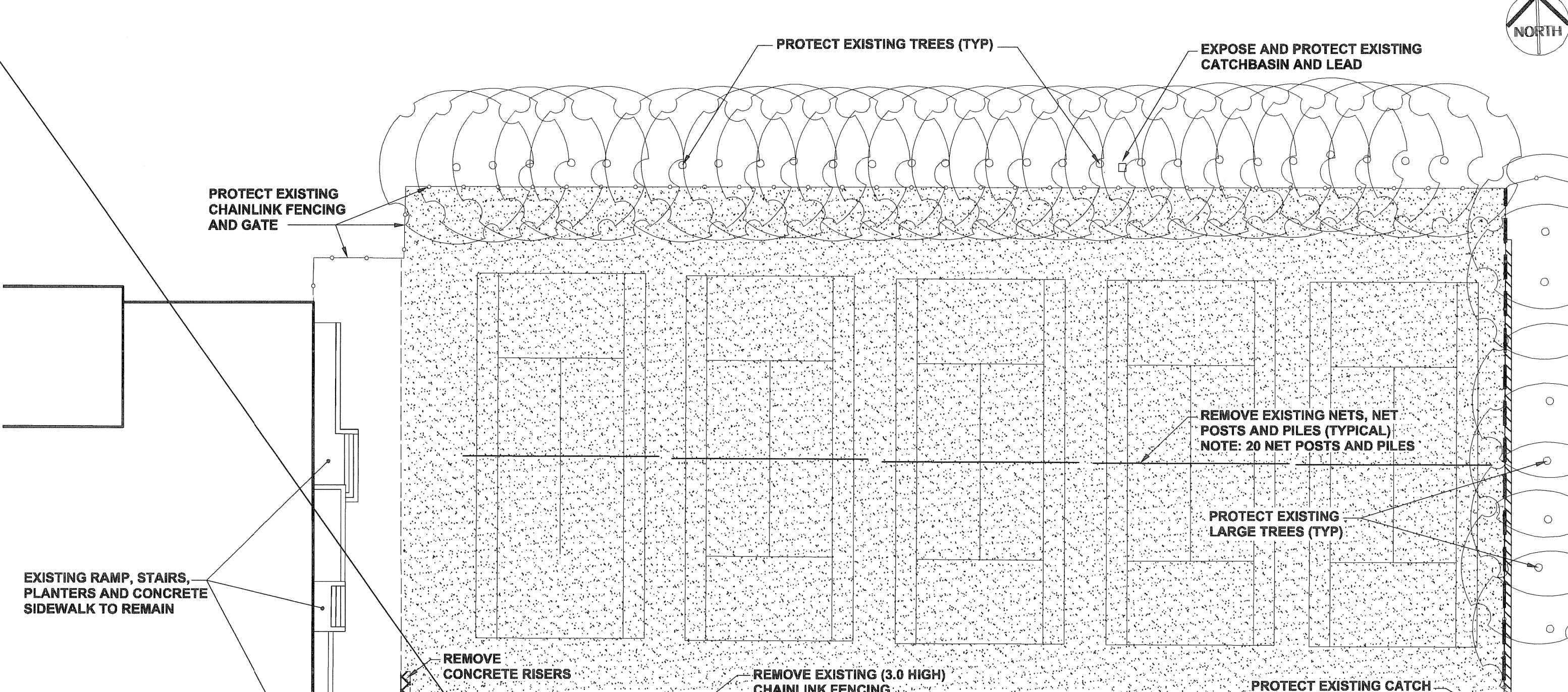
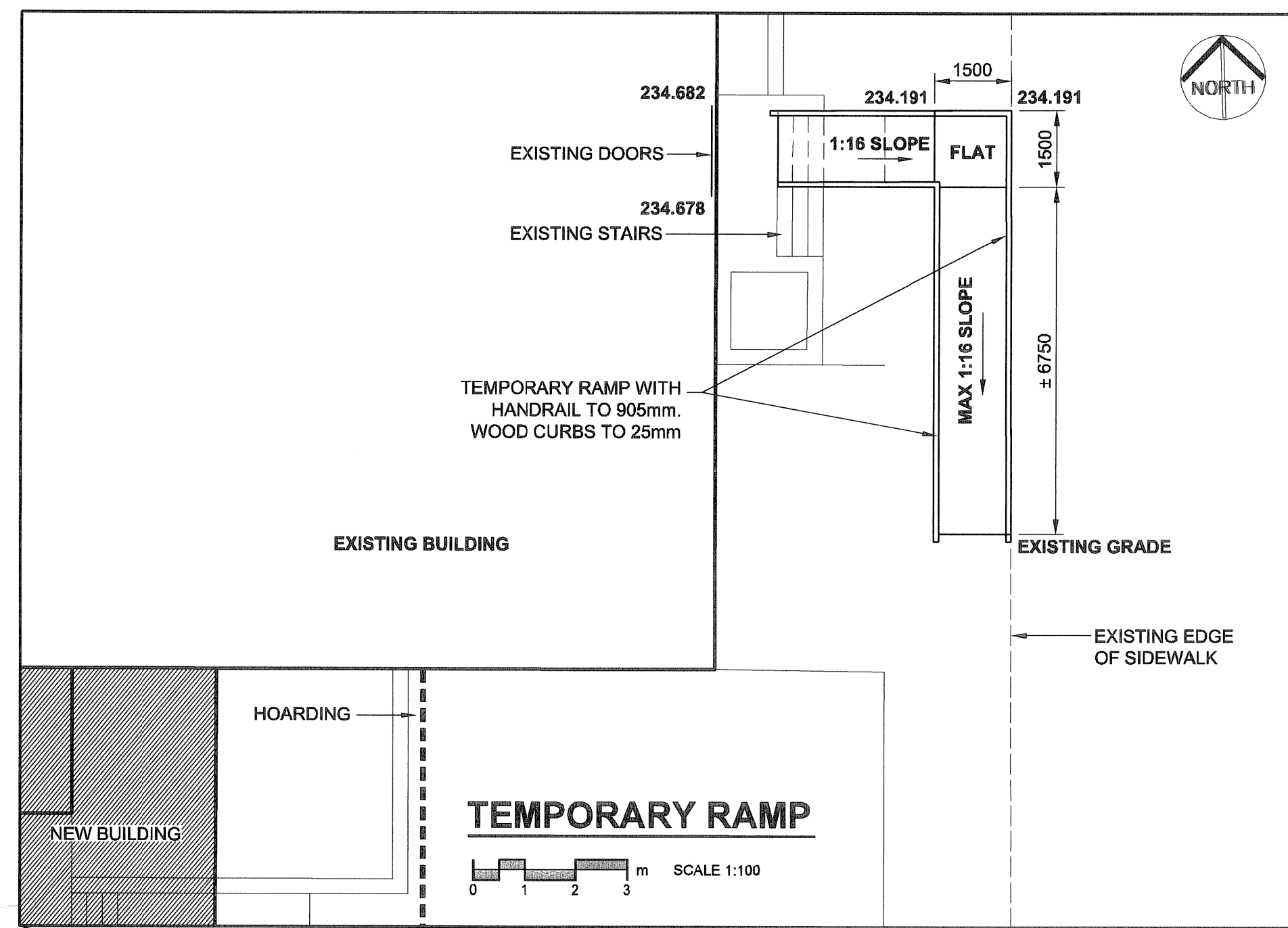
DESCRIPTION: Existing Site Removals Plan

PROJECT No.:

PLOT: 07/07/20 2:33:50 PM

UMA FILE NAME: F993.001-01_02-C-001_R1.dwg

ADDRESS: 999 Sargent Avenue, Winnipeg, MB



LEGEND

	EXISTING LANDSCAPING TO BE REMOVED
	NEW BUILDING EXCAVATION
	SOD, CONCRETE SIDEWALK AND RISERS TO BE REMOVED
	ASPHALT SURFACING TO BE REMOVED
	TENNIS SURFACE (TBR) TO BE REMOVED
	TENNIS COURT FENCE TO BE REMOVED
	ASPHALT SAWCUT (SEE DETAIL)
	EXISTING LIGHT STANDARD
	EXISTING MH
	EXISTING CB

UMA | AECOM

© 2006 UMA ENGINEERING LTD. ALL RIGHTS RESERVED.

APECM
Certificate of Authorization
UMA Engineering Ltd. (MB)
No. 256 Date: 07/07/20

UMA AECOM REVIEW

NO.	REVISION/DESCRIPTION	BY	DATE
0	ISSUED FOR TENDER	LJV	07/07/23

SEALS

The Manitoba Association of Landscape Architects
DONALD K. HESTER
member no. 32

DRAWN BY: WJC CHECKED BY: USER APPROVAL
DATE: 2007.07.20

CITY OF WINNIPEG
PLANNING, PROPERTY & DEVELOPMENT DEPARTMENT
CIVIC ACCOMMODATIONS DIVISION
300 - 65 GARRY ST. R3C 4K4

PROJECT
Construction of Cindy Klassen Recreation Complex Facility Enhancement Project
999 Sargent Avenue, Winnipeg, MB

SHEET TITLE
Site Removals

SCALE 1:250	PROJECT NO. 2005-059	SHEET NO. C0.1
----------------	-------------------------	-------------------

DRAWING SHEET SIZE: A1 (841mm x 594mm) PLOT 1:1