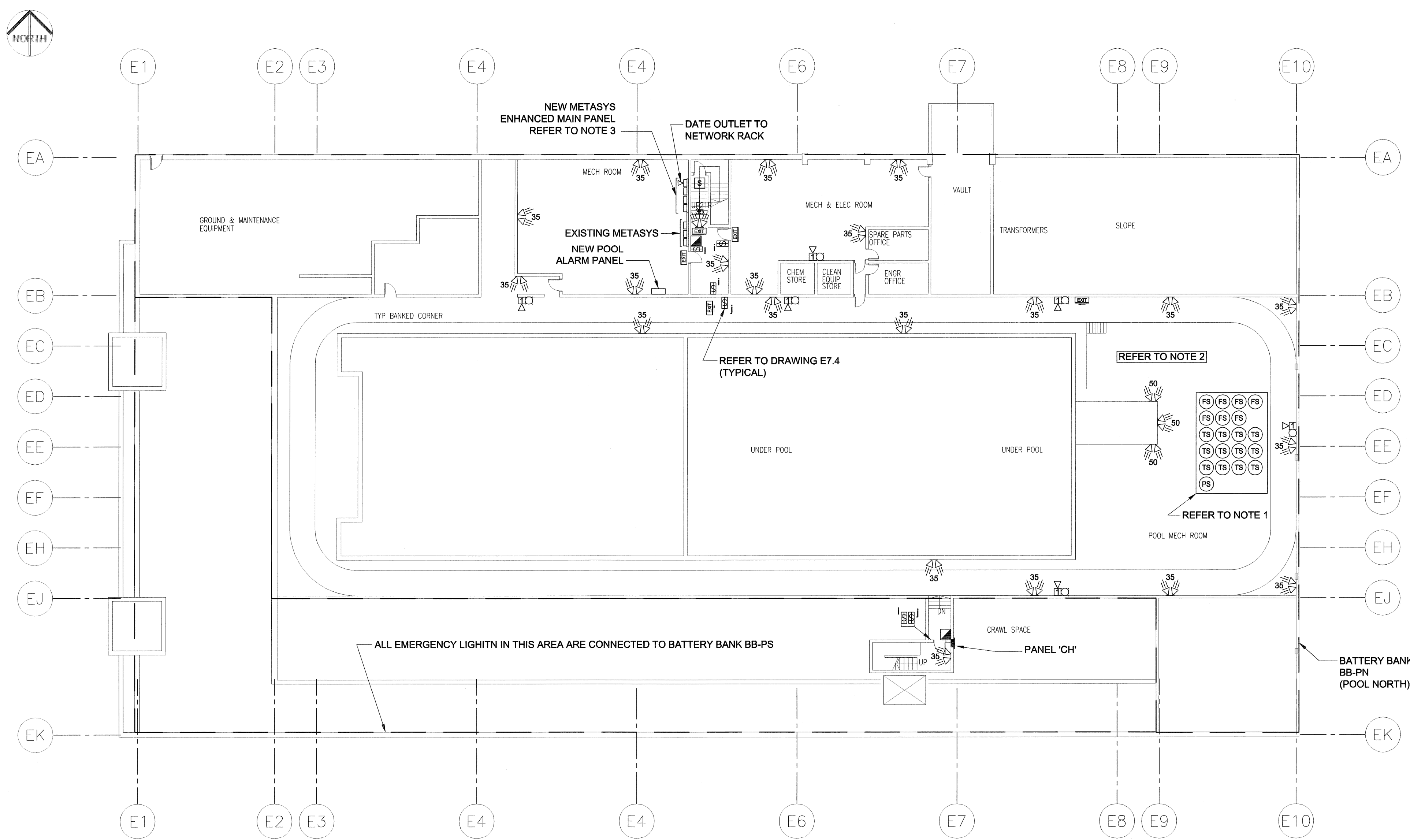
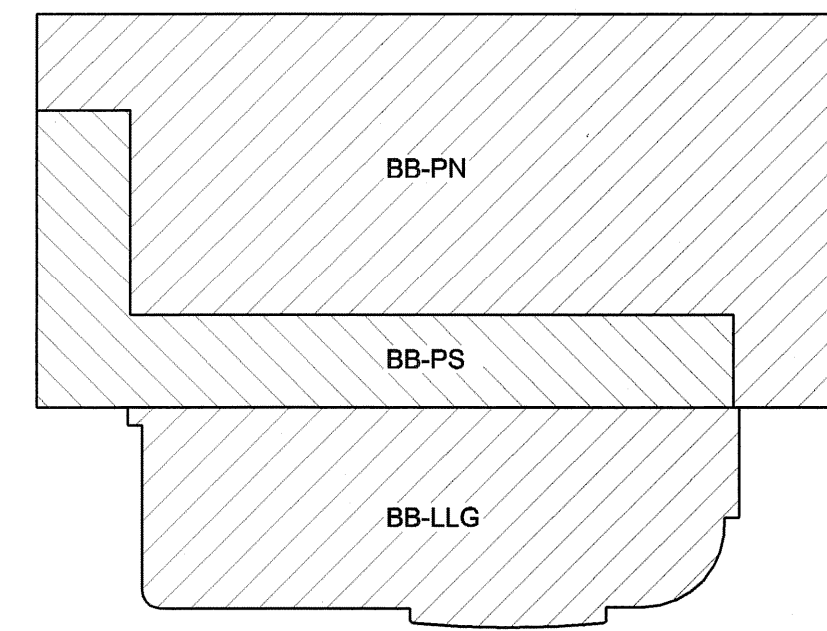


FILE NAME: F563-001-01_01-E-2007_PX.dwg
 DATE: 2007.02.21
 DESCRIPTION: Site Plan
 PROJECT No: F563-001-01
 ADDRESS: 989 Sargent St. Winnipeg, Manitoba
 PLOT: 07/07/20 2:31:13 PM
 UMA FILE NAME: F563-001-01_01-E-2007_PX.dwg



- NOTES:**
- CONFIRM NUMBER AND LOCATION OF SPRINKLER FLOW, PRESSURE AND TAMPER SWITCHES.
 - COORDINATE LAYOUT WITH POOL EQUIPMENT.
 - METASYS ENHANCED MAIN PANEL AND BACKBOARD BY CONTROLS CONTACTORS. PROVIDE TWO 15A-1P DEDICATED CIRCUITS FROM LOCAL PANELBOARDS.



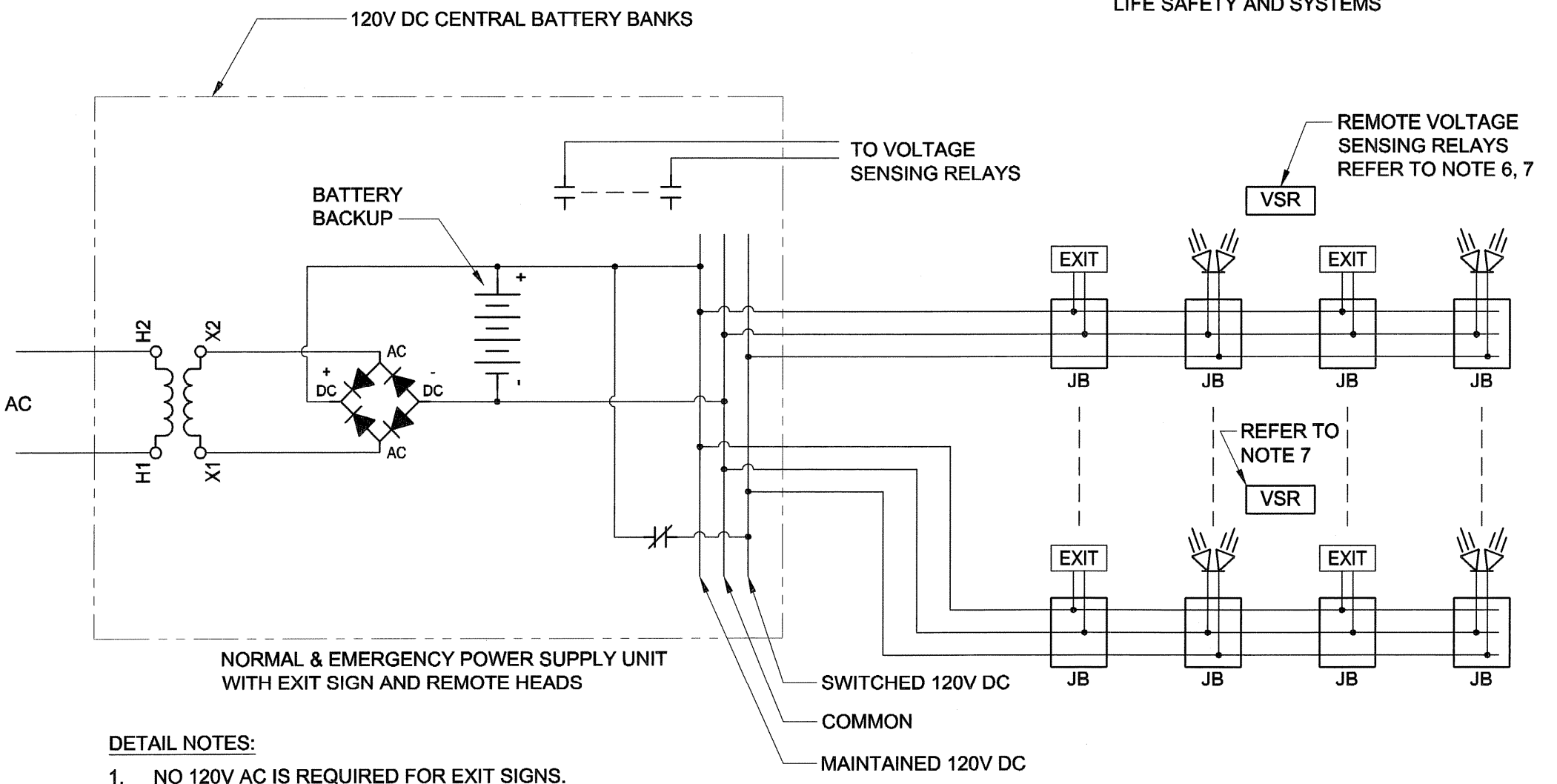
DETAIL 2

SCALE: N.T.S.
 CRAWL SPACE/BASEMENT AREAS SERVED BY BATTERY BANKS

PLAN 1

SCALE: 1:200
 0 2000 4000 6000 mm

BASEMENT LIFE SAFETY AND SYSTEMS



- DETAIL NOTES:**
- NO 120V AC IS REQUIRED FOR EXIT SIGNS.
 - ALL WIRING IN CONDUIT.
 - MULTIPLE CIRCUITS ARE REQUIRED. (VOLTAGE DROP & LOADING DEPENDANT)
 - SUBMIT CABLE ROUTE AND ASSOCIATED VOLTAGE DROP CALCULATION CONFIRMING LESS THAN 5% DROP TO FURTHEST DEVICE.
 - MULTIPLE VOLTAGE SENSING RELAYS ARE REQUIRED SO THAT FAILURE OF ONE NORMAL LIGHTING CIRCUIT WILL ILLUMINATE EMERGENCY LIGHTING.
 - REFER TO EMERGENCY LIGHTING VOLTAGE SENSING RELAY SCHEDULE FOR CIRCUITS REQUIRED TO CONNECT TO VOLTAGE SENSING RELAYS.
 - MANUFACTURER TO ADVISE NUMBER OF VOLTAGE SENSING RELAYS REQUIRED. GENERALLY, VOLTAGE SENSING RELAYS WILL BE INSTALLED ADJACENT TO PANEL CONTAINING CIRCUITS THEY SERVE.

DETAIL 3

SCALE: N.T.S.
 120V DC
 EMERGENCY LIGHTING SYSTEM

EXISTING BUILDING, BATTERY BANK BB-PN		
CIRCUIT	120V	347V
LP4-4	*	AREA LIGHTING CIRCUIT SERVES
LP4-11	*	BASEMENT POOL MECH ROOM
LP4-13	*	BASEMENT MECH & ELEC ROOM
LP4-23	*	BASEMENT TRACK
LP4-27	*	BASEMENT NORTH MECHANICAL ROOM
		NORTH STAIRWAY
LP4-3	*	MAINTENANCE EQUIPMENT
LP1-7	*	MALE&FEMALE STAFF LOCKERS
LP1-7	*	NORTH MEN'S & WOMEN'S SHOWER
LP1-9	*	BACK HALLWAY
MCC200	*	POOL
LP2-33	*	GYM
LP2-37	*	GYM'S WASHROOM
LP6-1	*	SECOND FLOOR NORTH MECHANICAL ROOM
LP6-3	*	SPECTATOR VIEWING
LP2-31	*	ABOVE RAMP UP

NEW BUILDING, BATTERY BANK BB-LLG		
CIRCUIT	120V	347V
CH01	*	CRAWL SPACE
CH03	*	CRAWL SPACE
CC14	*	STAFF & WASHROOM
CC06	*	LIBRARY
CA07	*	LOBBY
CA15	*	LOBBY PUBLIC WC
CA09	*	VESTIBULE
CF01	*	TRACK
CF02	*	TRACK PUBLIC WC
CF01	*	ROOF MECH PENTHOUSE
CF03	*	SERVICE SPACE ABOVE ROOF

EXISTING BUILDING, BATTERY BANK BB-PS		
CIRCUIT	120V	347V
LP3-1	*	SOUTH WEST MEN'S & WOMEN'S LOCKER
LP3-9	*	CARPET BOWLING
LP2-1	*	CORRIDOR & SAUNA
LP2-7	*	MEN'S LOCKER ROOM
LP2-11	*	WOMEN'S LOCKER ROOM
LP2-2	*	SOUTH STAIRWAY
B-??	*	FAMILY CHANGE ROOM
LP2-25h	*	FRONT ENTRANCE
LP2-39	*	2ND FLOOR VOID SPACE ABOVE MEN'S LOCKER ROOM
LP2-41	*	SOUTH MECHANICAL ROOM

- VSR SCHEDULE NOTES:**
- EMERGENCY LIGHTING IS TO ILLUMINATE WHEN CIRCUIT SUPPLYING LIGHTING IN AREA WHERE EMERGENCY LIGHTING IS INSTALLED FAILS. WHERE 24 HOUR/NIGHT LIGHTING IS INSTALLED, PREFERENCE IS GIVEN FOR THIS CIRCUIT.
 - LIGHTING CIRCUITS SHOWN FOR EXISTING AREAS ARE BASED ON 1977 AS-BUILT DRAWINGS AND MAY NOT BE CORRECT. INVESTIGATE TO CONFIRM CORRECT CIRCUITS. 1977 AS-BUILT DRAWING CAN BE PROVIDED.
 - ALLOW FOR CONNECTING AN ADDITIONAL 5 CIRCUITS TO EACH BATTERY BANK VOLTAGE SENSING RELAYS (5 IN TOTAL NEW BATTERY BANK).
 - REVIEW LOCATION FOR VOLTAGE SENSING RELAYS WITH ENGINEER BEFORE PROCEEDING WITH INSTALLATION. INSTALL VOLTAGE SENSING RELAYS IN ELECTRICAL SERVICE ROOM.

EMERGENCY LIGHTING VOLTAGE SENSING RELAY SCHEDULE

UMA | AECOM

© 2007 UMA ENGINEERING LTD. ALL RIGHTS RESERVED.

APCCM
 Certificate of Authorization
 UMA Engineering Ltd. (MB)
 No. 256 Date: 1/23/2007

DRN	CHK	DES	ENG	IDR

UMA | AECOM REVIEW

NO.	REVISION/DESCRIPTION	BY	DATE
0	ISSUED FOR TENDER	QL	07/07/23

SEALS

PROVINCE OF MANITOBA
 S.K.
 SMART
 Member
 20996
 1/23/2007
 REGISTERED PROFESSIONAL ENGINEER

DRAWN BY: QL CHECKED BY: USER APPROVED

DATE: 2007.02.21

CITY OF WINNIPEG
 PLANNING, PROPERTY & DEVELOPMENT DEPARTMENT
 CIVIC ACCOMMODATIONS DIVISION
 300 - 65 GARRY ST. R3C 4K4

PROJECT
Construction of Cindy Klassen Recreation Complex Facility Enhancement Project
 989 Sargent St. Winnipeg, Manitoba

SHEET TITLE
 Electrical
 Basement
 Life Safety and Systems

SCALE 1:200	PROJECT NO. 2005-059	SHEET NO. E2.7
----------------	-------------------------	-------------------

DRAWING SHEET SIZE: A1 (841mm x 594mm) PLOT 1:1