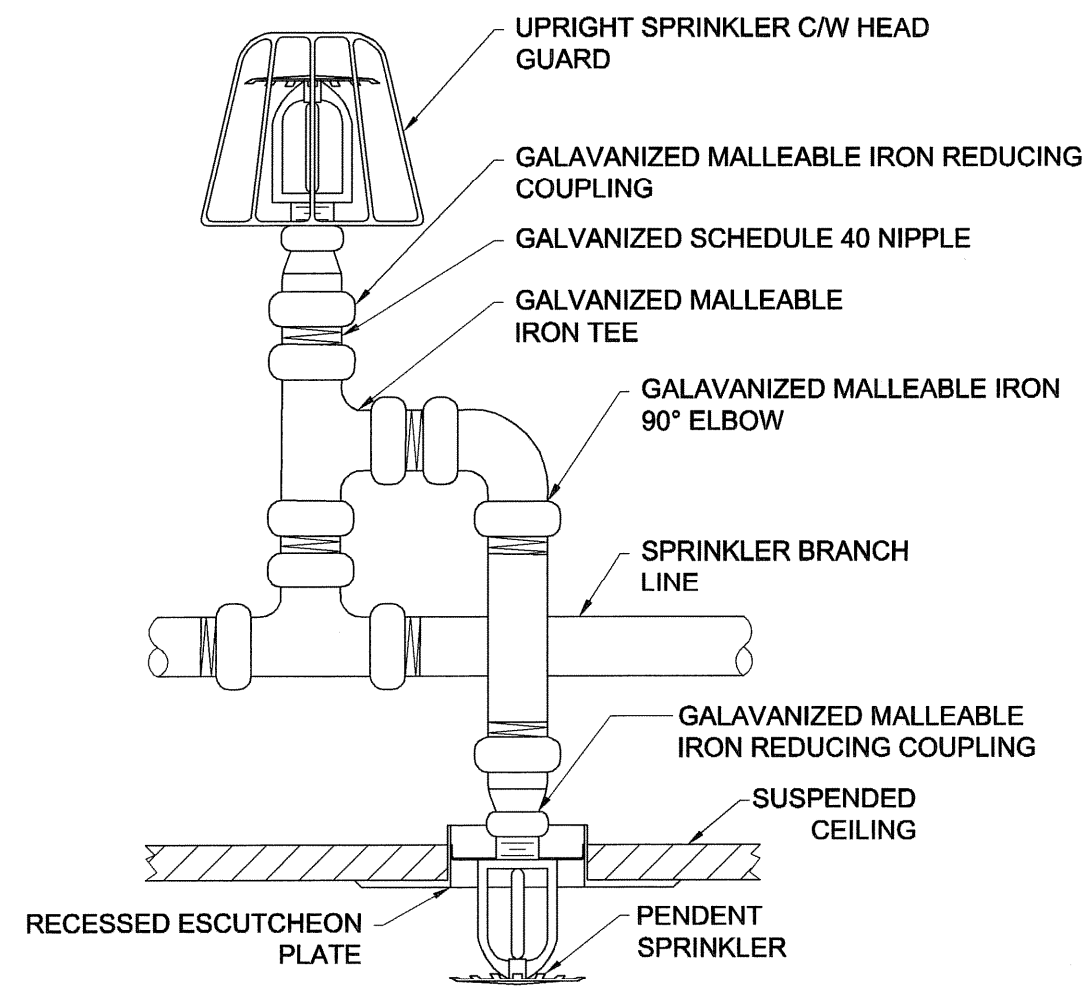
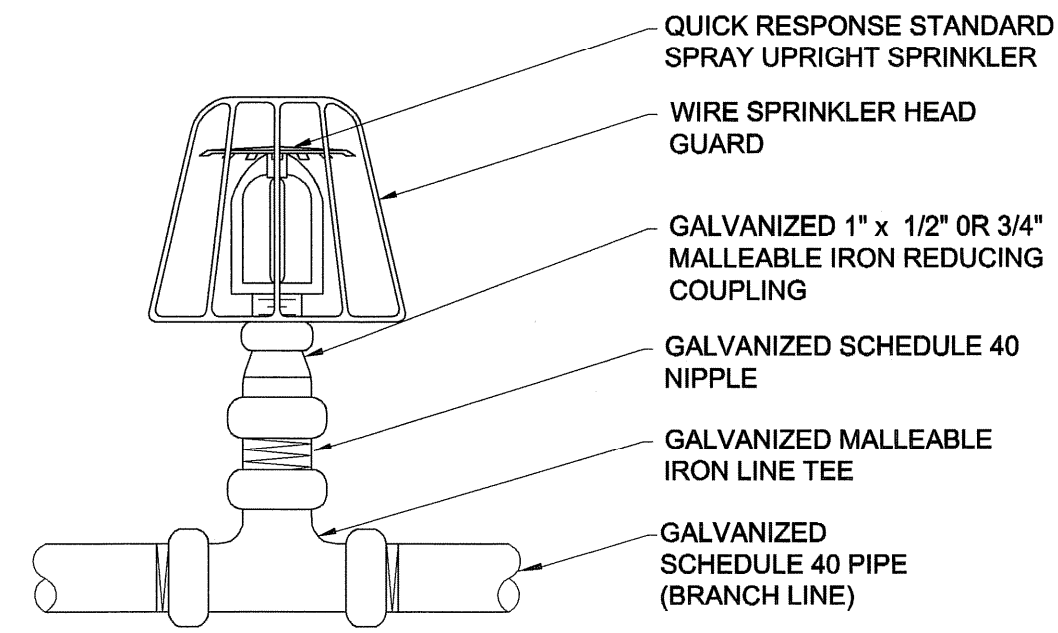


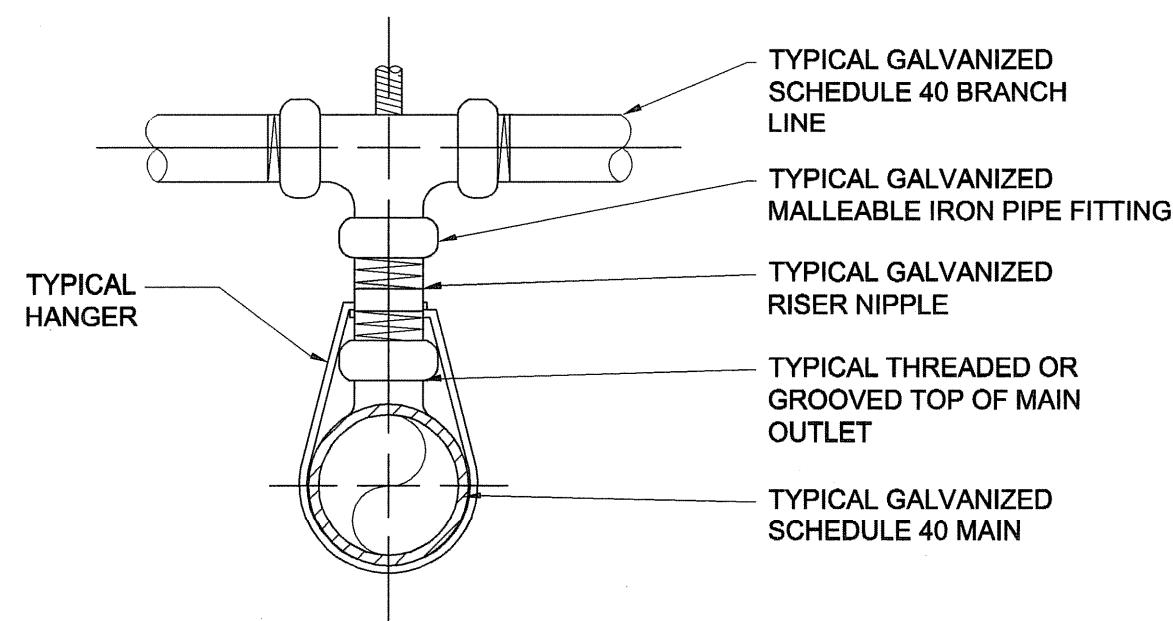
UMA FILE NAME: F963-001-01\_01-HM-3004-RV.dwg  
 DATE: 2007.02.21  
 DESCRIPTION: Fire Protection Sprinkler Details  
 PROJECT No: F963-001-01  
 ADDRESS: 989 Sargent St. Winnipeg, Manitoba  
 PLOT: 07/07/20 10:56:50 AM



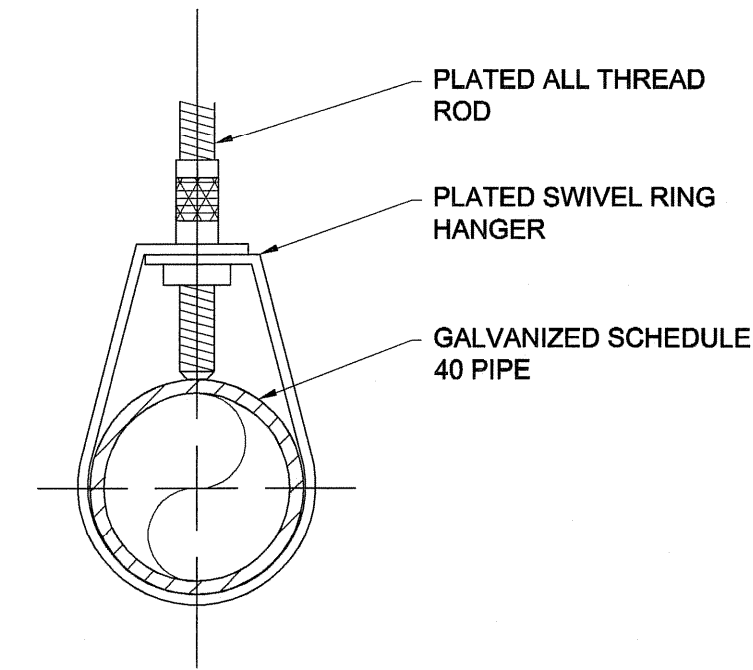
**UP AND DOWN SPRINKLER INSTALLATION**  
 SCALE: N.T.S.



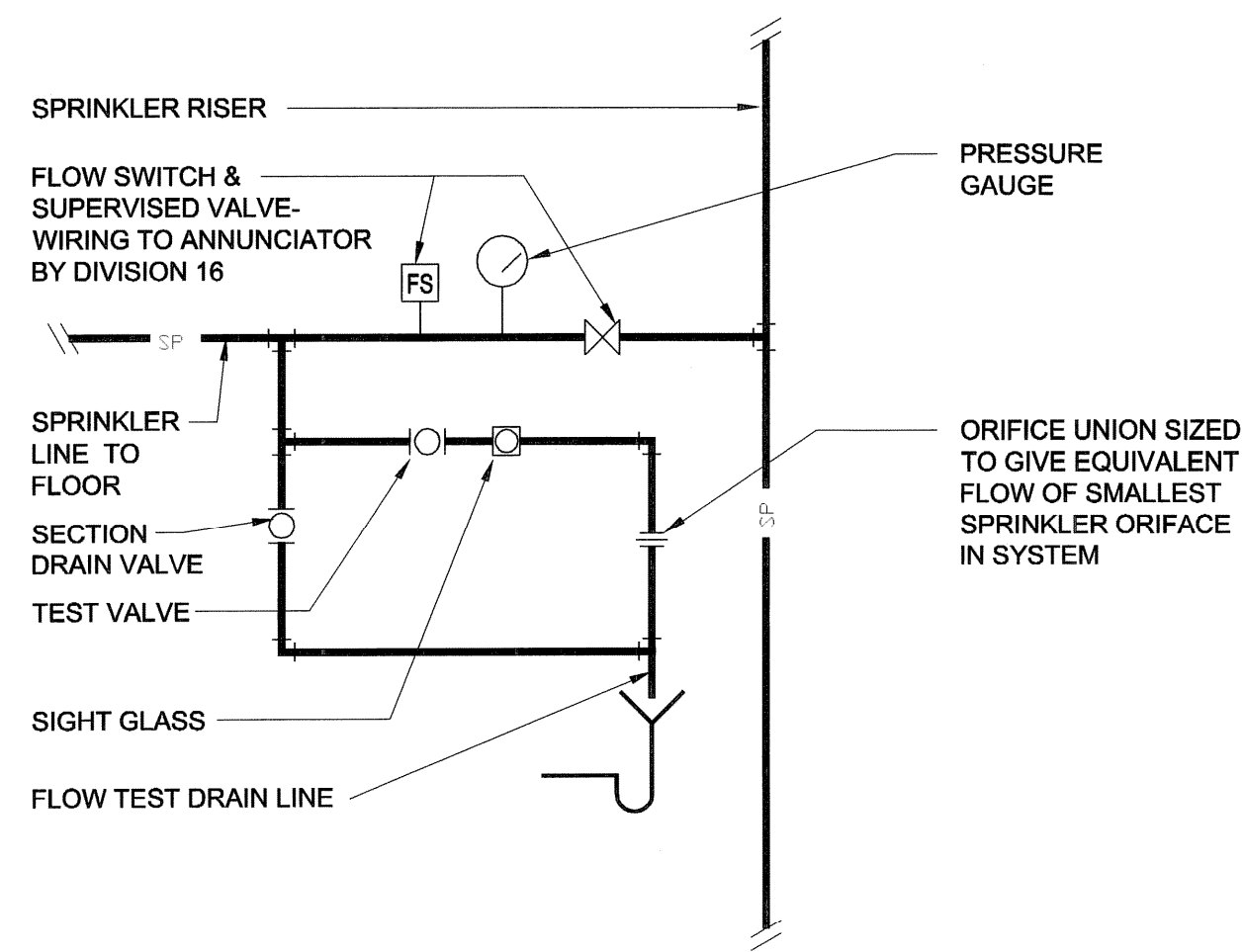
**BRANCH LINE WITH UPRIGHT SPRINKLER**  
 SCALE: N.T.S.



**TYPICAL BRANCH LINE RISER**  
 SCALE: N.T.S.

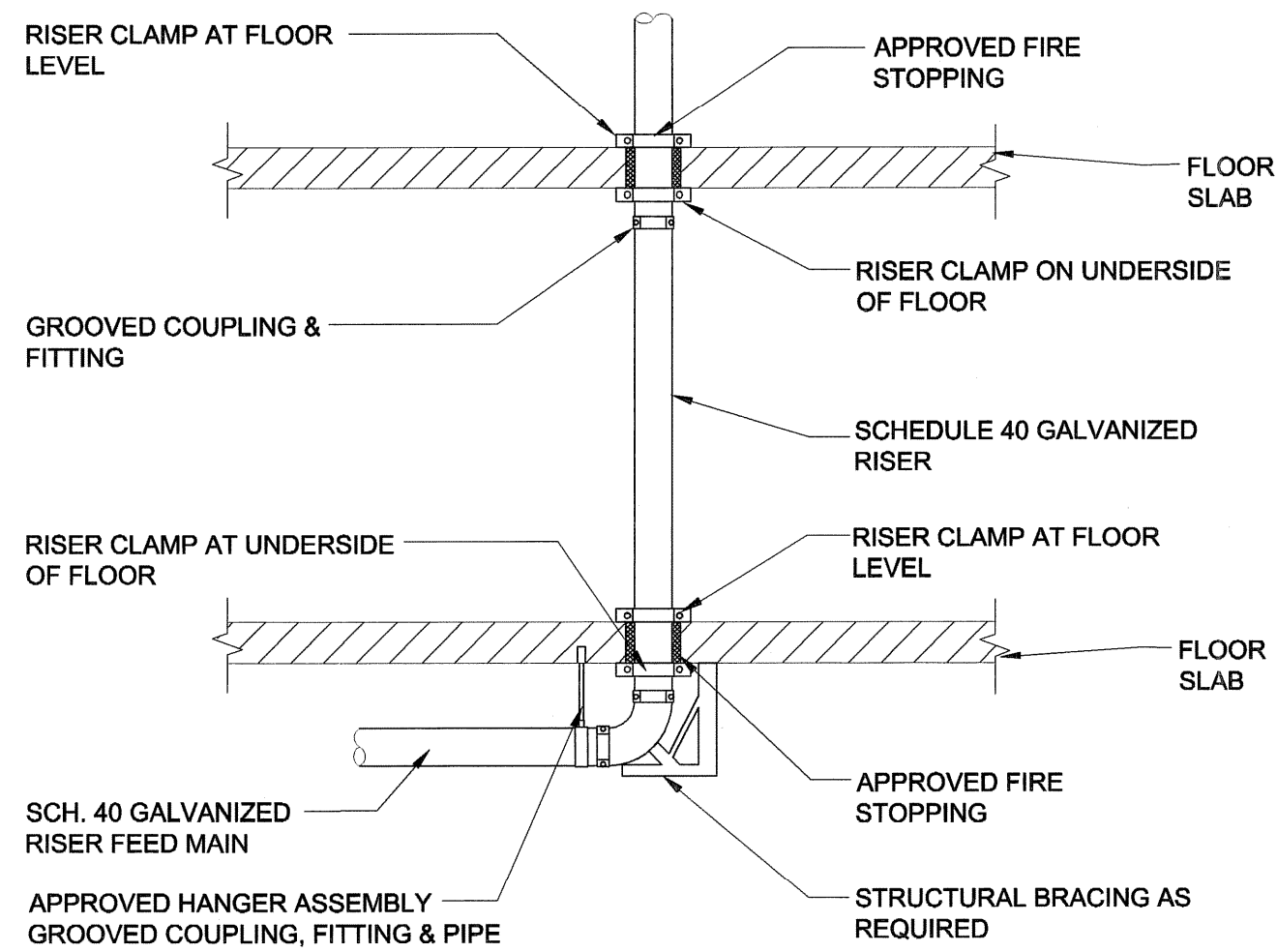


**END OF LINE HANGER**  
 SCALE: N.T.S.



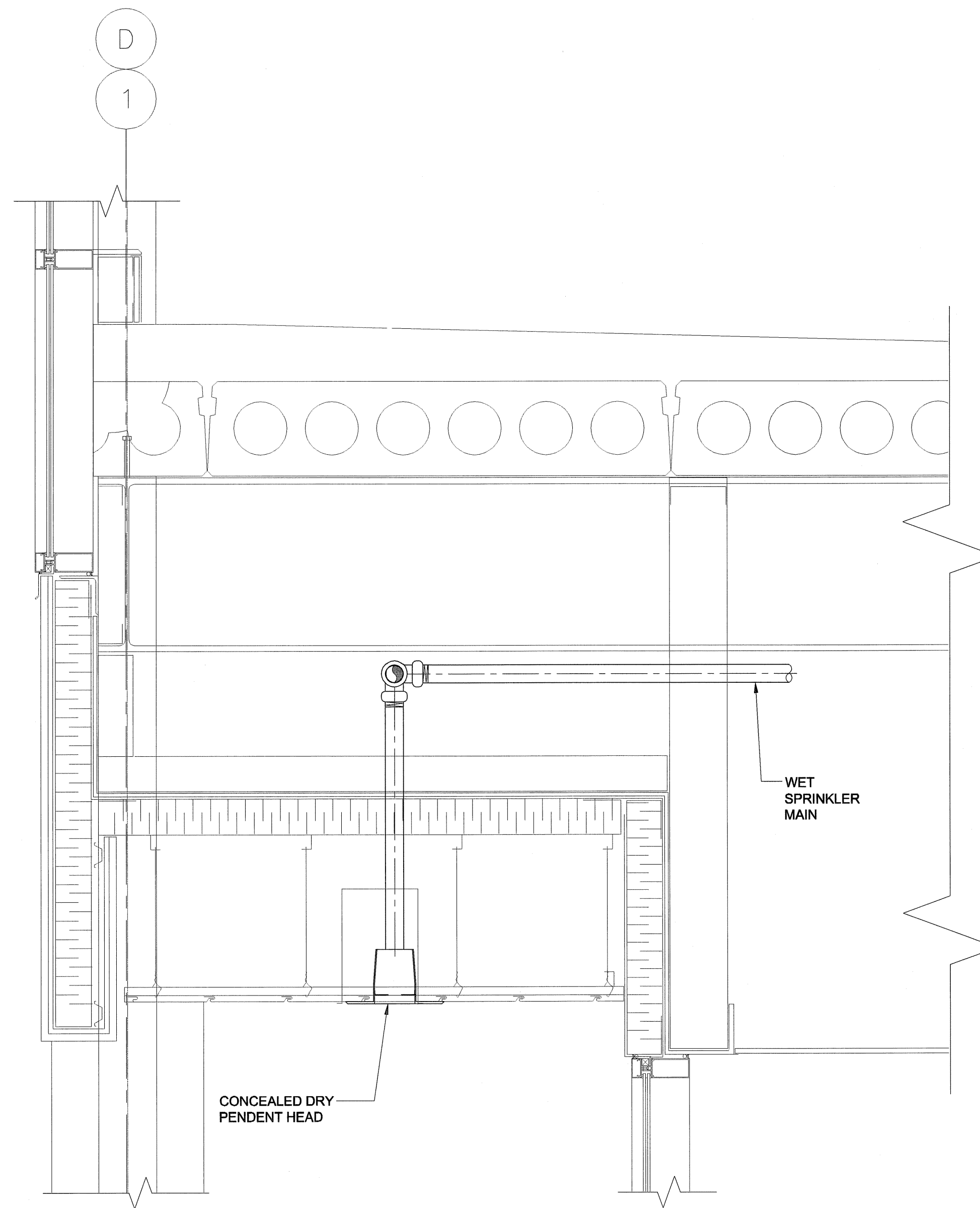
**DETAIL 1**  
 SCALE: N.T.S.

INSPECTOR'S TEST AND DRAIN STATION



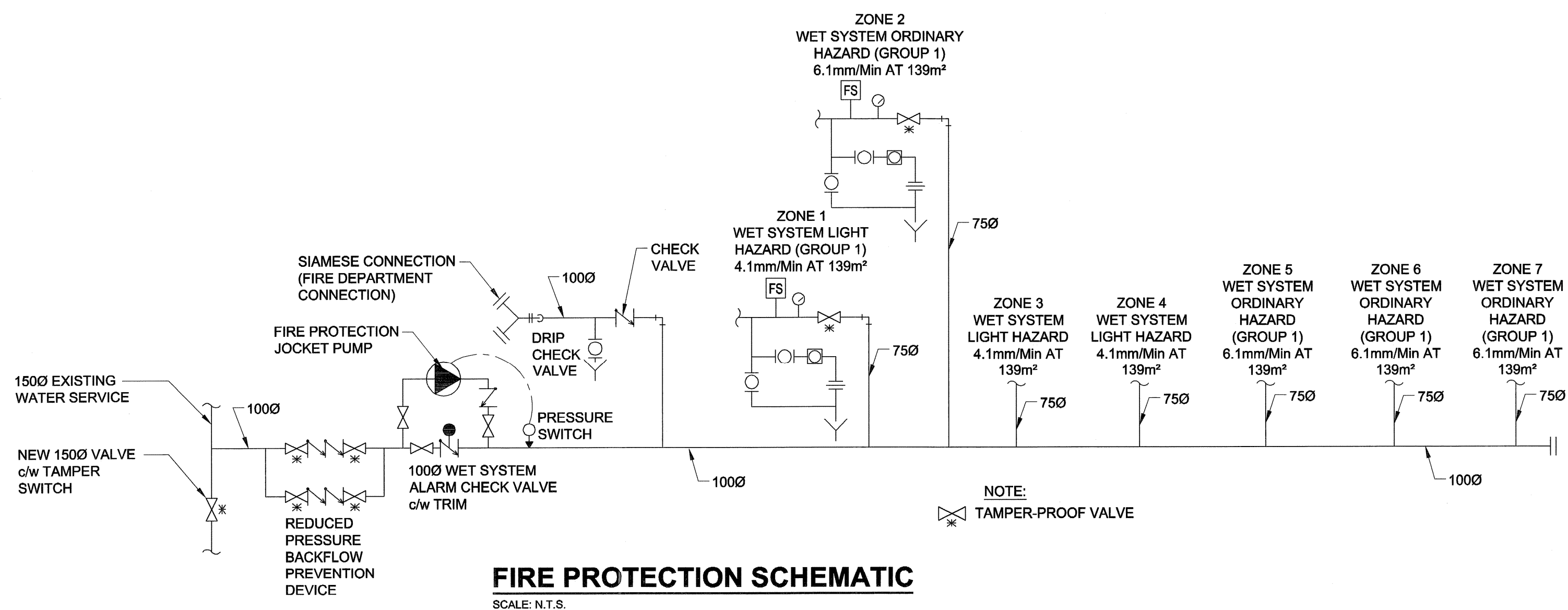
**DETAIL 2**  
 SCALE: N.T.S.

TYPICAL SPRINKLER PIPE RISER THROUGH FLOOR



**DETAIL 2**  
 SCALE: N.T.S.

SOFFIT SPRINKLER DETAIL



**FIRE PROTECTION SCHEMATIC**  
 SCALE: N.T.S.

UMA | AECOM  
 © 2007 UMA ENGINEERING LTD. ALL RIGHTS RESERVED.

**APEGM**  
 Certificate of Authorization  
 UMA Engineering Ltd. (MB)  
 No. 256 Date: 07/07/23

DRN CHK DES/ENG IDR  
 UMA | AECOM REVIEW

0	ISSUED FOR TENDER	RJP	07/07/23
NO.	REVISION/DESCRIPTION	BY	DATE

SEALS

PROVINCE OF MANITOBA  
 July 20, 2007  
 B.M. PETERSON  
 REGISTERED PROFESSIONAL ENGINEER

DRAWN BY: RJP CHECKED BY: [Signature] APPROVED: [Signature]  
 DATE: 2007.07.17 USER APPROVAL

CITY OF WINNIPEG  
 PLANNING, PROPERTY & DEVELOPMENT DEPARTMENT  
 CIVIC ACCOMMODATIONS DIVISION  
 300 - 65 GARRY ST. R3C 4K4

PROJECT  
 Construction of Cindy Klassen  
 Recreation Complex Facility  
 Enhancement Project  
 989 Sargent St. Winnipeg, Manitoba

SHEET TITLE  
 Mechanical  
 Fire Protection  
 Sprinkler Details

SCALE As Noted	PROJECT NO. 2005-059	SHEET NO. M3.4
-------------------	-------------------------	-------------------

DRAWING SHEET SIZE: A1 (841mm x 594mm) PLOT 1:1