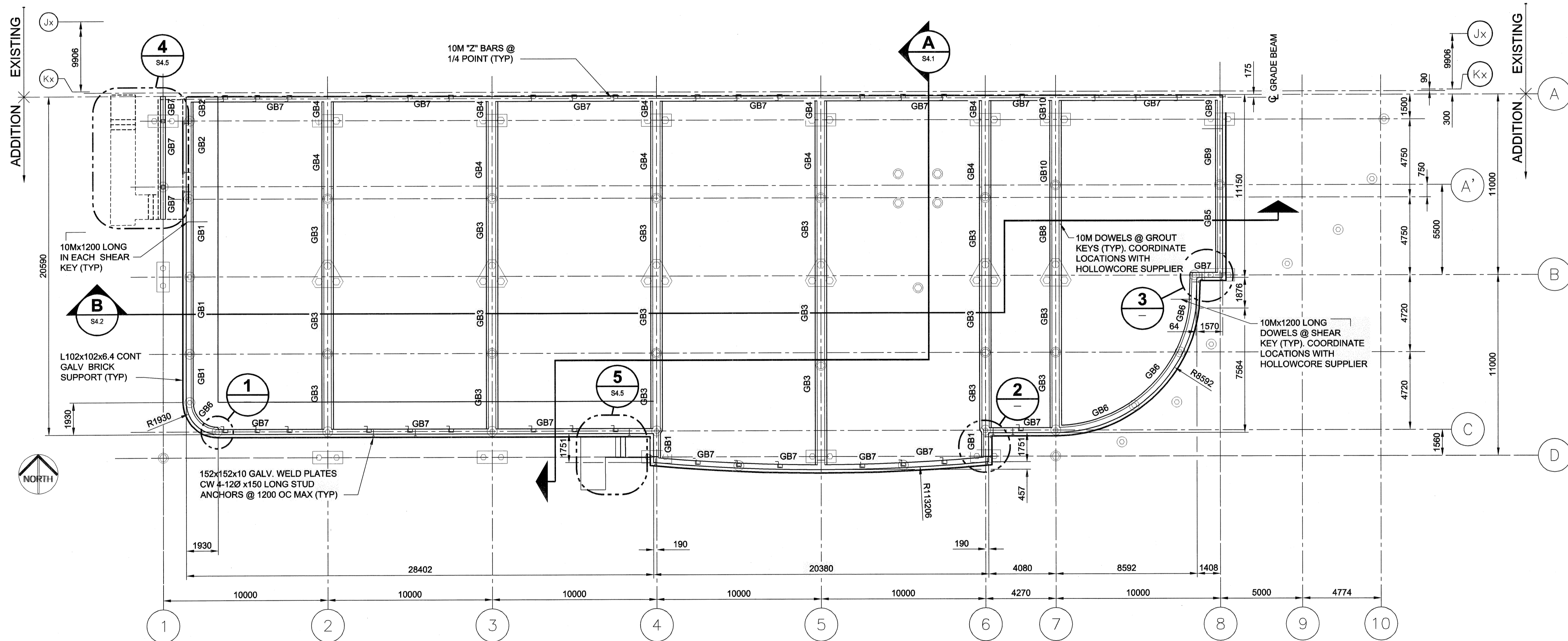
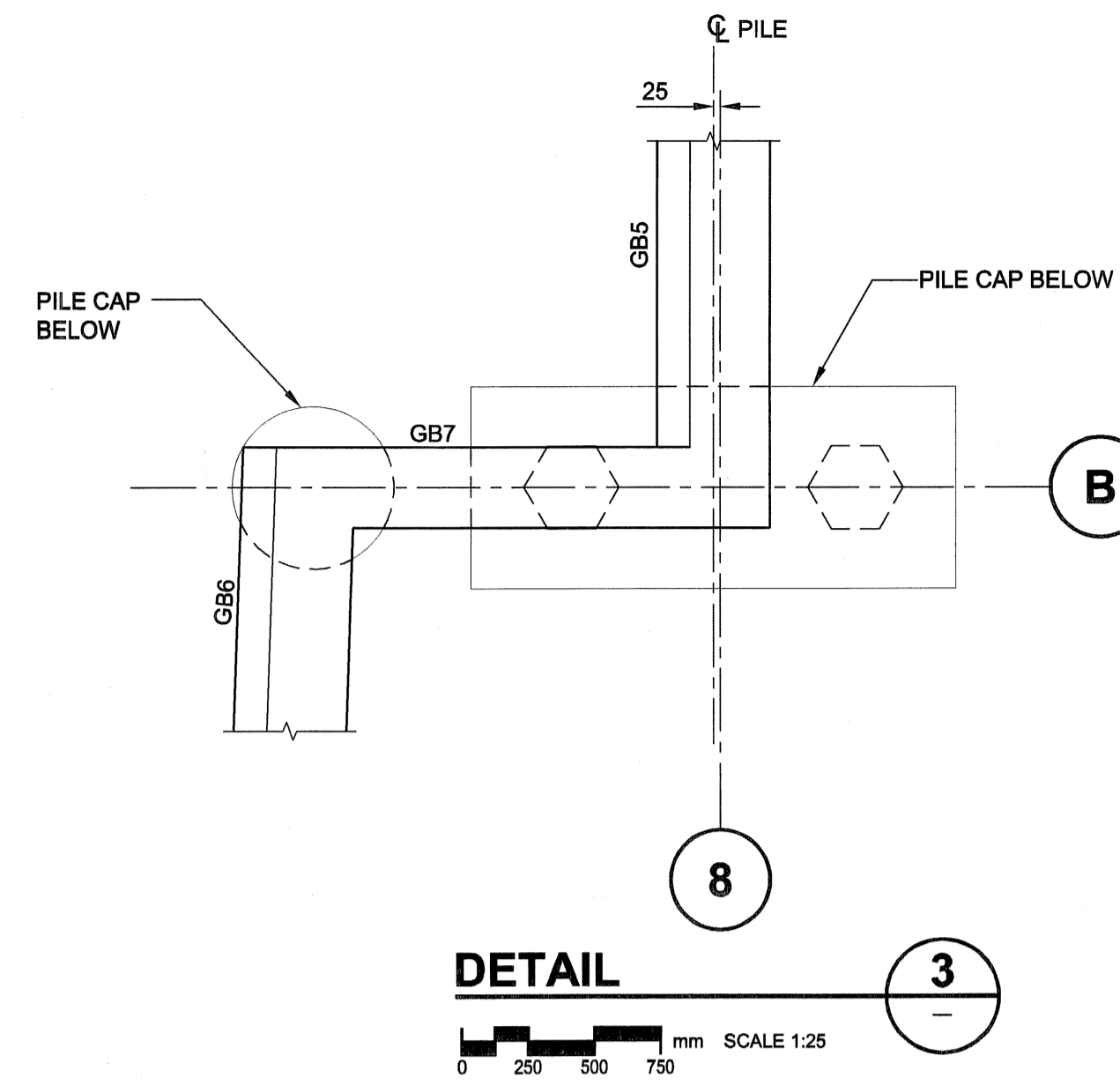
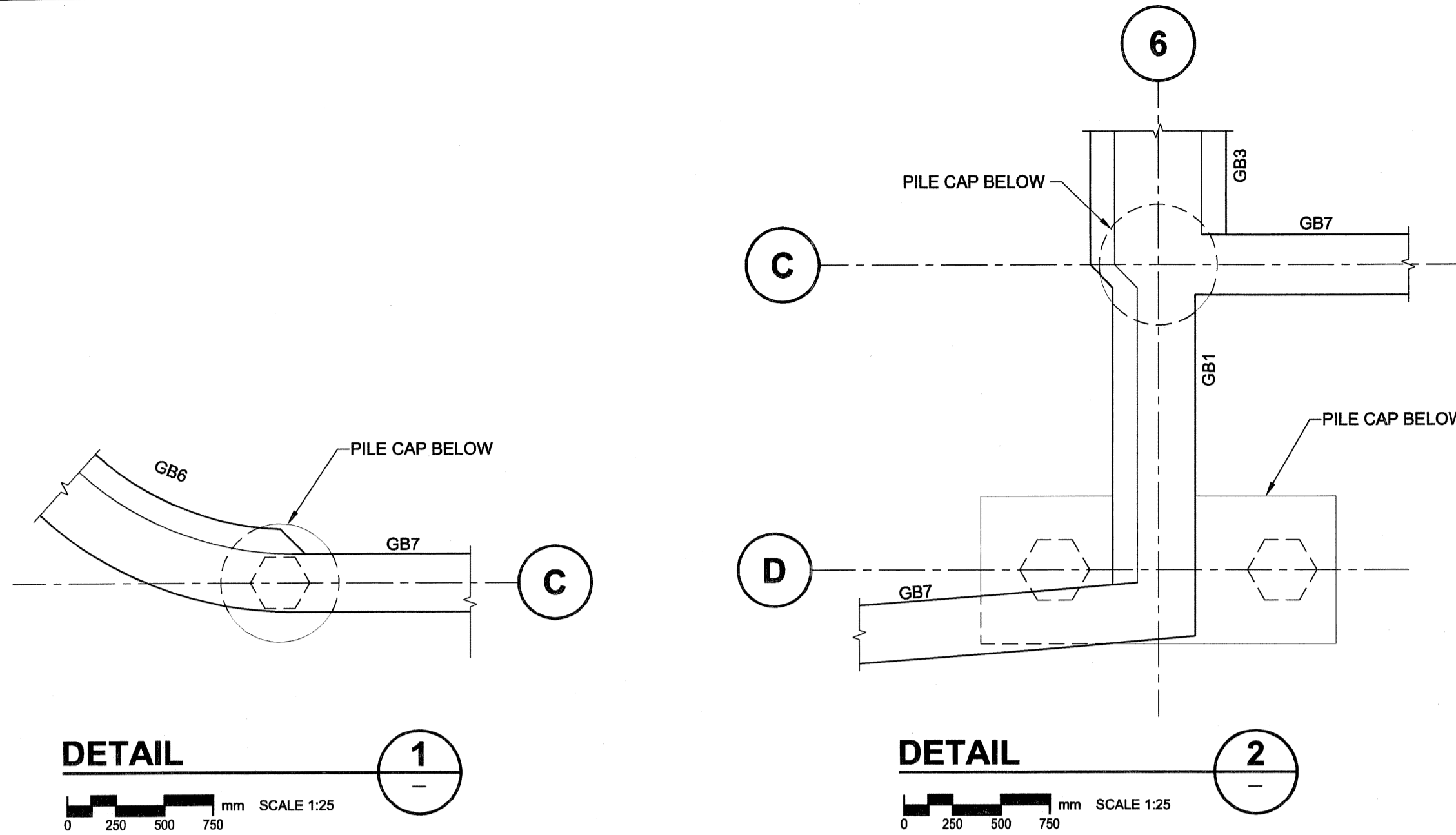
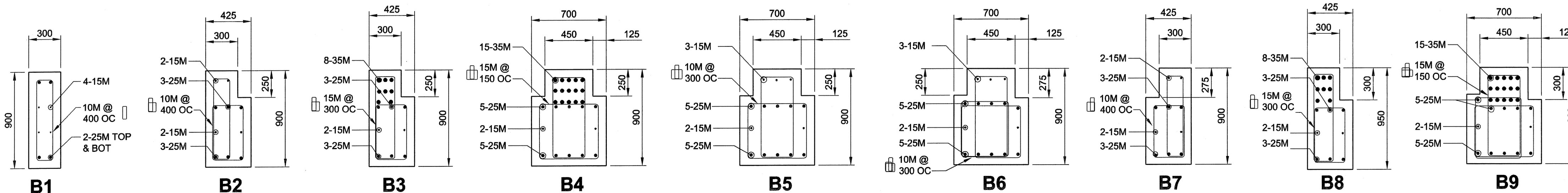
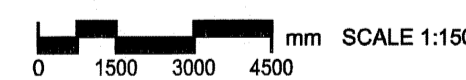


GRADE BEAM SCHEDULE

TYPE	WIDTH	DEPTH	REINFORCING			STIRRUPS	REMARKS
			TOP	MID.	BOT.		
GB1	425	900	2-15M	3-25M	3-25M	10M @ 400	SEE B2
GB2	425	900	8-35M	3-25M	3-25M	15M @ 300	SEE B3
GB3	700	900	3-15M	5-25M	5-25M	10M @ 300	SEE B5
GB4	700	900	15-35M	5-25M	5-25M	15M @ 150	SEE B4
GB5	425	900	2-15M	3-25M	3-25M	10M @ 400	SEE B2
GB6	425	900	2-15M	3-25M	3-25M	10M @ 400	SEE B2
GB7	300	900	2-25M	4-15M	2-25M	10M @ 400	SEE B1
GB8	700	900	3-15M	5-25M	5-25M	10M @ 300	SEE B6
GB9	425	900	8-35M	3-25M	3-25M	15M @ 300	SEE B8
GB10	700	900	15-35M	5-25M	5-25M	15M @ 150	SEE B9



GRADE BEAM LAYOUT



UMA | AECOM

© 2007 UMA ENGINEERING LTD. ALL RIGHTS RESERVED.

**APECM**  
Certificate of Authorization  
UMA Engineering Ltd. (MB)  
No. 256 Date: July 23, 2007

*[Signature]*  
DRN CHK DES ENG IDR  
UMA | AECOM REVIEW

NO.	REVISION/DESCRIPTION	BY	DATE
0	ISSUED FOR TENDER	DJH	07/07/23

SEALS

*[Professional Engineer Seal: B.L. LAU, July 23, 2007]*

DRAWN BY: MP | CHECKED BY: | APPROVED: |  
DATE: 2007.07.23 | USER APPROVAL

CITY OF WINNIPEG  
PLANNING, PROPERTY & DEVELOPMENT DEPARTMENT  
CIVIC ACCOMMODATIONS DIVISION  
300 - 65 GARRY ST. R3C 4K4

PROJECT  
Construction of Cindy Klassen  
Recreation Complex Facility  
Enhancement Project  
998 Sargent St. Winnipeg, Manitoba

SHEET TITLE  
Structural  
Grade Beam Layout  
Foundation Plan

SCALE AS NOTED	PROJECT NO. 2005-059	SHEET NO. S2.2
-------------------	-------------------------	-------------------

DRAWING SHEET SIZE: A1 (841mm x 594mm) PLOT 1:1