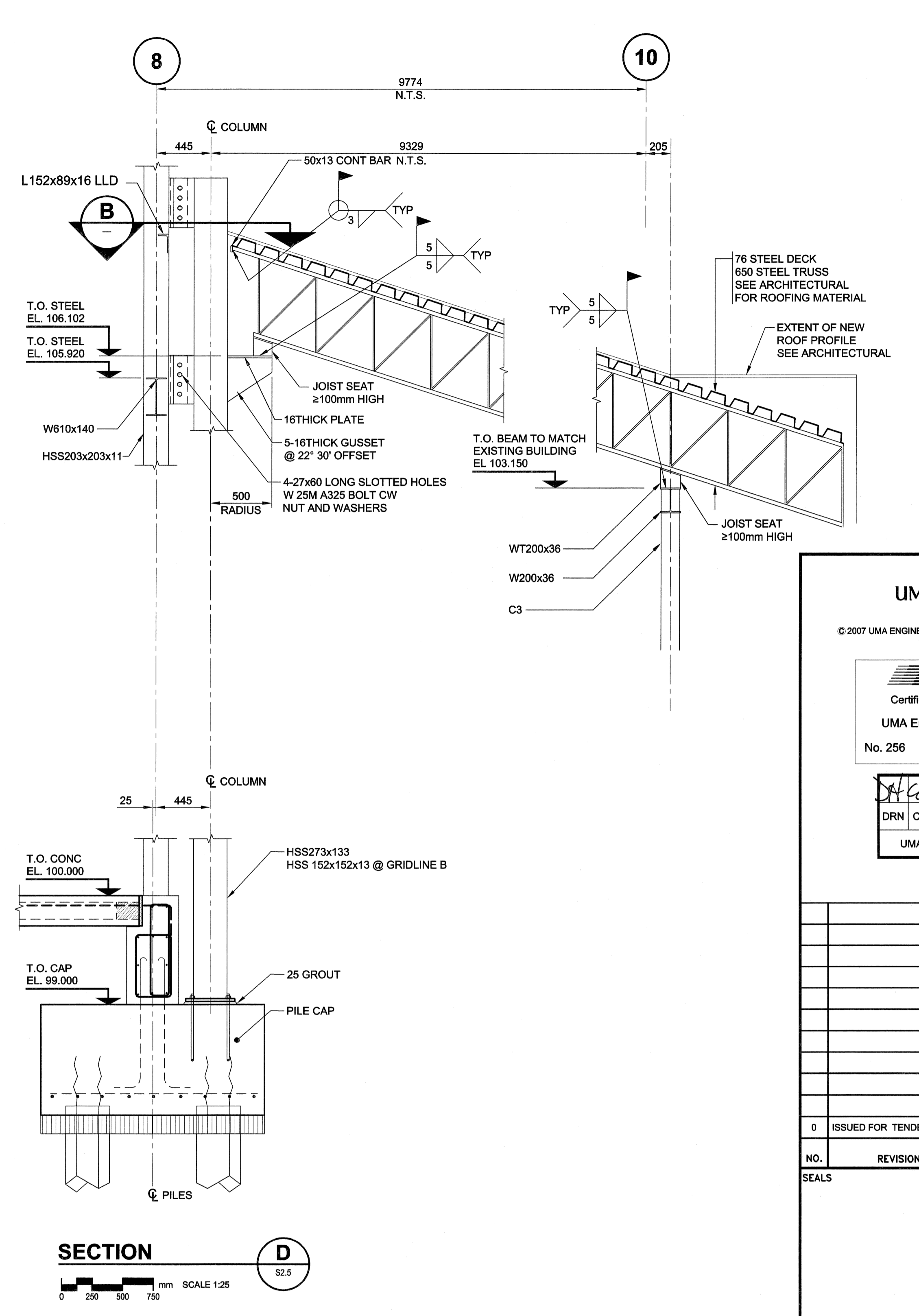
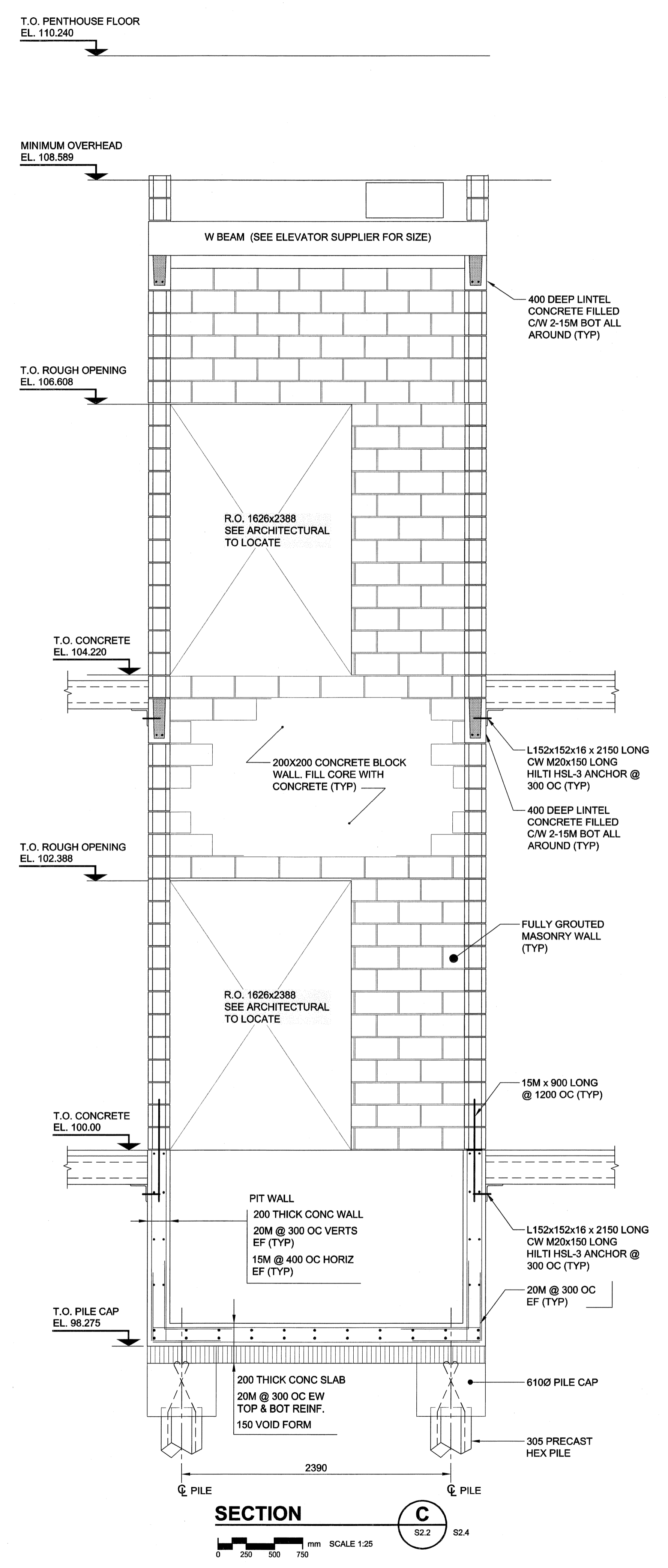
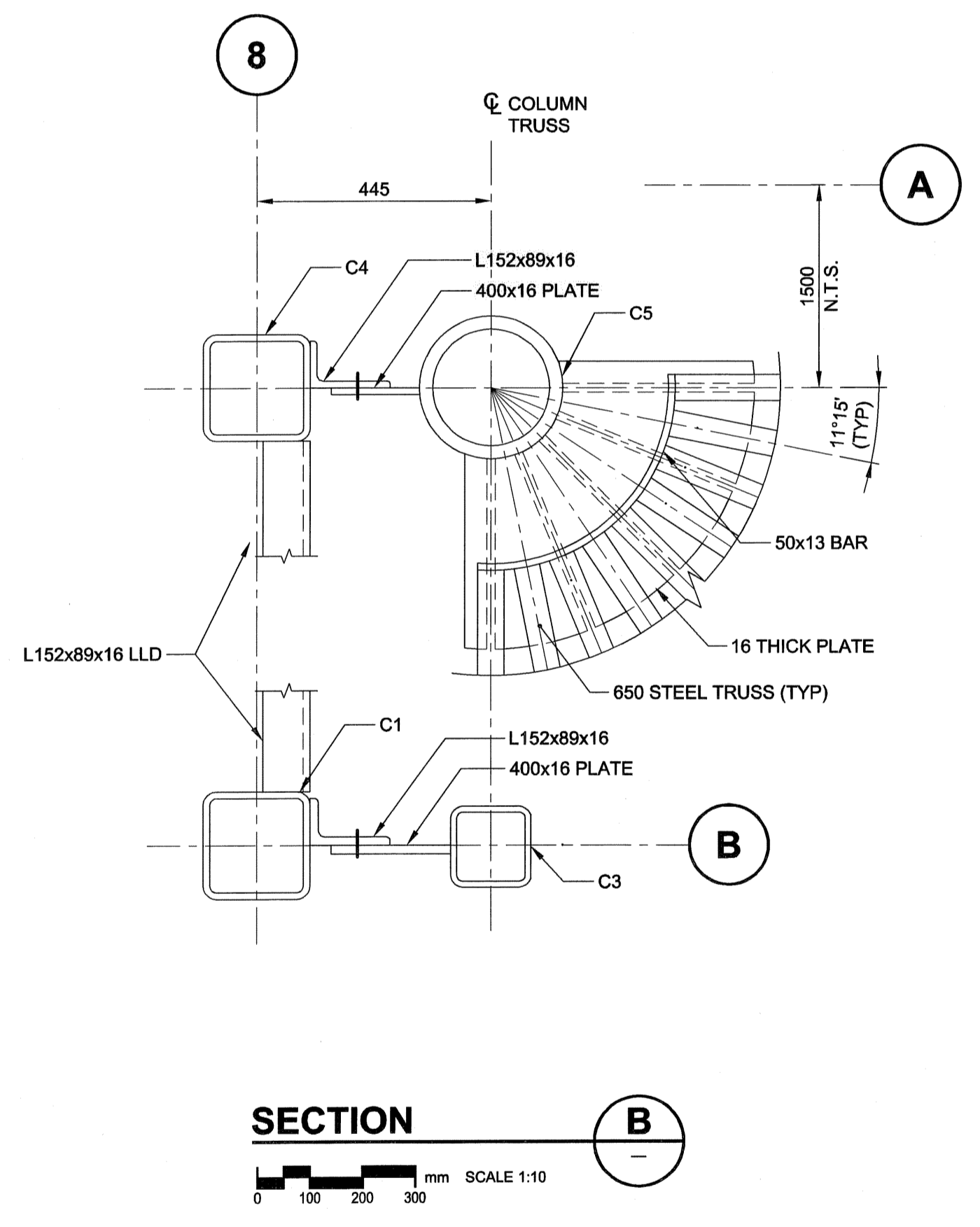
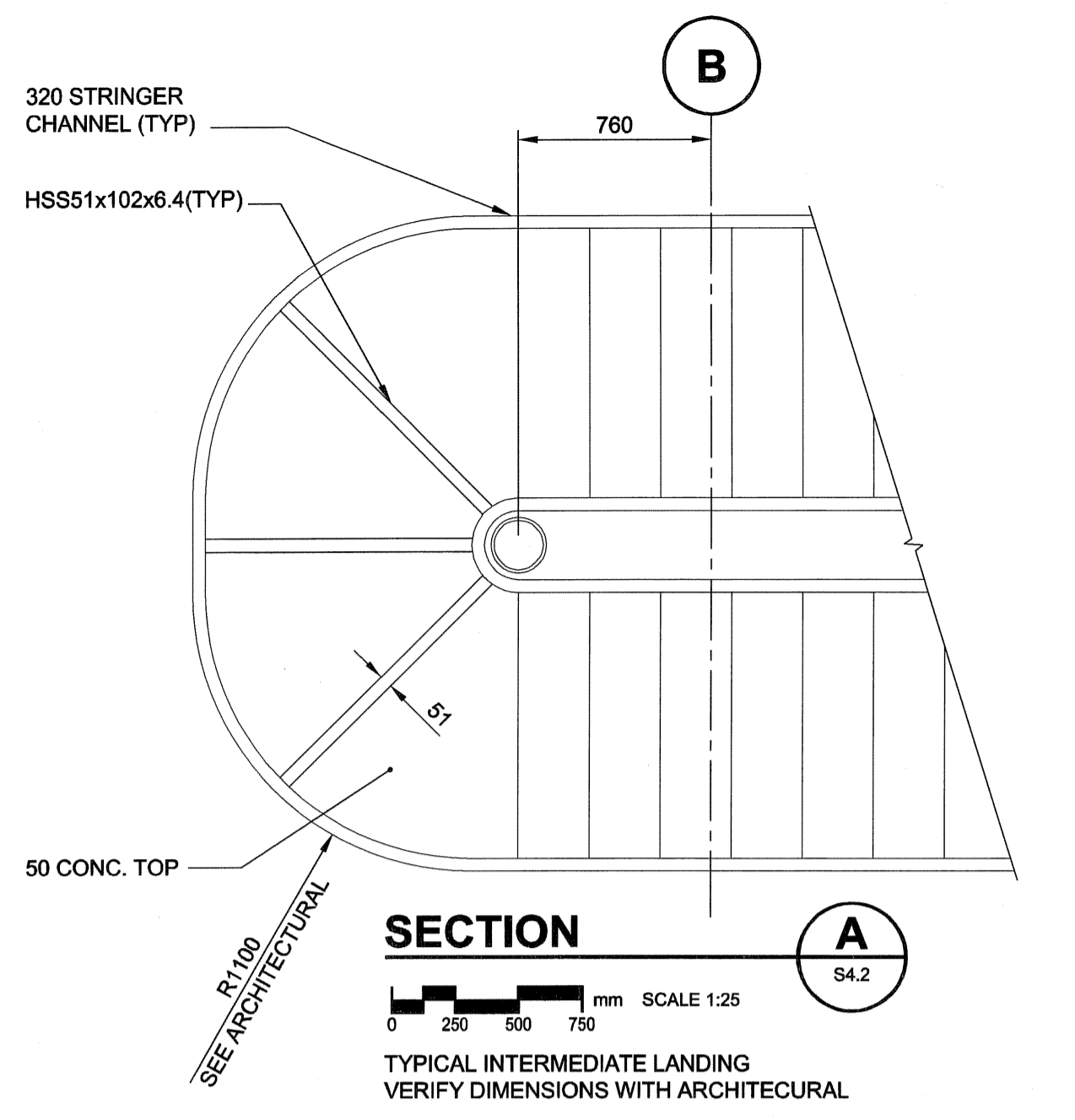


UMA FILE NAME: F953-001-01-S-404_RX.dwg
 DATE: 2007.02.21
 DESCRIPTION: DETAILS AND ELEVATIONS
 PROJECT No: F953-001-01
 ADDRESS: 999 Sargent St. Winnipeg, Manitoba
 PLOT: 07/07/22 11:42:57 PM



UMA | AECOM
 © 2007 UMA ENGINEERING LTD. ALL RIGHTS RESERVED.

APEGM
 Certificate of Authorization
 UMA Engineering Ltd. (MB)
 No. 256 Date: July 23, 2007

DRN CHK DES ENG IDR
 UMA | AECOM REVIEW

0	ISSUED FOR TENDER	DJH	07/07/17
NO.	REVISION/DESCRIPTION	BY	DATE

SEALS

PROVINCE OF MANITOBA
 B.L. LAU
 REGISTERED PROFESSIONAL ENGINEER
 July 23, 2007

DRAWN BY: DJH
 CHECKED BY: USER
 APPROVED: APPROVED
 DATE: 2007.02.21

CITY OF WINNIPEG
 PLANNING, PROPERTY & DEVELOPMENT DEPARTMENT
 CIVIC ACCOMMODATIONS DIVISION
 300 - 65 GARRY ST. R3C 4K4

PROJECT
 Construction of Cindy Klassen
 Recreation Complex Facility
 Enhancement Project
 999 Sargent St. Winnipeg, Manitoba

SHEET TITLE
 Structural
 Details
 and Elevations

SCALE: AS NOTED
 PROJECT NO.: 2005-059
 SHEET NO.: S4.4

DRAWING SHEET SIZE: A1 (841mm x 594mm) PLOT 1:1