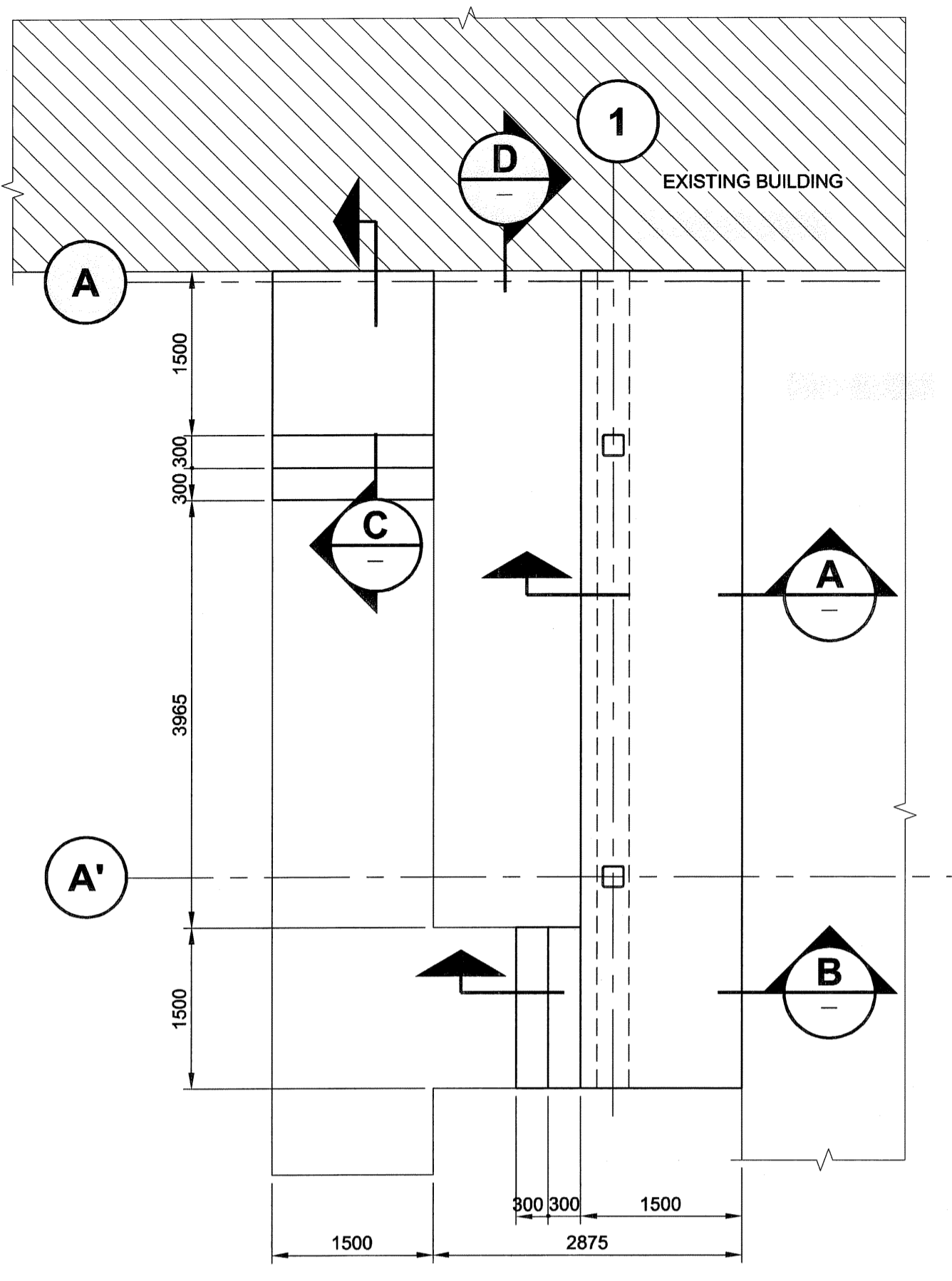
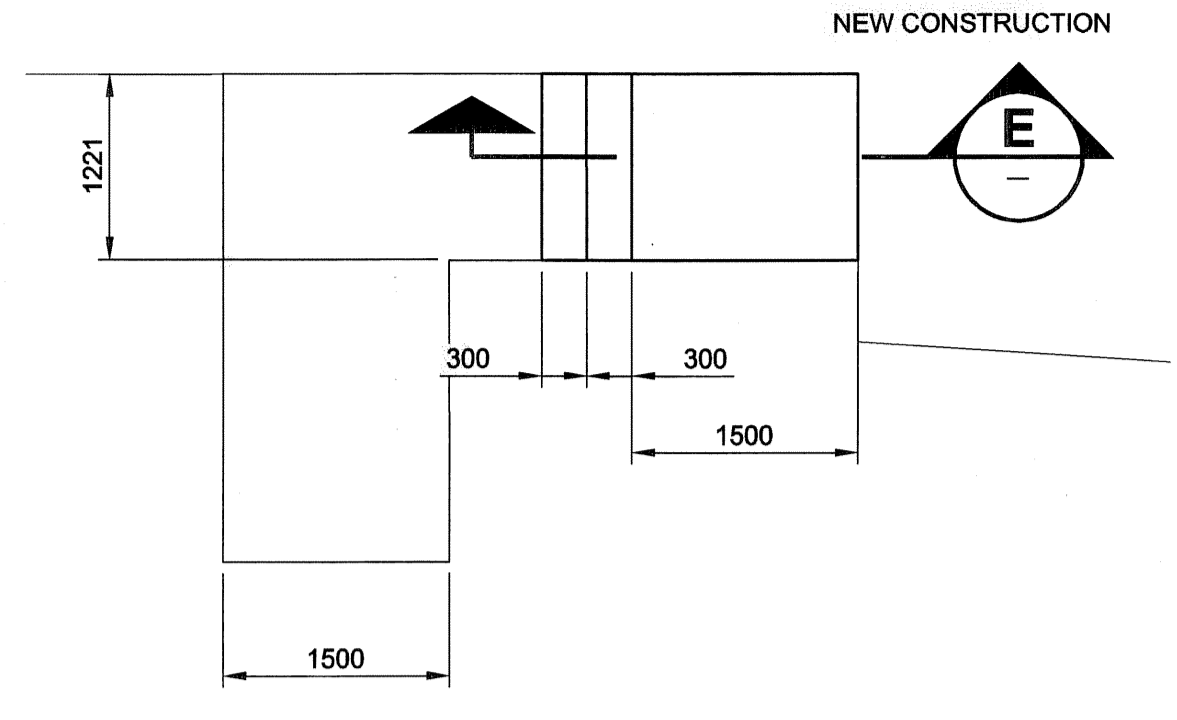


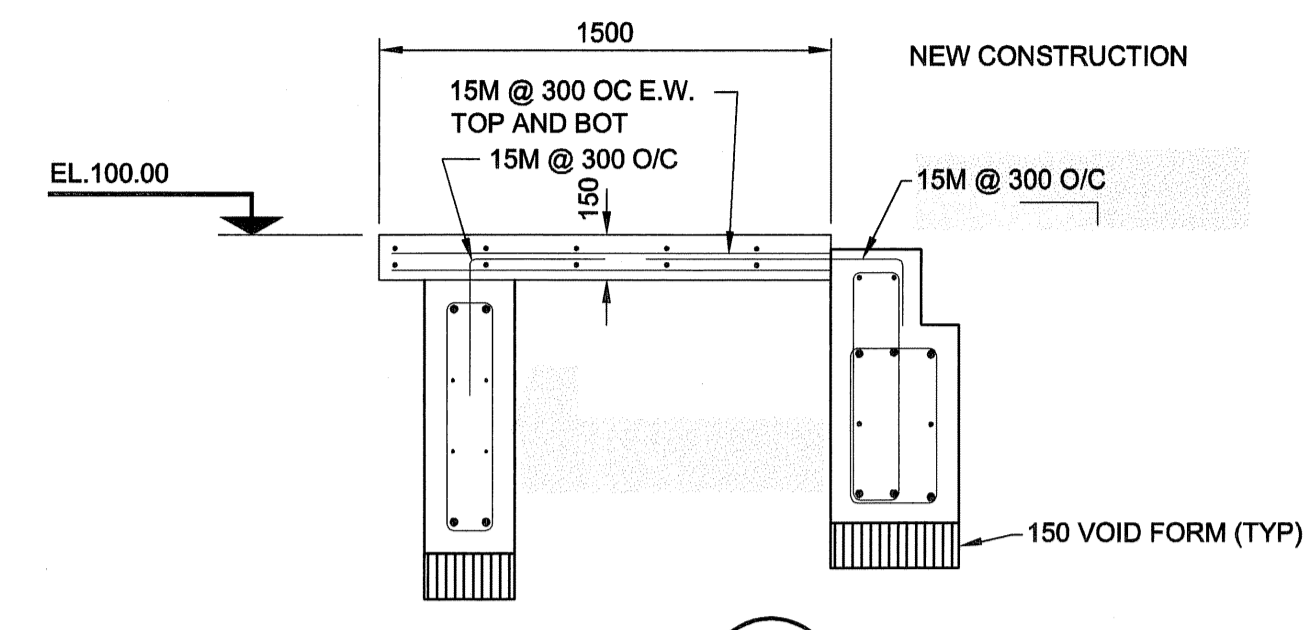
UMA FILE NAME: F983-001-01\_01-S-4095\_RX.dwg  
 DATE: 2007.02.21  
 DESCRIPTION: CANOPY SECTION AND DETAILS  
 PROJECT No: F983-001-01  
 PLOT: 07/07/23 11:43:00 PM  
 ADDRESS: 989 Sargent St. Winnipeg, Manitoba



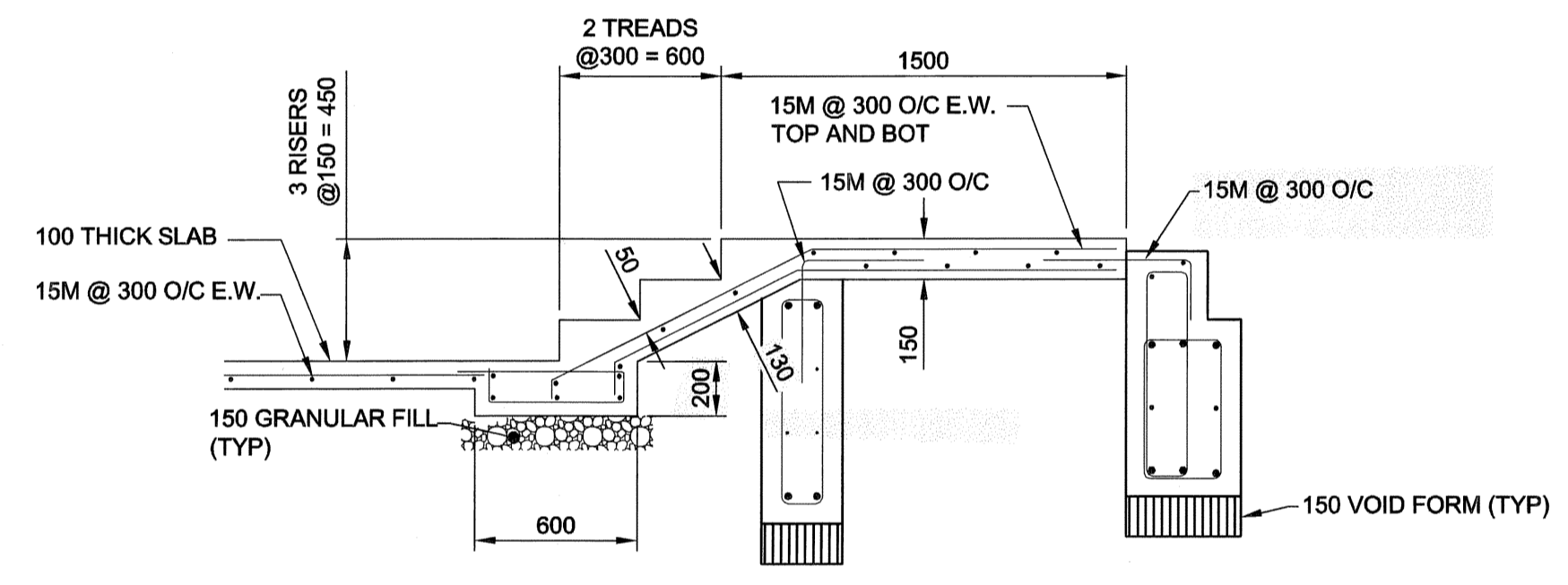
**DETAIL 4**  
 SCALE 1:50  
 0 500 1000 1500



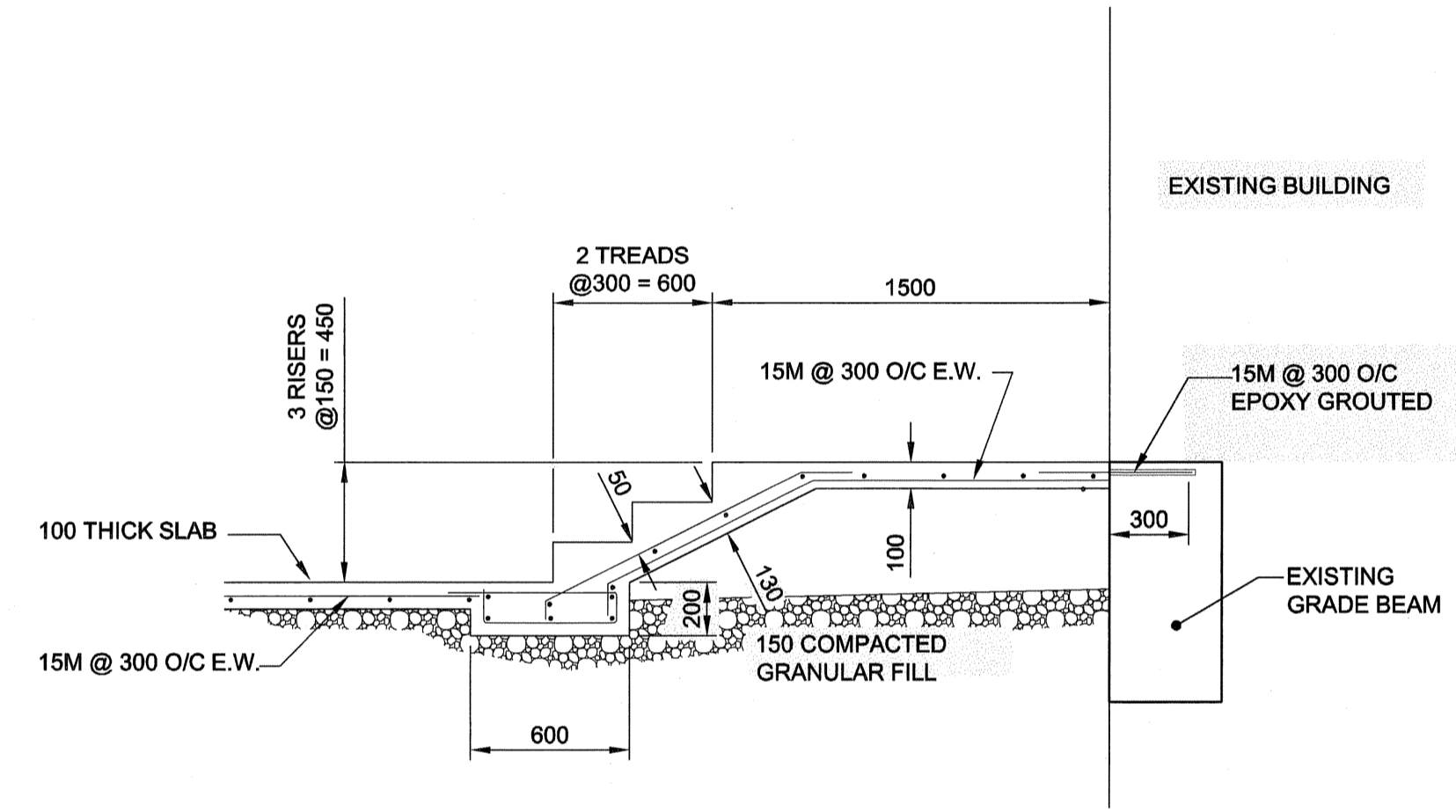
**DETAIL 5**  
 SCALE 1:50  
 0 500 1000 1500



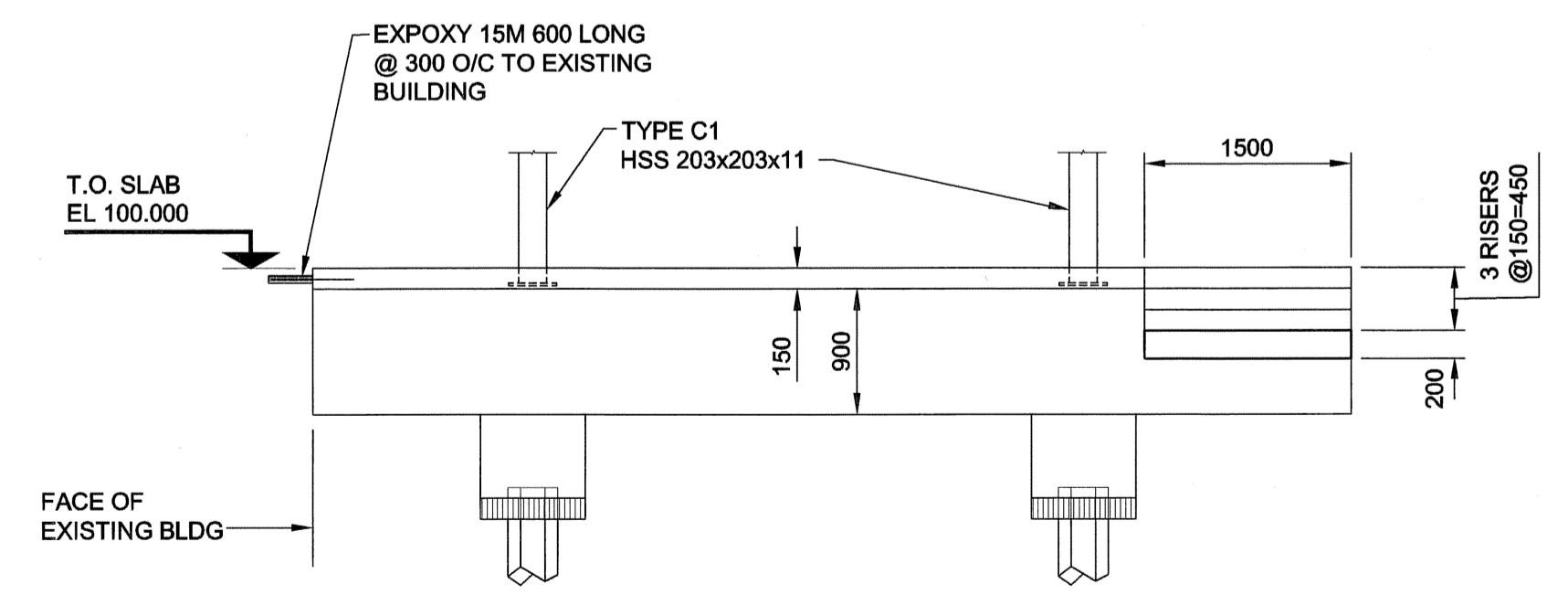
**SECTION A**  
 SCALE 1:25  
 0 250 500 750



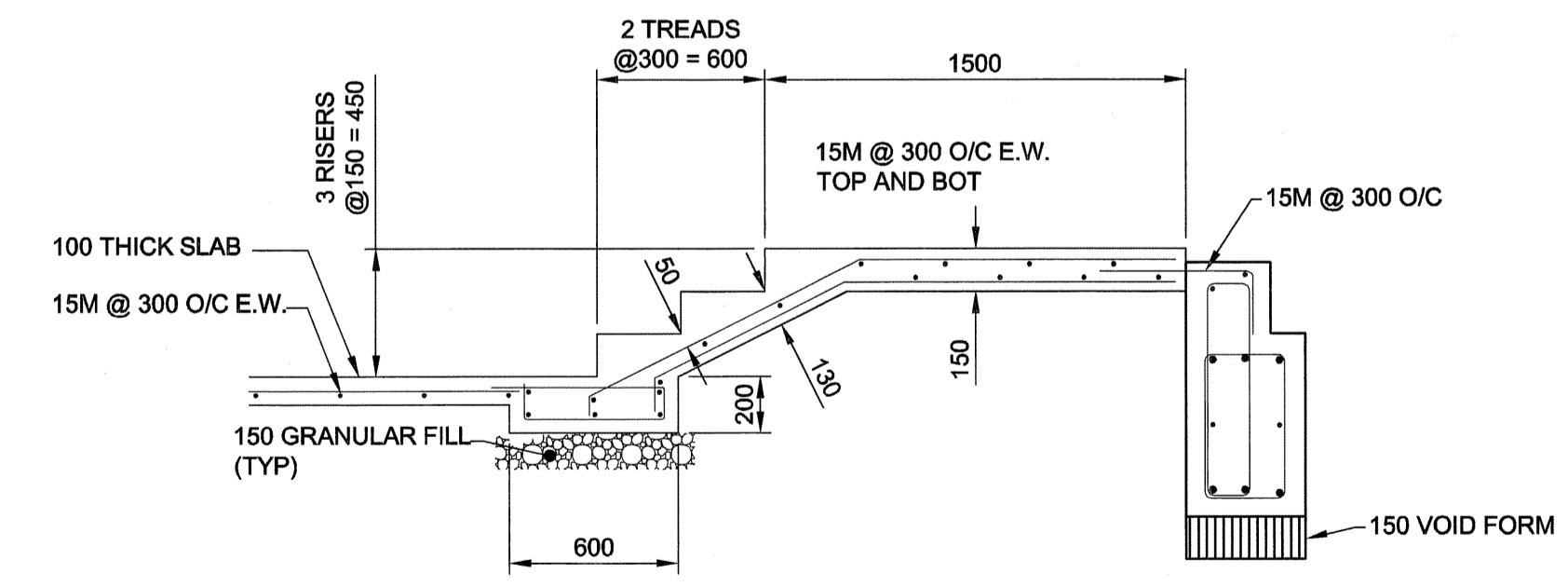
**SECTION B**  
 SCALE 1:25  
 0 250 500 750



**SECTION C**  
 SCALE 1:25  
 0 250 500 750



**SECTION D**  
 SCALE 1:50  
 0 500 1000 1500



**SECTION E**  
 SCALE 1:25  
 0 250 500 750

UMA | AECOM  
 © 2007 UMA ENGINEERING LTD. ALL RIGHTS RESERVED.

**APECM**  
 Certificate of Authorization  
 UMA Engineering Ltd. (MB)  
 No. 256 Date: July 23, 2007

DRN CHK DES ENG IDR  
 UMA | AECOM REVIEW

0	ISSUED FOR TENDER	DJH	07/07/23
NO.	REVISION/DESCRIPTION	BY	DATE

SEALS

PROVINCE OF MANITOBA  
 B.L. LAU  
 REGISTERED PROFESSIONAL ENGINEER  
 July 23, 2007

DRAWN BY DJH CHECKED BY APPROVED  
 DATE 2007.07.23 USER APPROVAL

CITY OF WINNIPEG  
 PLANNING, PROPERTY & DEVELOPMENT DEPARTMENT  
 CIVIC ACCOMMODATIONS DIVISION  
 300 - 65 GARRY ST. R3C 4K4

PROJECT  
 Construction of Cindy Klassen  
 Recreation Complex Facility  
 Enhancement Project  
 989 Sargent St. Winnipeg, Manitoba

SHEET TITLE  
 Structural  
 Concrete Stairs  
 Sections and Details

SCALE AS NOTED PROJECT NO. 2005-059 SHEET NO. S4.5

DRAWING SHEET SIZE: A1 (841mm x 594mm) PLOT 1:1