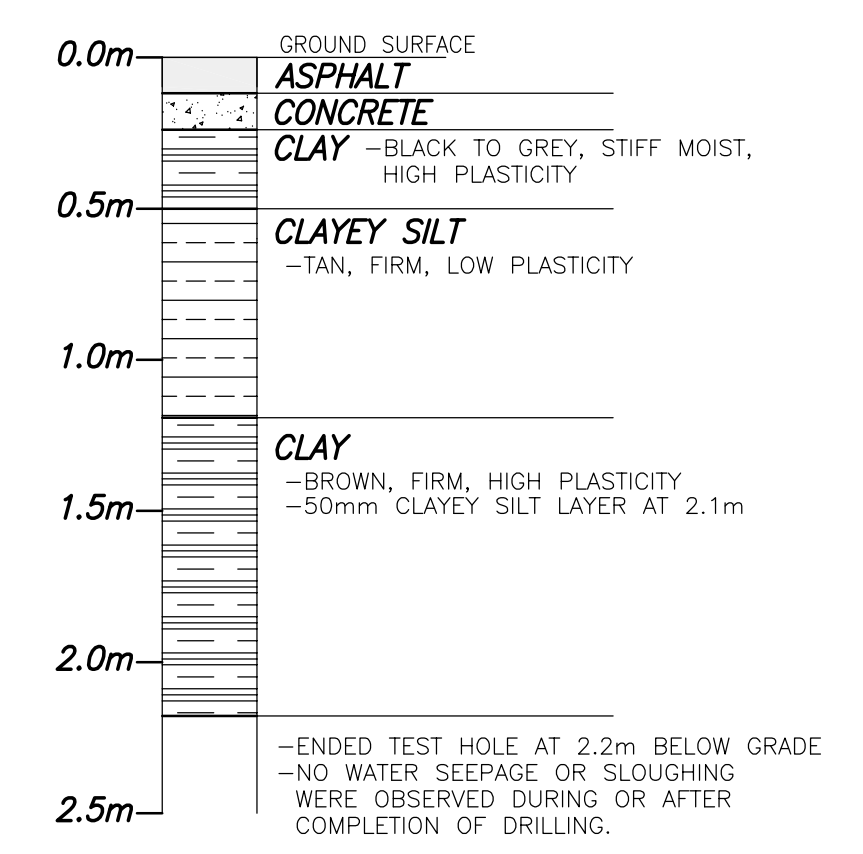
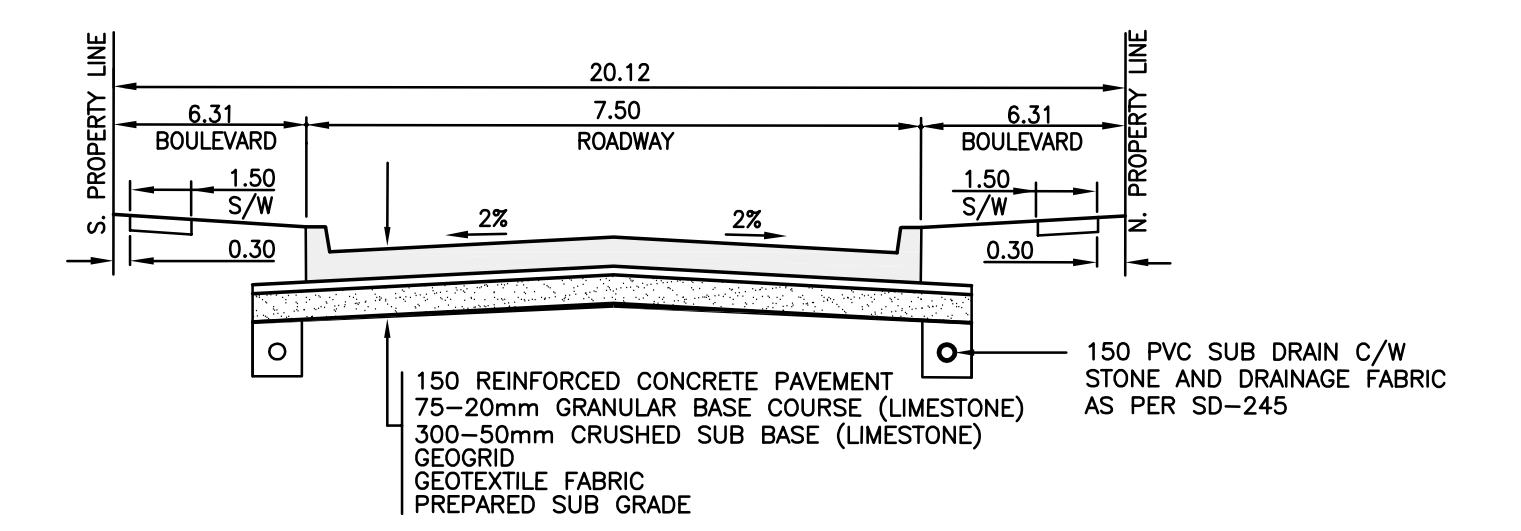
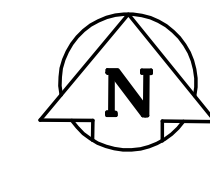
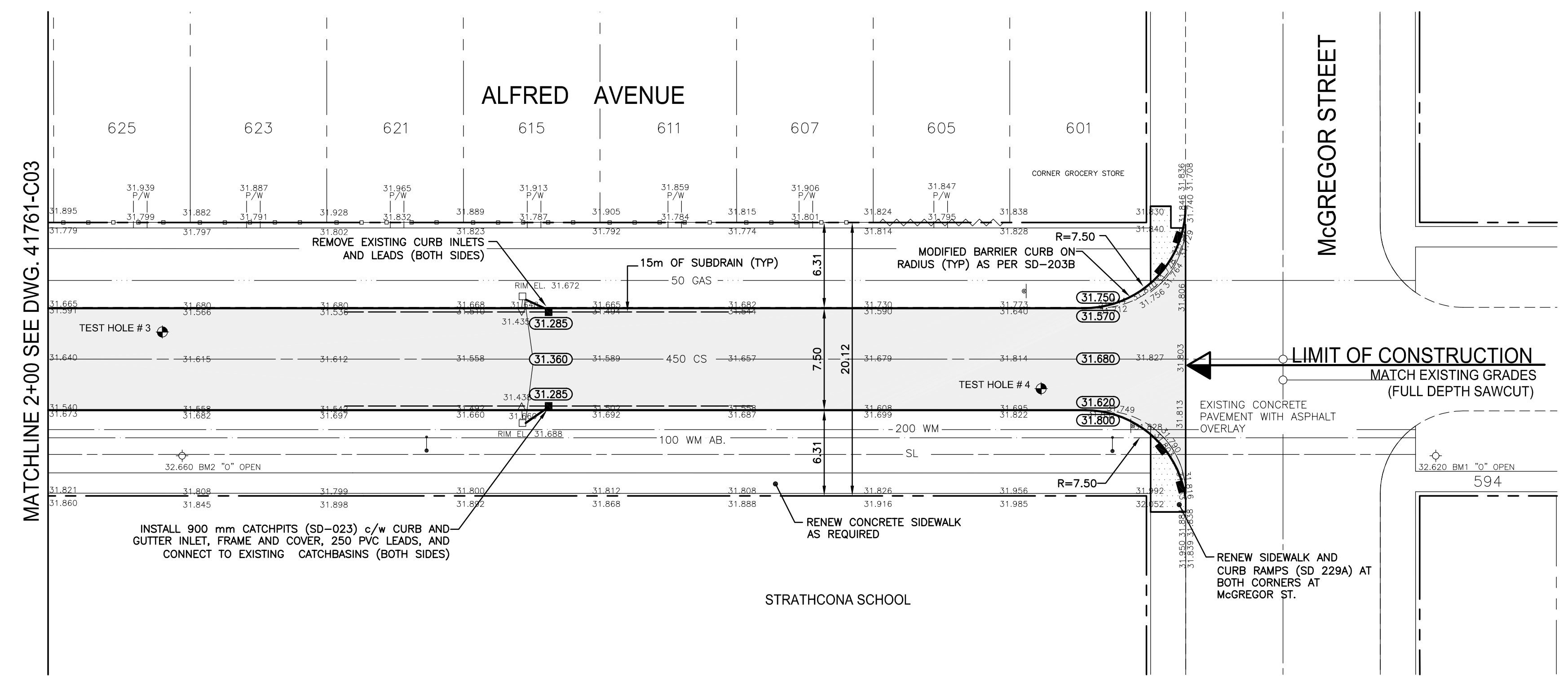


TESTHOLE #3



TESTHOLE #4



TYPICAL CROSS-SECTION
SCALE: NTS

- NOTES:
- ALL WORK AND MATERIALS TO BE IN ACCORDANCE WITH THE LATEST REVISION OF THE CITY OF WINNIPEG STANDARD CONSTRUCTION SPECIFICATIONS.
 - ALL ROADWAY DIMENSIONS SHOWN ARE TO BACK OF CURB.
 - ALL BOULEVARDS TO BE SODDED UNLESS OTHERWISE NOTED.
 - ADD 200.00 TO ALL ELEVATIONS TO OBTAIN GEODETIC ELEVATION.
 - CURB 180mm HEIGHT.

APEGM
Certificate of Authorization
ND LEA Inc.
No. 2728 Expiry: April 30, 2007

METRIC
WHOLE NUMBERS INDICATE MILLIMETRES
DECIMALIZED NUMBERS INDICATE METRES

EXISTING	LEGEND-PLAN	PROPOSED	EXISTING	LEGEND-PLAN	PROPOSED	EXISTING	LEGEND-PROFILE	PROPOSED
HP	HYDRO POLE		△	CURB INLET		---	NORTH PROPERTY LINE	
---	PROPERTY LINE		○	STREET LIGHT		---	SOUTH PROPERTY LINE	
---	EDGE OF PAVEMENT		○	FENCE		---	CENTERLINE	
---	ELEVATION	(32.000)	~	SHRUB		---	NORTH GUTTER	
---	EDGE OF GRAVEL		---	RENEW SIDEWALK		---	SOUTH GUTTER	
---	WATERMAIN		---	150 REINFORCED CONC.				
---	LAND DRAINAGE SEWER							
○	MANHOLE		●					
□	CATCH BASIN		■					
---	UTILITIES ADJUSTED	○ □ △						

LOCATIONS APPROVED
UNDERGROUND STRUCTURES

SIGNED BY: _____ DATE: _____

SUPV U/G STRUCTURES

LOCATION OF UNDERGROUND STRUCTURES AS SHOWN ARE BASED ON THE BEST INFORMATION AVAILABLE BUT NO GUARANTEE IS GIVEN THAT ALL EXISTING UTILITIES ARE SHOWN OR THAT THE GIVEN LOCATIONS ARE EXACT CONFIRMATION OF EXISTANCE AND EXACT LOCATION OF ALL SERVICES MUST BE OBTAINED FROM THE INDIVIDUAL UTILITIES BEFORE PROCEEDING

G.B.M. 25-014
ELEV. 231.773

N.W. Cor. Burrows Ave. & Mcgregor St. Brass plug in Conc. pile to horizon, 2.4 m S. of N.L. of Burrows Ave. & 0.6 m W. of W.L. of Mcgregor St.

NDLEA Inc.
Suite 111-93 Lombard Avenue Winnipeg, Manitoba R3B 3B1
Phone (204) 943-3178 Facsimile (204) 943-4948

DESIGNED BY: RMB
DRAWN BY: PD
HOR. SCALE: 1:250
VERTICAL: 1:25 / 1:50

CHECKED BY: RMB/Dd
APPROVED BY: RMB
RELEASED FOR CONSTRUCTION

DATE: DEC.06
BY: RMB

ENGINEER'S SEAL
PROVINCE OF MANITOBA
REGISTERED PROFESSIONAL ENGINEER
R.M. BORODY

CONSULTANT ACAD. DWG. NO.
41761-C04

Winnipeg CITY OF WINNIPEG
PUBLIC WORKS DEPARTMENT
ENGINEERING SERVICES DIVISION

2007 RESIDENTIAL STREET RENEWAL PROGRAM
PAVEMENT RECONSTRUCTION
ALFRED AVENUE
STA. 2+00 TO Mcgregor STREET

CITY DRAWING NUMBER
SHEET 2 OF 2