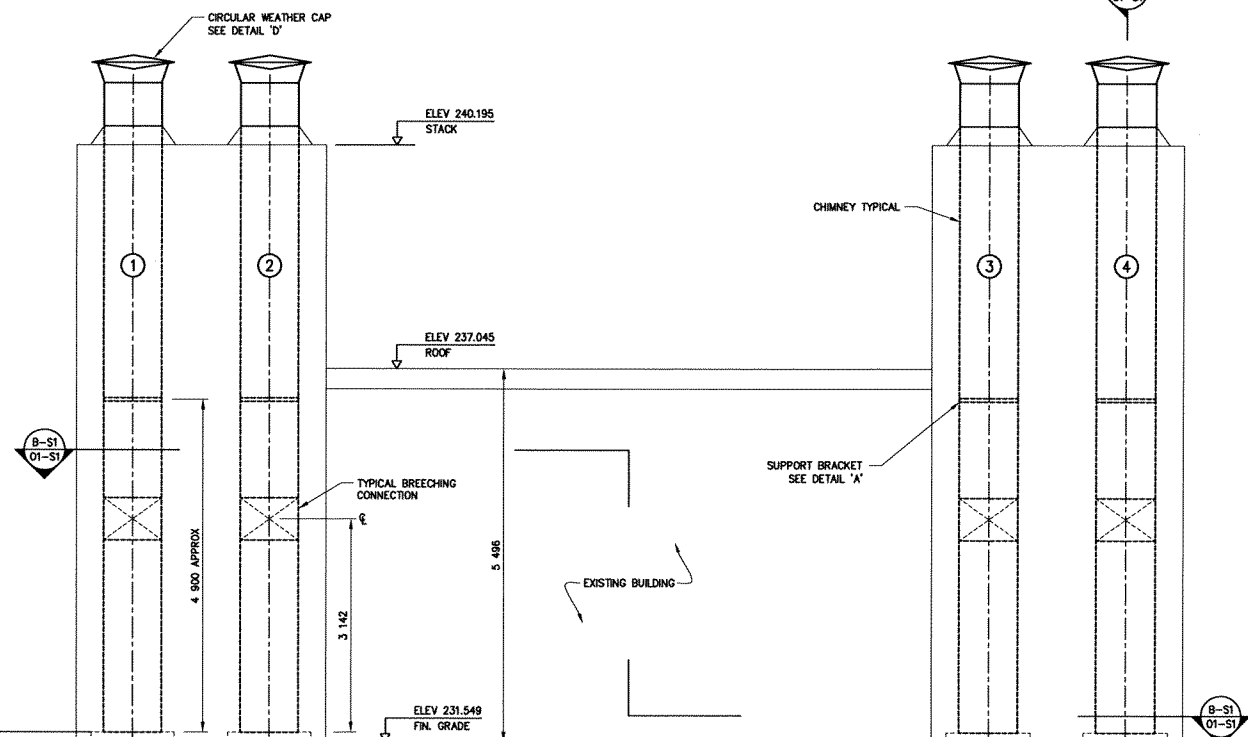


SECTION B-S1
1:50



ELEVATION C-S1
1:50



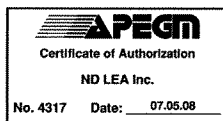
GENERAL NOTES:

1. THE CONTRACTOR SHALL VERIFY ALL EXISTING GEOMETRY AS WELL AS PROPOSED DIMENSIONS, ELEVATIONS AND LAYOUT IN THE FIELD PRIOR TO FABRICATION AND INSTALLATION, AND NOTIFY THE CONTRACT ADMINISTRATOR OF ANY INCONSISTENCIES.
2. ANY DAMAGE TO EXISTING STRUCTURE BY THE CONTRACTOR'S OPERATIONS SHALL BE REPAIRED BY THE CONTRACTOR AT HIS OWN COST.
3. ALL REFERENCES TO CODES, STANDARDS, SPECIFICATIONS, GUIDELINES, ETC. SHALL MEAN THE LATEST EDITION.
4. ALL STAINLESS STEEL SHALL BE GRADE 316L UNLESS OTHERWISE NOTED.
5. ALL WELDS SHALL CONFORM TO CSA STANDARD W59 AND AMERICAN WELDS SOCIETY STANDARD AWS D1-5.

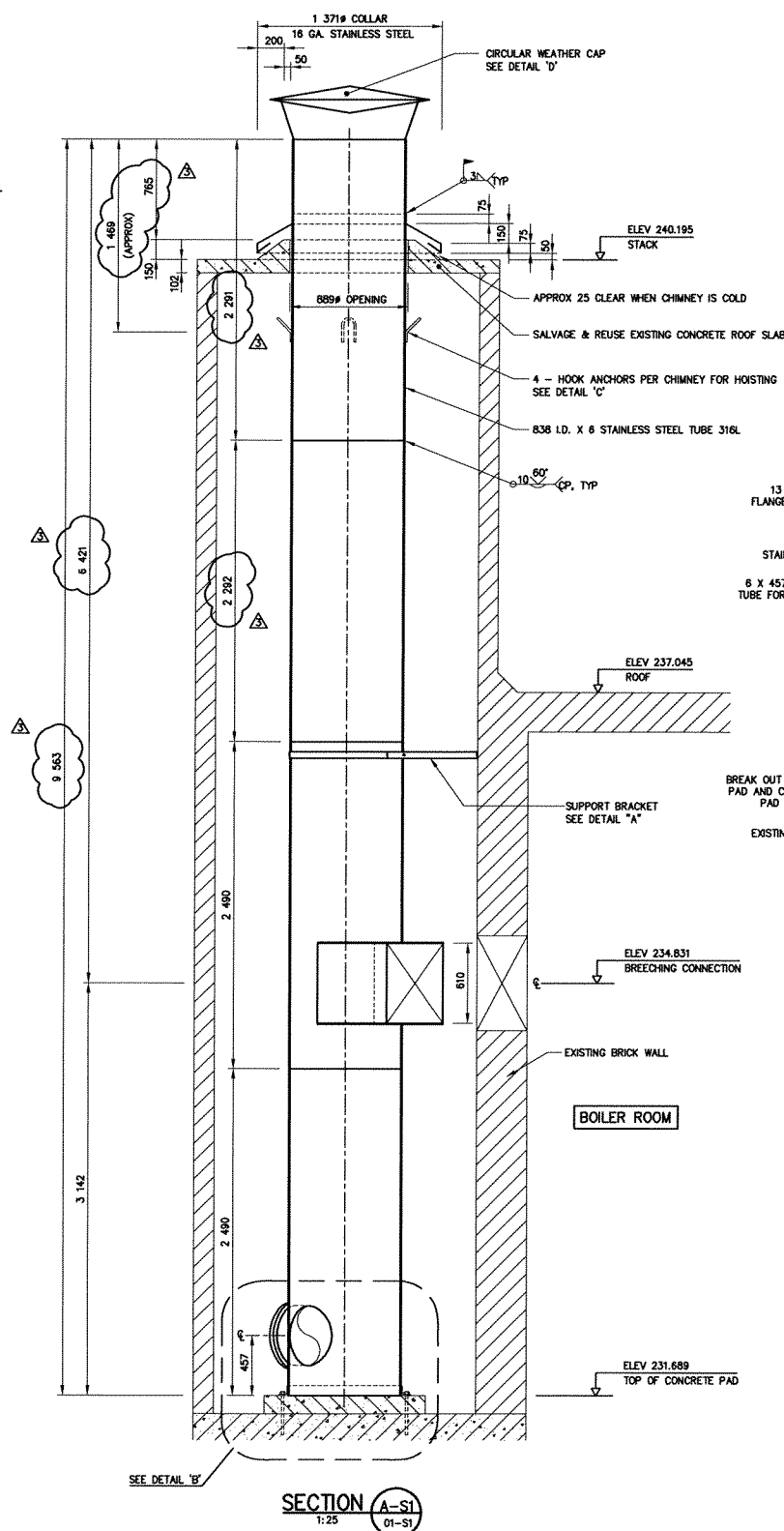
ITEMS OF WORK:

1. REMOVAL OF EXISTING CHIMNEYS, INCLUDING ALL ITEMS INCIDENTAL TO THE WORK.
2. REMOVAL AND ON-SITE STORAGE OF ROOF SLAB AND REINSTALLATION AFTER NEW CHIMNEYS HAVE BEEN INSTALLED.
3. REMOVAL OF SECTIONS OF BREACHING CONNECTION/FLUE AS DIRECTED BY CONTRACT ADMINISTRATOR.
4. CUT EXISTING ANCHOR BOLTS 40 BELOW TOP OF NEW CONCRETE PAD.
5. SUPPLY AND INSTALL NEW CHIMNEYS, INCLUDING ALL ITEMS INCIDENTAL TO THE WORK.
6. SITE RESTORATION AND CLEAN UP.

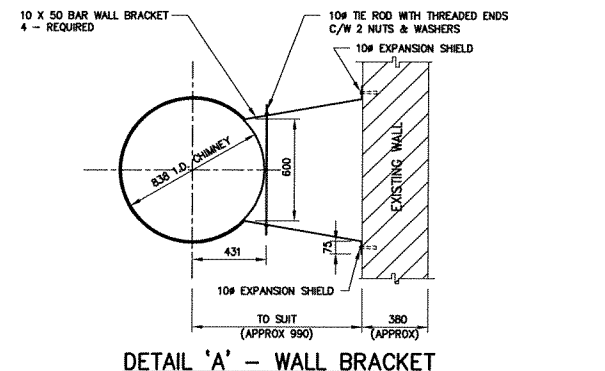
A-B
C
A = DETAIL/SECTION No.
B = DRAWING WHERE SHOWN
C = DRAWING WHERE TAKEN



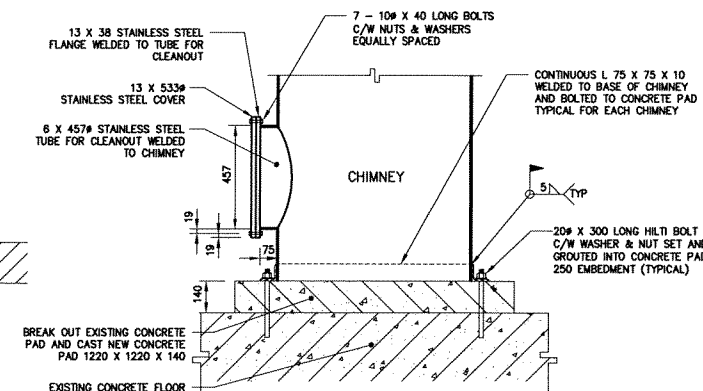
METRIC
WHOLE NUMBERS INDICATE MILLIMETRES
DECIMALIZED NUMBERS INDICATE METRES



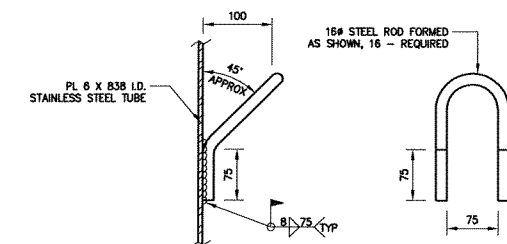
SECTION A-S1
1:25



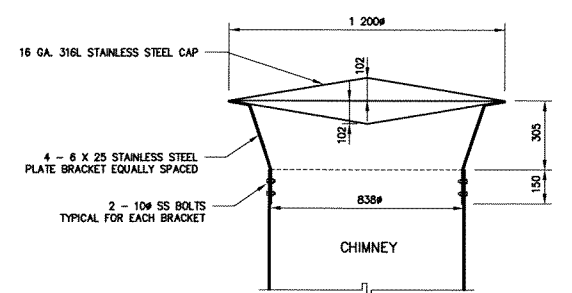
DETAIL 'A' - WALL BRACKET
1:20



DETAIL 'B' - CLEAN OUT AND BASE CONNECTION
1:15



DETAIL 'C'
1:5
APPROX. WT. OF 1 CHIMNEY - 3000 TO 3500 LBS



DETAIL 'D' CIRCULAR WEATHER CAP
1:15

		ND LEA Inc. Suite 111 - 83 Lombard Ave. Winnipeg, MB R2S 0S1 T. 204.943.3776 F. 204.943.4948 www.ndlea.ca		ENGINEER'S SEAL 	
DESIGNED BY	GK	CHECKED BY	JPL	THE CITY OF WINNIPEG WATER AND WASTE DEPARTMENT 	
DRAWN BY	ELD	APPROVED BY	MH		
HOR. SCALE	AS SHOWN	RELEASED FOR TENDER AND CONSTRUCTION		NORTH END WATER POLLUTION CONTROL CENTER REPLACEMENT OF 4 CHIMNEYS BOILER BUILDING - WEST WALL	
VERTICAL				CONSULTANT DRAWING NUMBER 41855-01-S1	
NO. REVISIONS	DATE	BY	DATE	SHEET 1 OF 1 CITY DRAWING NUMBER NEP-2553	
			07 04 12		
			07 05 17		
			07 05 17		

Jul 13, 2007 - 3:53pm
 P:\11800 - 11800\11855 Replacement of 4 Chimneys\ND Lea Draw\11855-01-S1\03_070713.dwg - Job Layout