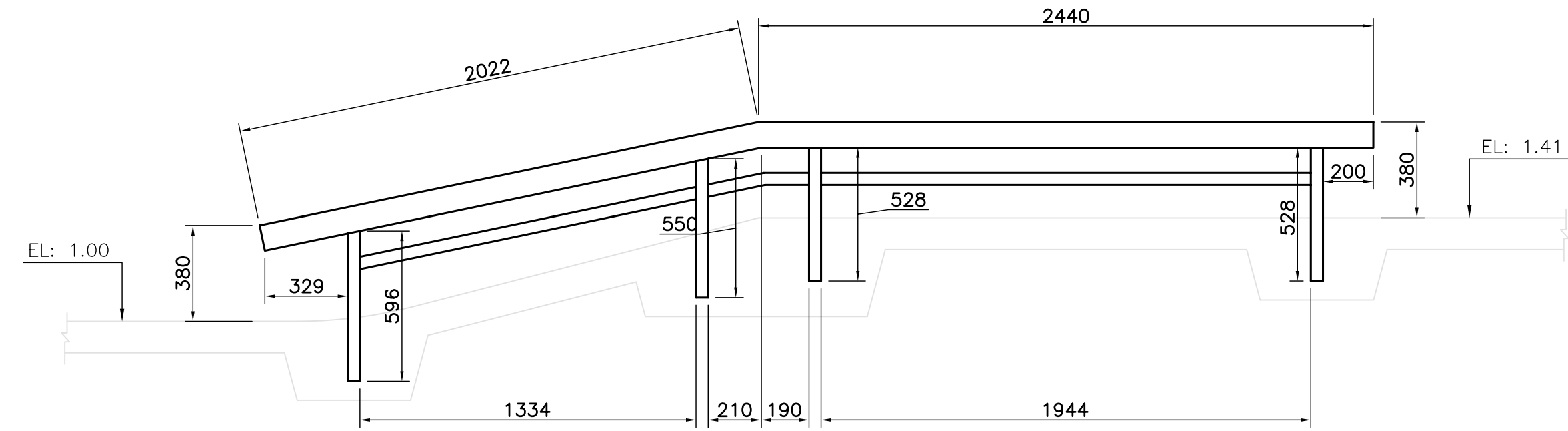
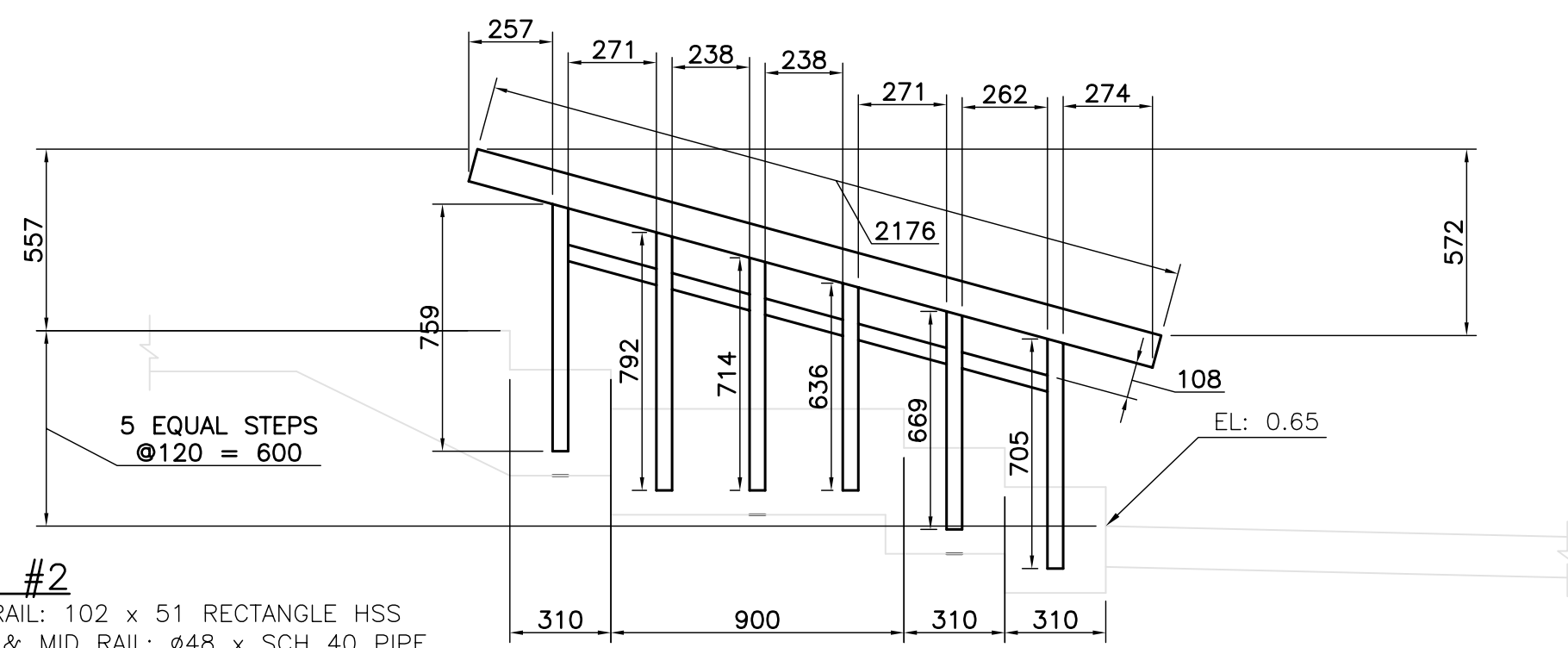


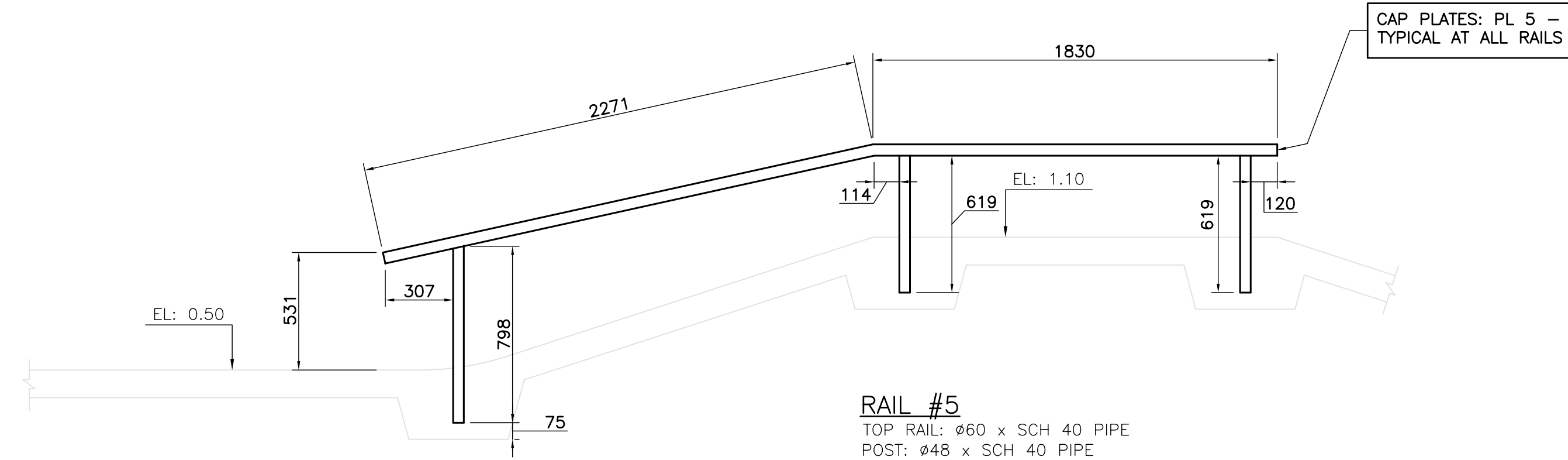
RAIL #1
 TOP RAIL: #60 x SCH 40 PIPE
 POST: #48 x SCH 40 PIPE



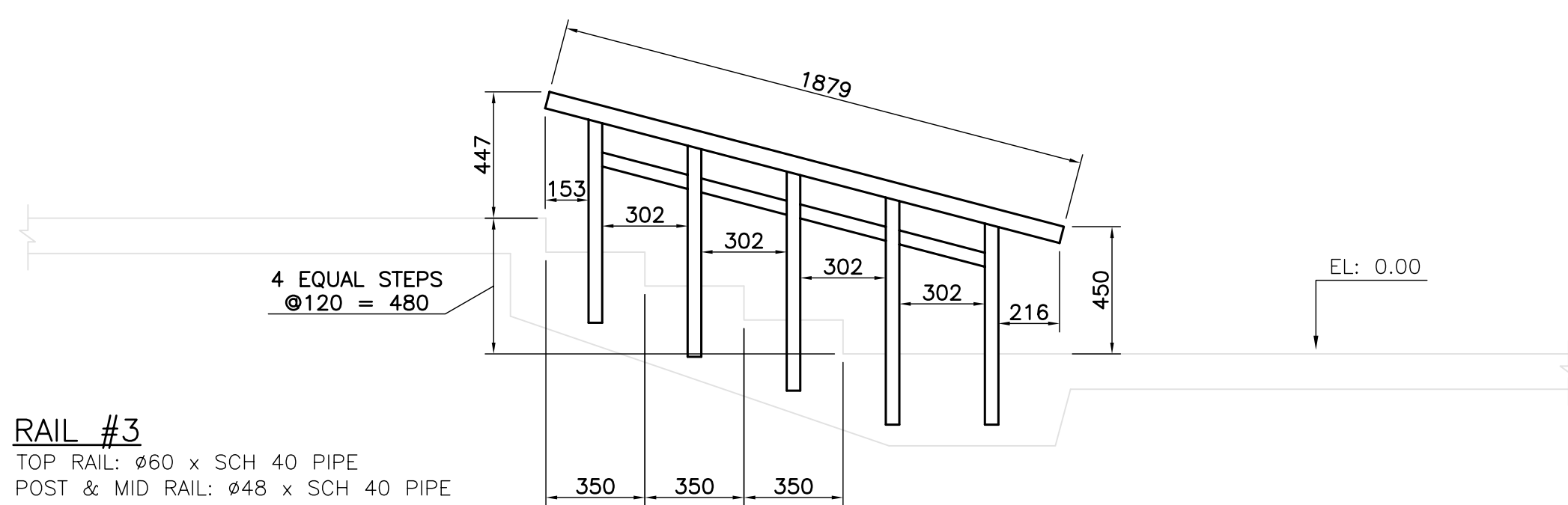
RAIL #4
 TOP RAIL: 102 x 51 RECTANGLE HSS
 POST: #48 x SCH 40 PIPE



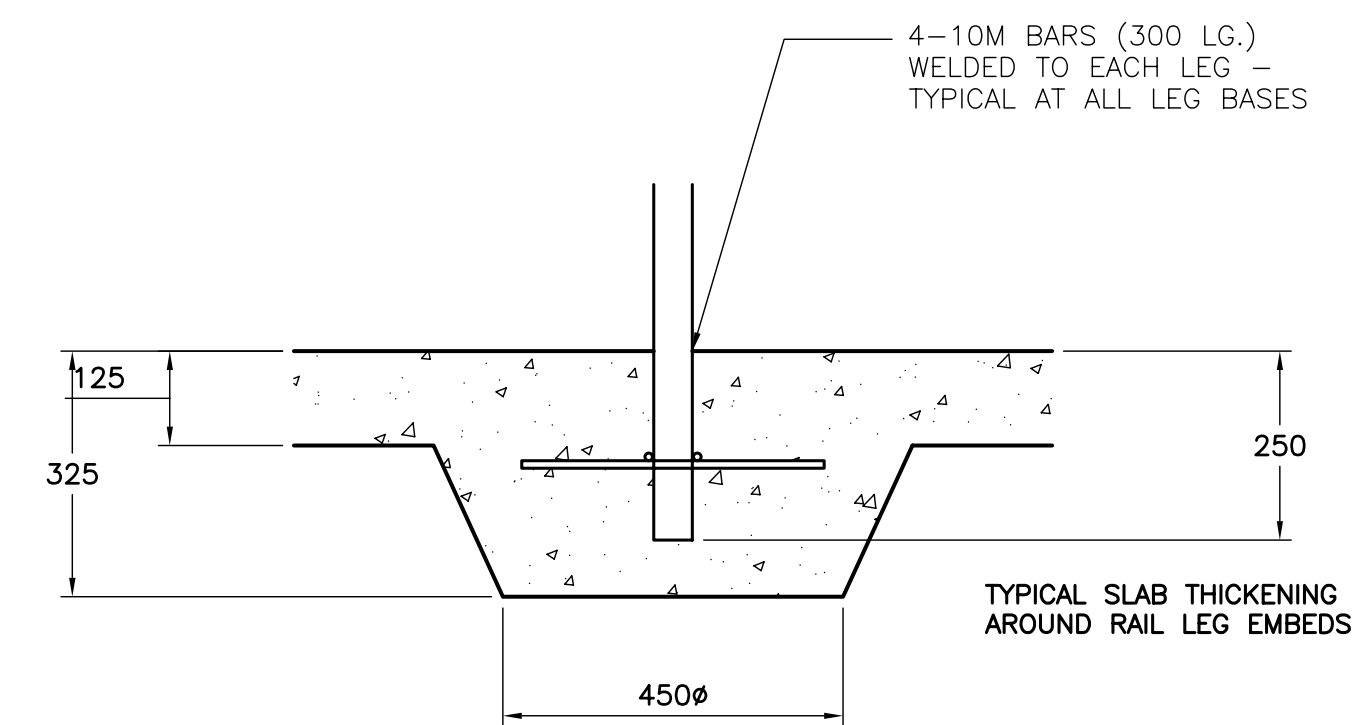
RAIL #2
 TOP RAIL: 102 x 51 RECTANGLE HSS
 POST & MID RAIL: #48 x SCH 40 PIPE



RAIL #5
 TOP RAIL: #60 x SCH 40 PIPE
 POST: #48 x SCH 40 PIPE



RAIL #3
 TOP RAIL: #60 x SCH 40 PIPE
 POST & MID RAIL: #48 x SCH 40 PIPE



CAST IN PLACE RAIL BASE DETAIL



Robert Harry Fulton
 May 28, 2007

D			
C			
B			
A	ISSUED FOR TENDER	MAY/28/07	MhR
NEW	ISSUED FOR TENDER	05/09/07	MhR
REVISIONS			

NOTES:
 1. COLOUR OF THE RAILS WILL BE SELECTED BY OWNER AND PROVIDED TO THE CONTRACTOR.

SPECTRUM SKATEPARK CREATIONS LTD. AND FULTON ENGINEERING CO. LTD. ARE THE SOLE PROPRIETORS OF THE CONTENTS OF THIS DRAWING PACKAGE. DUPLICATION OF ANY OF THE CONTENTS OF THIS DRAWING PACKAGE WITHOUT PERMISSION FROM THE AFOREMENTIONED PARTIES IS STRICTLY PROHIBITED.



STRUCTURAL ENGINEERING CONSULTANT:

FULTON ENGINEERING COMPANY LTD.
 Phone: (604) 589-3455
 Cell: (604) 290-3455
 Email: r.fulton@fultonengineering.ca
 8605 Sunbury Place, V4C 3Y9
 Delta, British Columbia, Canada

PROJECT
FORT GARRY COMMUNITY CENTRE SKATEBOARD PARK, MANITOBA

TITLE:
RAIL DETAILS

DESIGN BY
 J. BARNUM
 DRAWN BY
 G. GAN
 DATE
 05/09/07
 SCALE
 AS NOTED

SHEET NO.
SK5.2