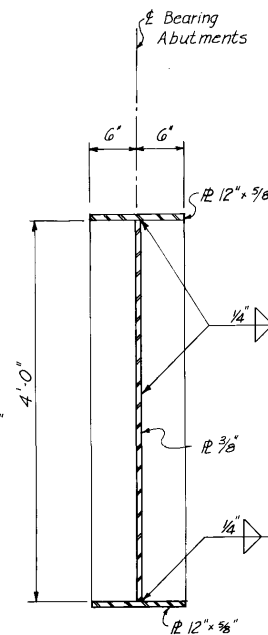
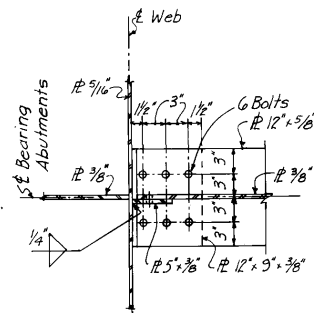


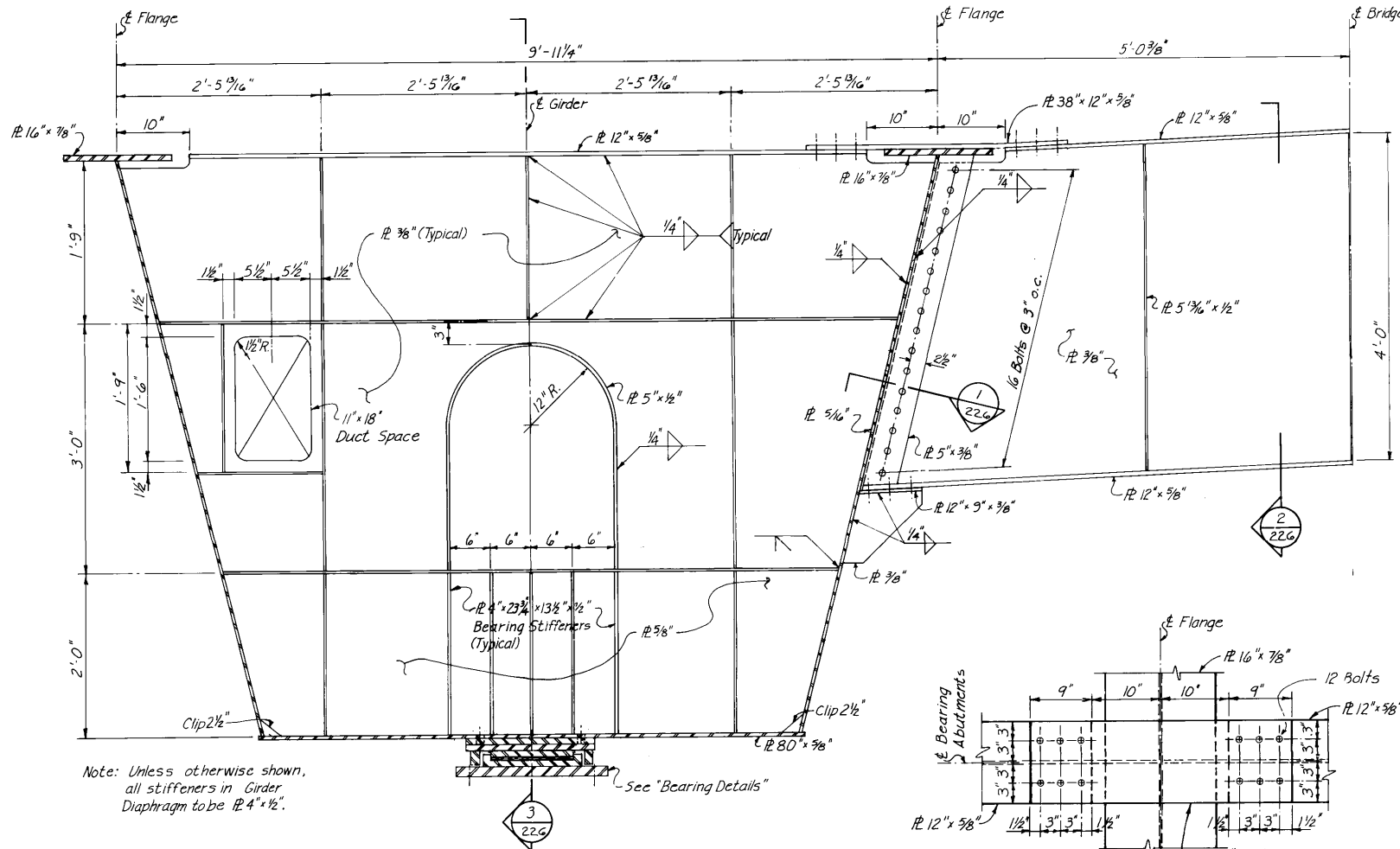
ELEVATION
Scale: 1/2" = 1'-0"

M.T.S. Utility Opening Located in North Box Girder in South Bridge



1 SECTION
226 Scale: 1" = 1'-0"

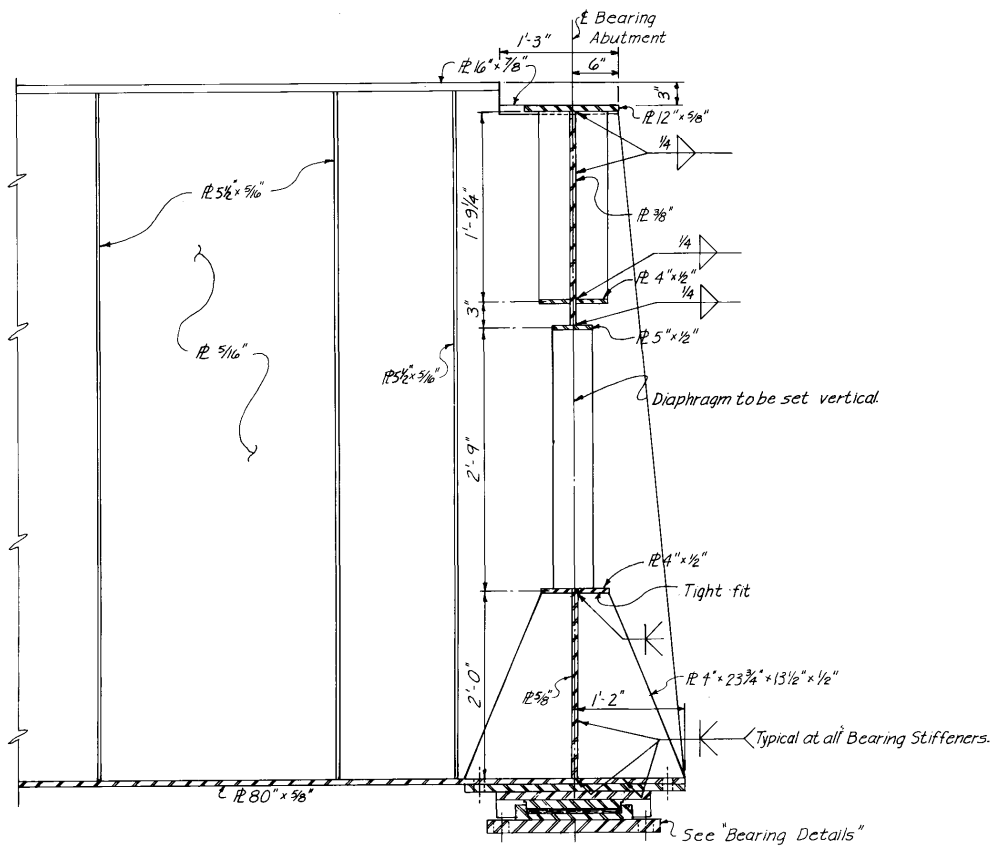
2 SECTION
226 Scale: 1" = 1'-0"



Note: Unless otherwise shown, all stiffeners in Girder Diaphragm to be R 4" x 1/2".

DETAIL
Scale: 1" = 1'-0"

PLAN VIEW
Scale: 1" = 1'-0"



3 SECTION
226 Scale: 1" = 1'-0"

Nov. 15/77

PROVINCE OF MANITOBA
D.L. MILLS
REGISTERED ENGINEER

THE CITY OF WINNIPEG
PUBLIC WORKS DEPARTMENT

ABUTMENT DIAPHRAGM DETAILS

AS SHOWN

J.T.K. DEC. 76 S.T.K. DEC. 76
S.T.K. JAN. 77 D.L.M. JAN. 77

25 Nov 77
25/8/77

226