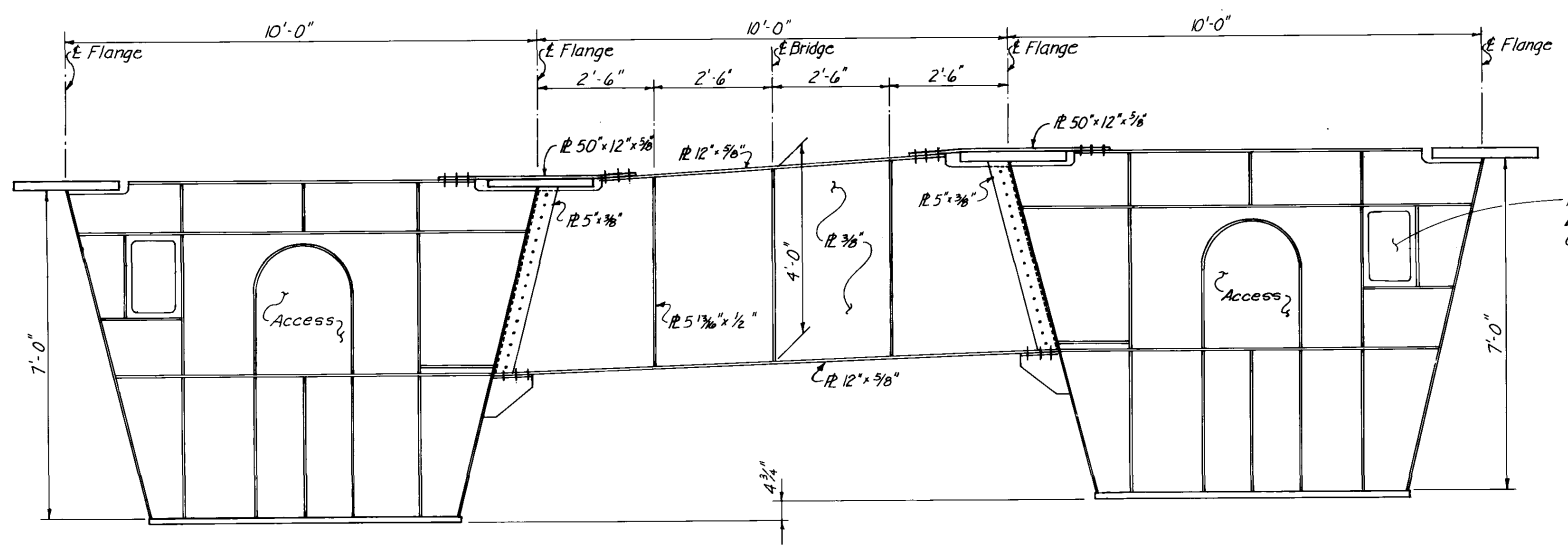
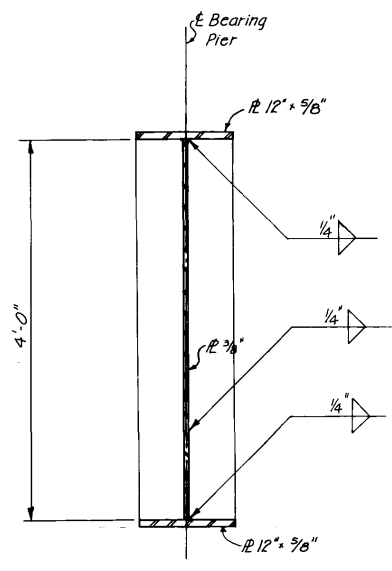


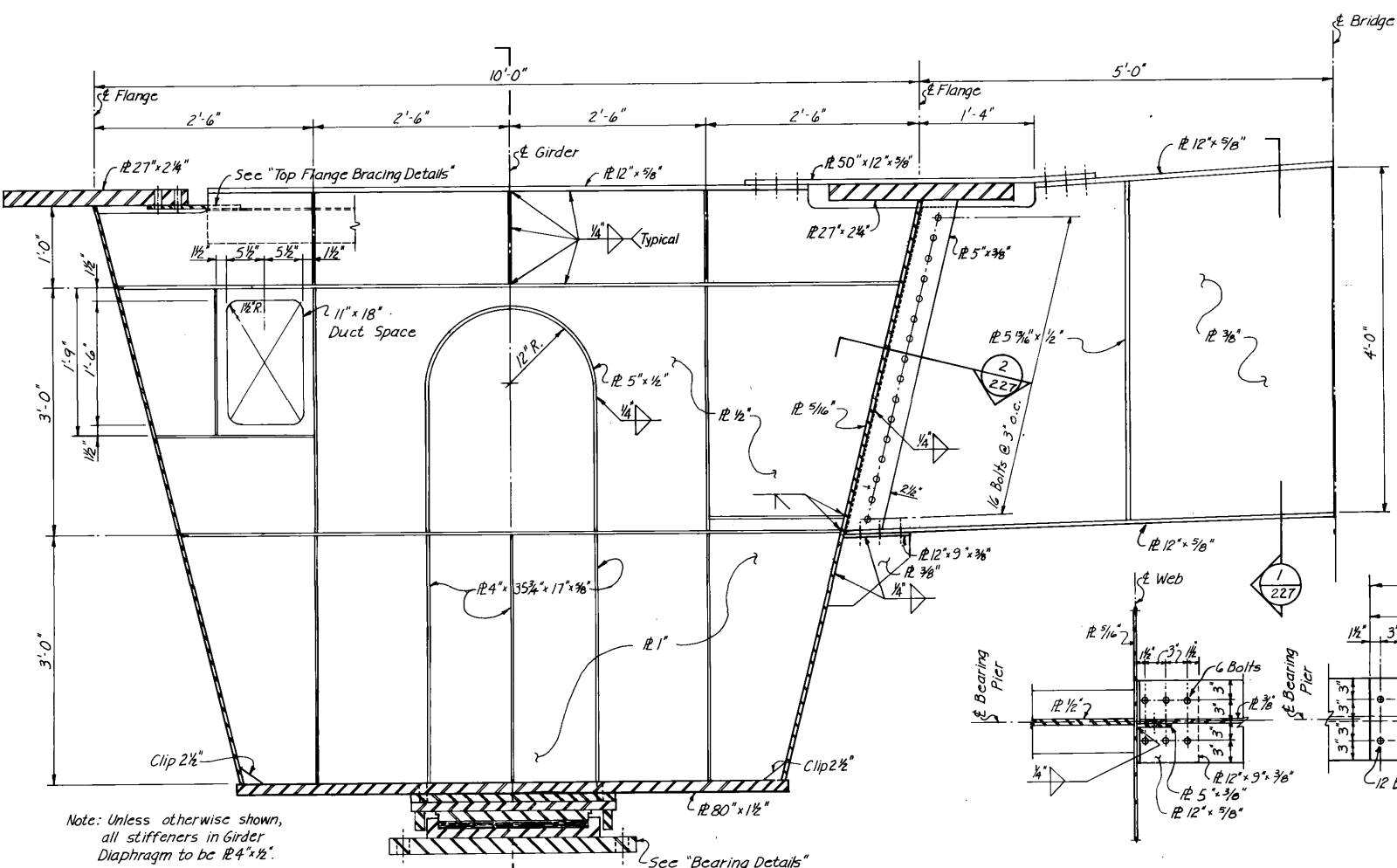
10 INCHES
19
8
17
16
14
13
12
11
10



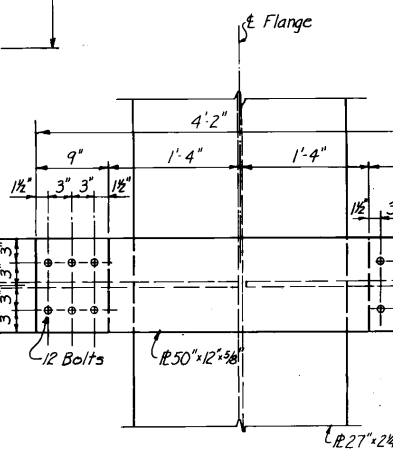
ELEVATION
Scale: 1/2"=1'-0"



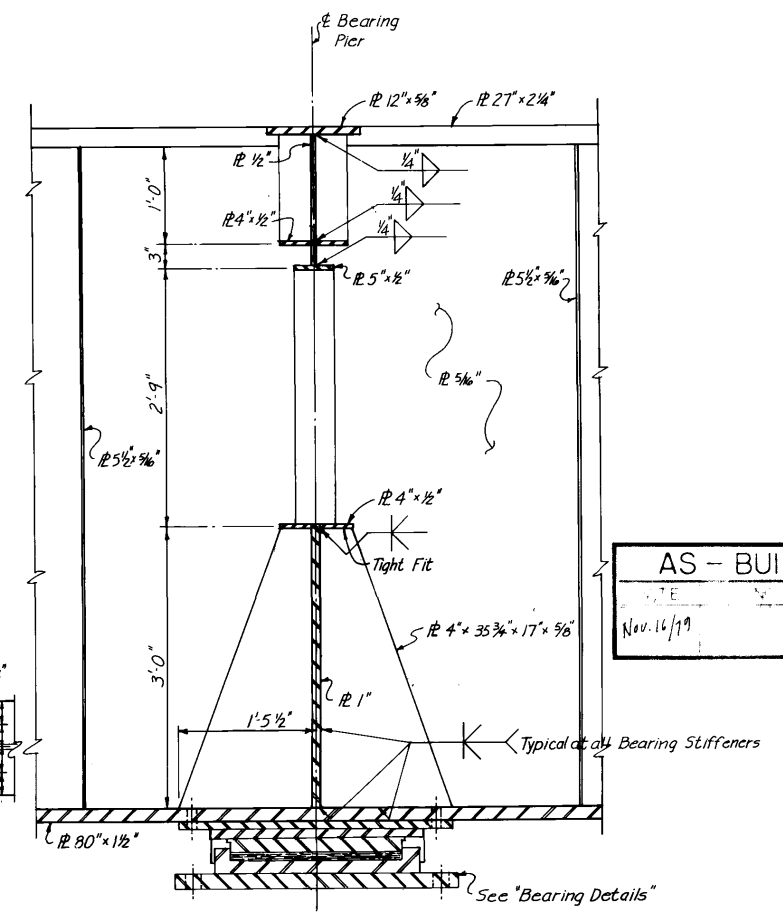
1 SECTION
227 Scale: 1"=1'-0"



2 SECTION
227 Scale: 1"=1'-0"



PLAN VIEW
Scale: 1"=1'-0"



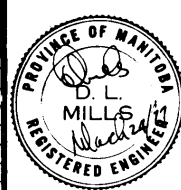
3 SECTION
227 Scale: 1"=1'-0"

Note: Unless otherwise shown, all stiffeners in Girder Diaphragm to be R 4" x 1/2"

DETAIL
Scale: 1"=1'-0"

AS - BUILT
Nov. 16/79

NO.	REVISIONS	DATE	BY
0	ISSUED FOR TENDER	4.4.77	



THE CITY OF WINNIPEG
WORKS & OPERATIONS DEPARTMENT
STREETS & TRANSPORTATION DIVISION

W.L. WARDROP & ASSOCIATES LTD.
ENGINEERING CONSULTANTS
WINNIPEG, THUNDER BAY, REGINA, SASKATOON, EDMONTON

APPROVED BY: *[Signature]* DATE 25/11/77

DRAWN BY: J.T.K. DATE DEC. 76
PRELIM. CHK. S.T.K. DATE JAN. 77

DESIGN: S.T.K. DATE DEC. 76
CHECK: D.L.M. DATE JAN. 77

ROUTE 165

PIER DIAPHRAGM DETAILS

SCALE: **AS SHOWN**

DRAWING NO. **B-5092-227**

APPROVED BY: *[Signature]* DATE 25/11/77
MANAGER OF STREETS AND TRAFFIC