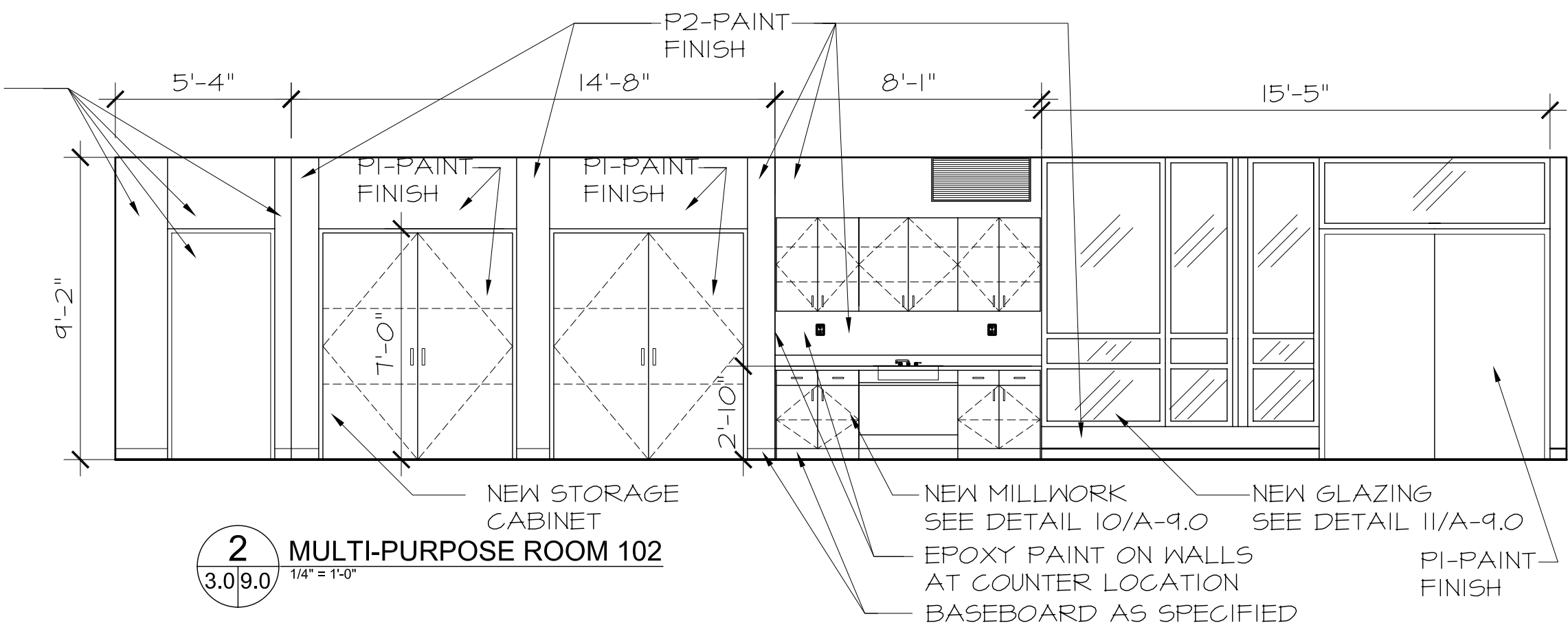
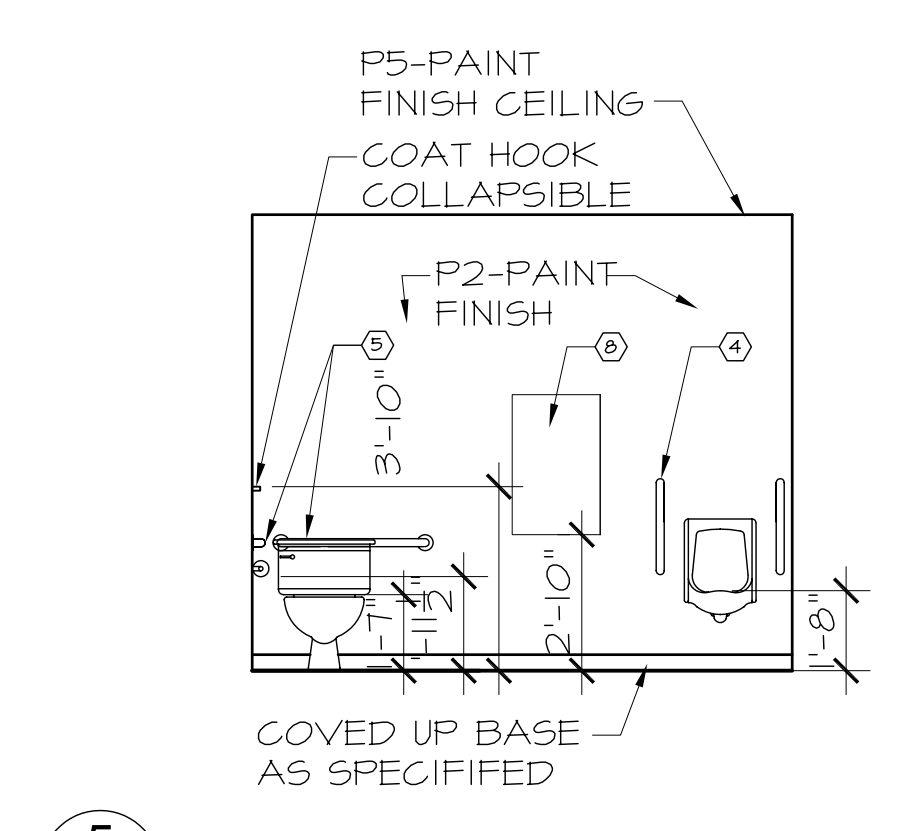


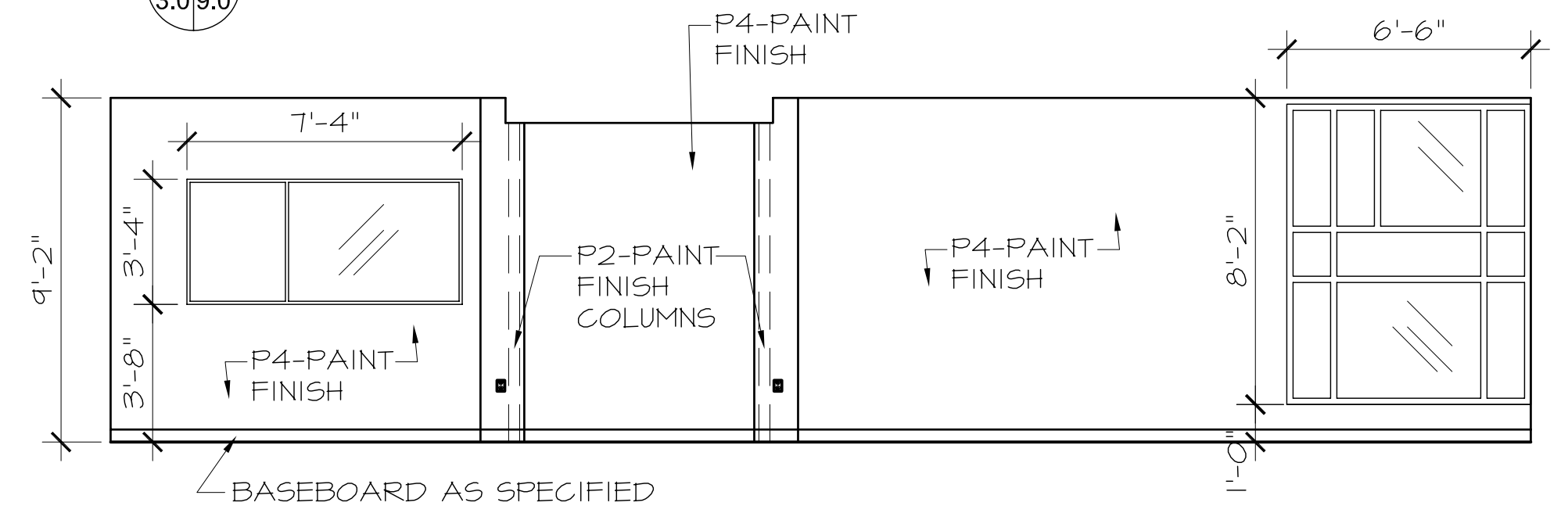
1 MULTI-PURPOSE ROOM 102
3.0/9.0 1/4" = 1'-0"



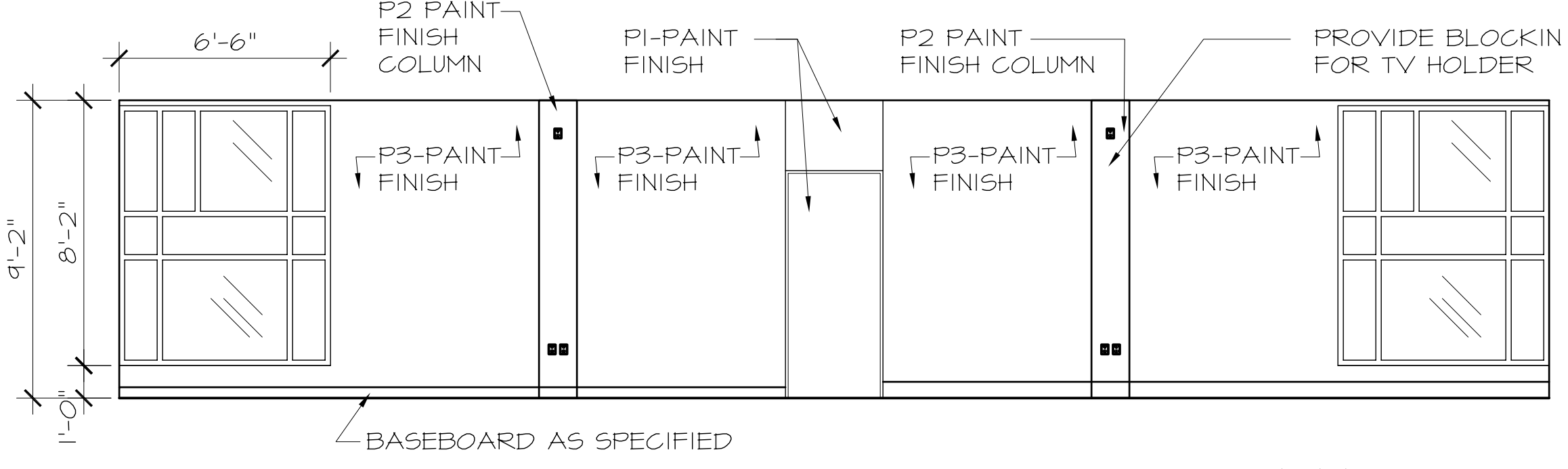
2 MULTI-PURPOSE ROOM 102
3.0/9.0 1/4" = 1'-0"



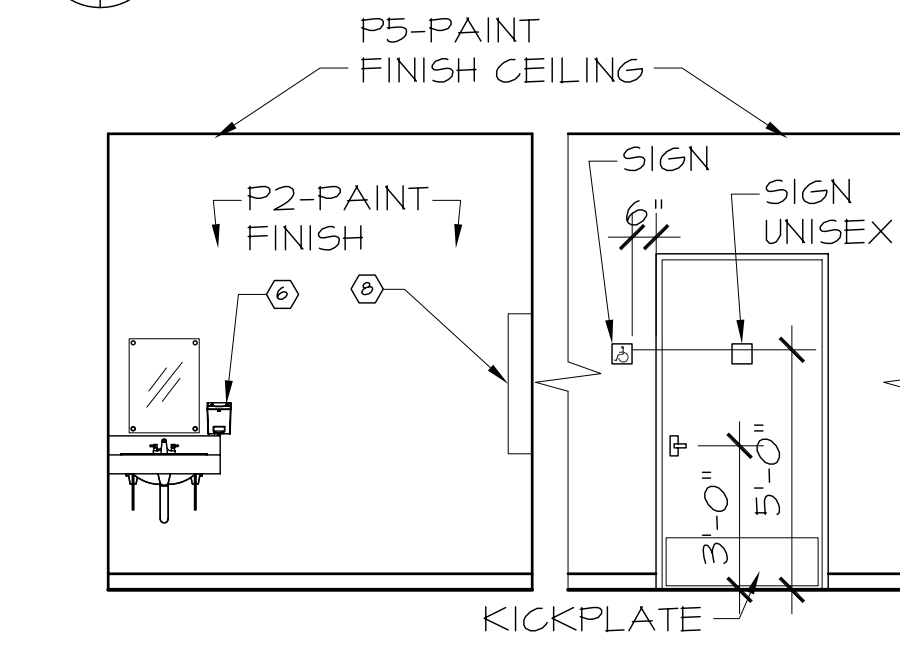
5 BARRIER FREE WASHROOM 105
3.0/9.0 1/4" = 1'-0"



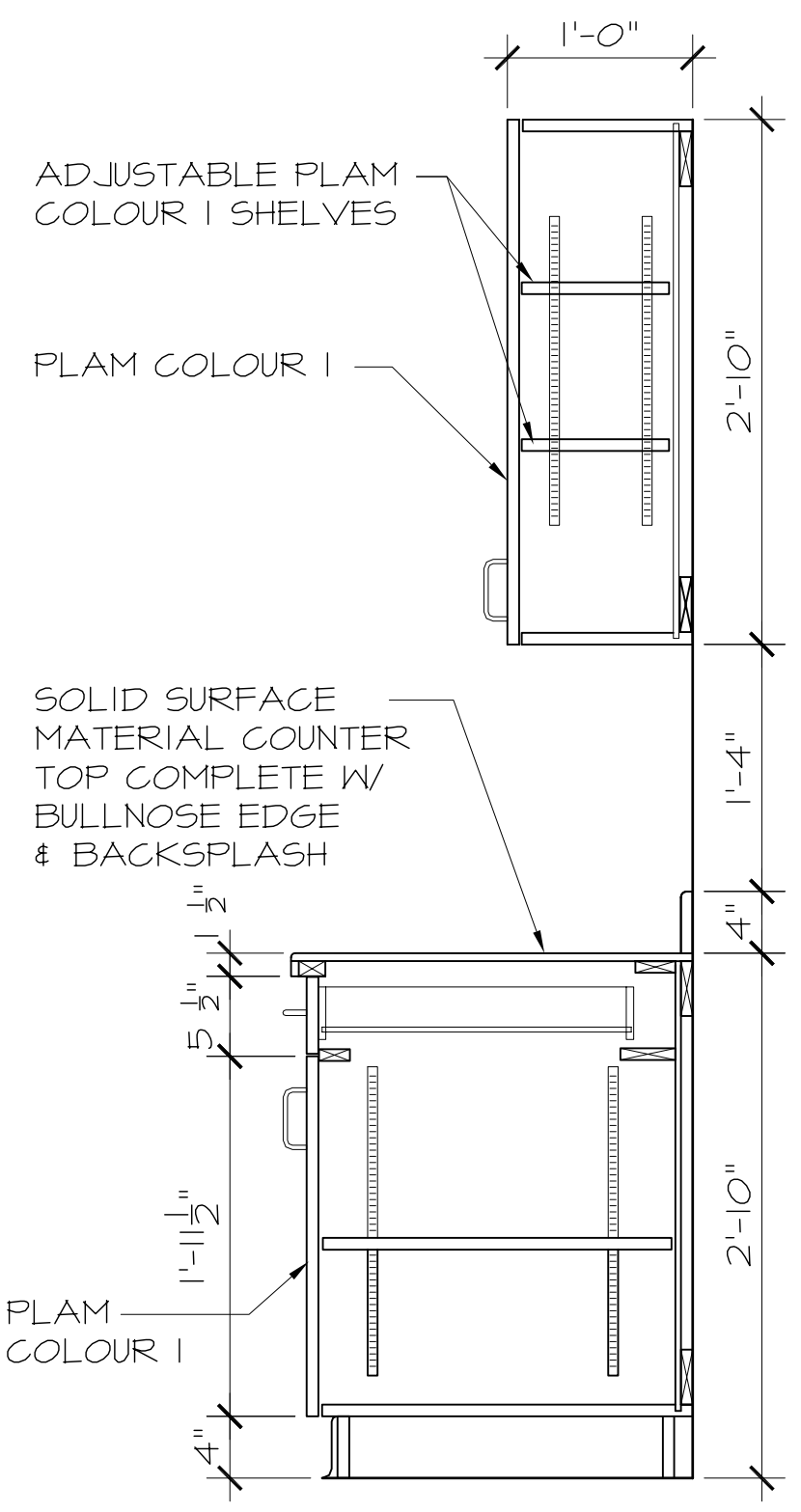
3 MULTI-PURPOSE ROOM 102
3.0/9.0 1/4" = 1'-0"



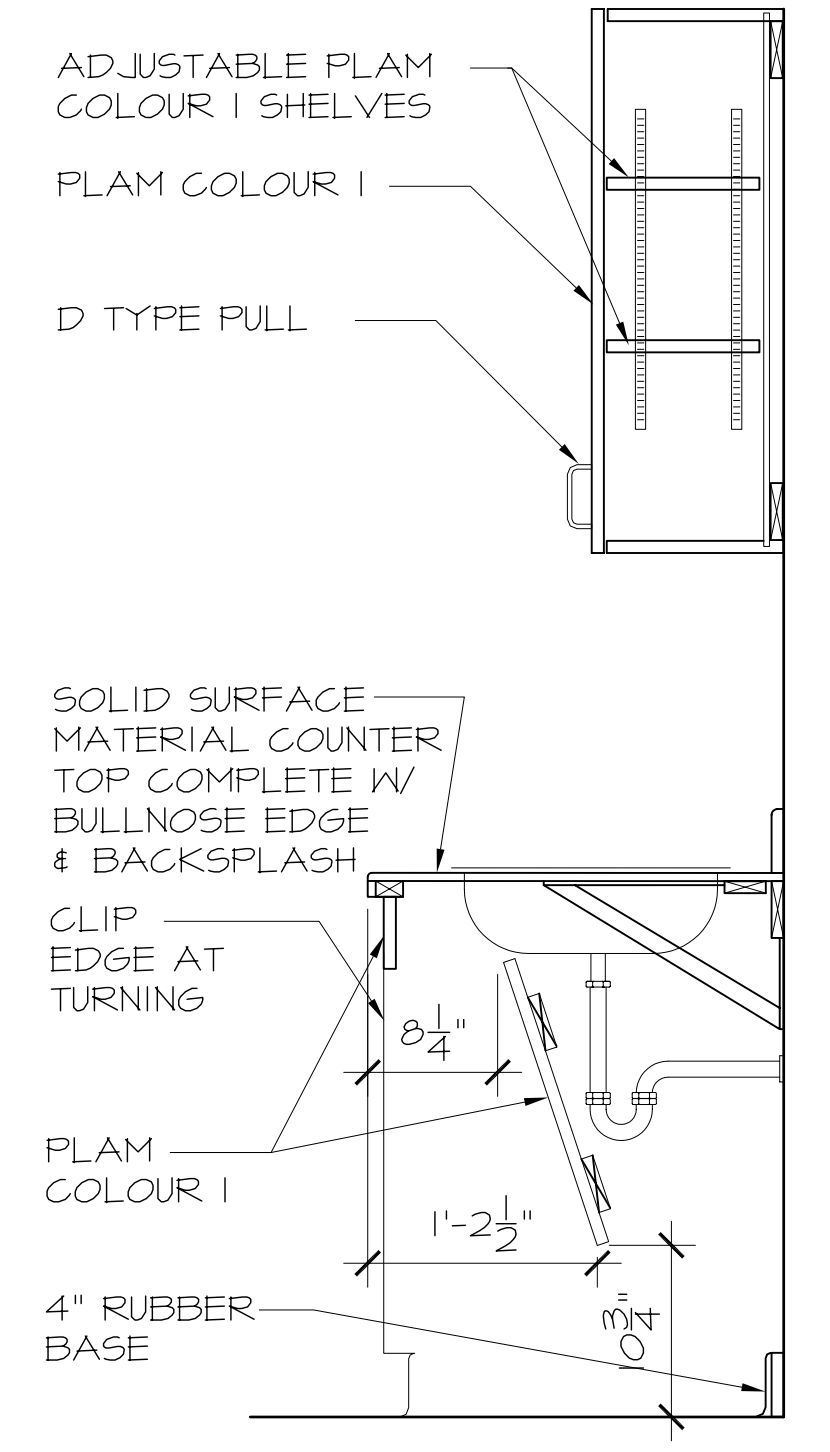
4 MULTI-PURPOSE ROOM 102
3.0/9.0 1/4" = 1'-0"



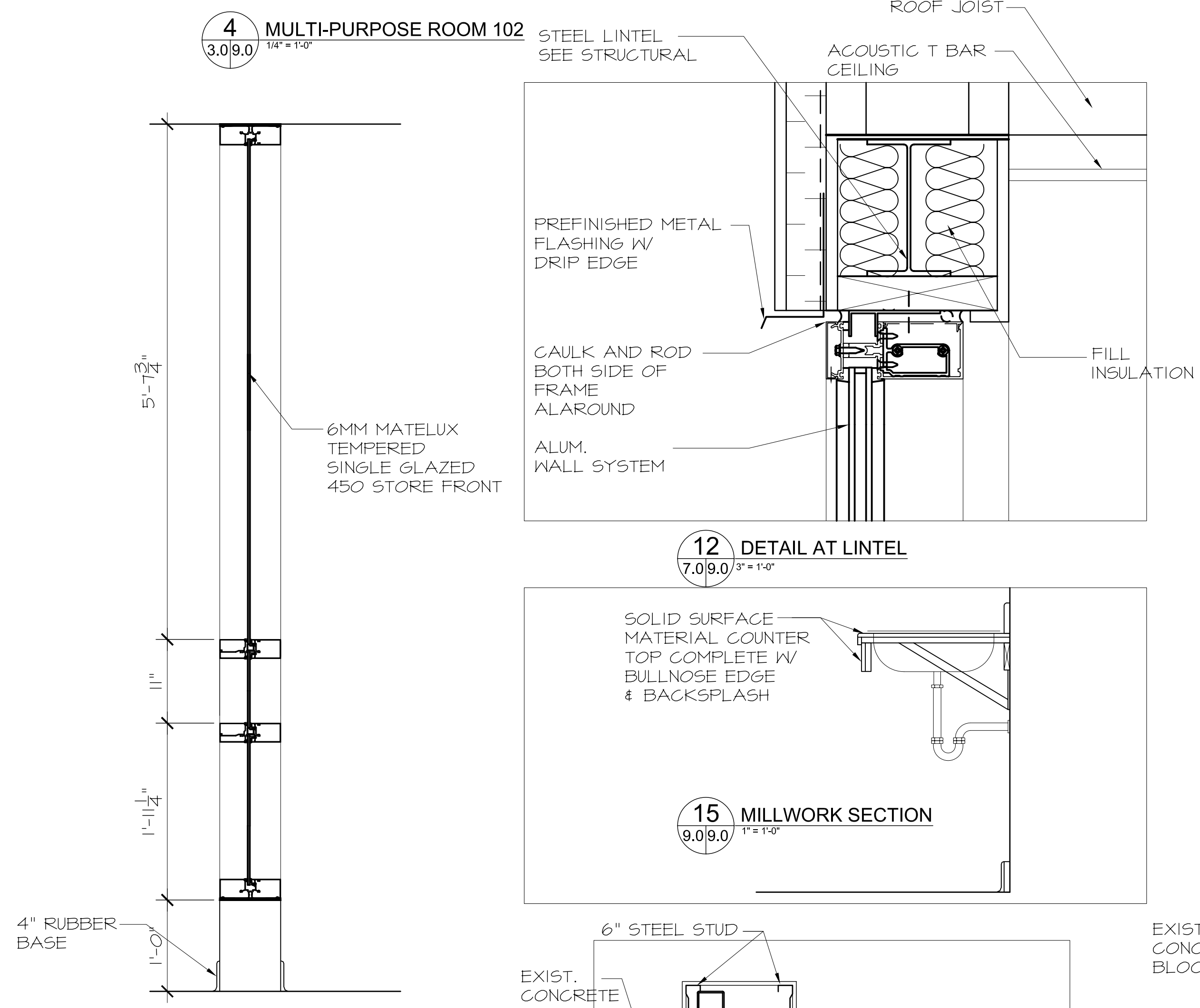
6 BARRIER FREE W/C 105/SIGN OUTSIDE
3.0/9.0 1/4" = 1'-0"



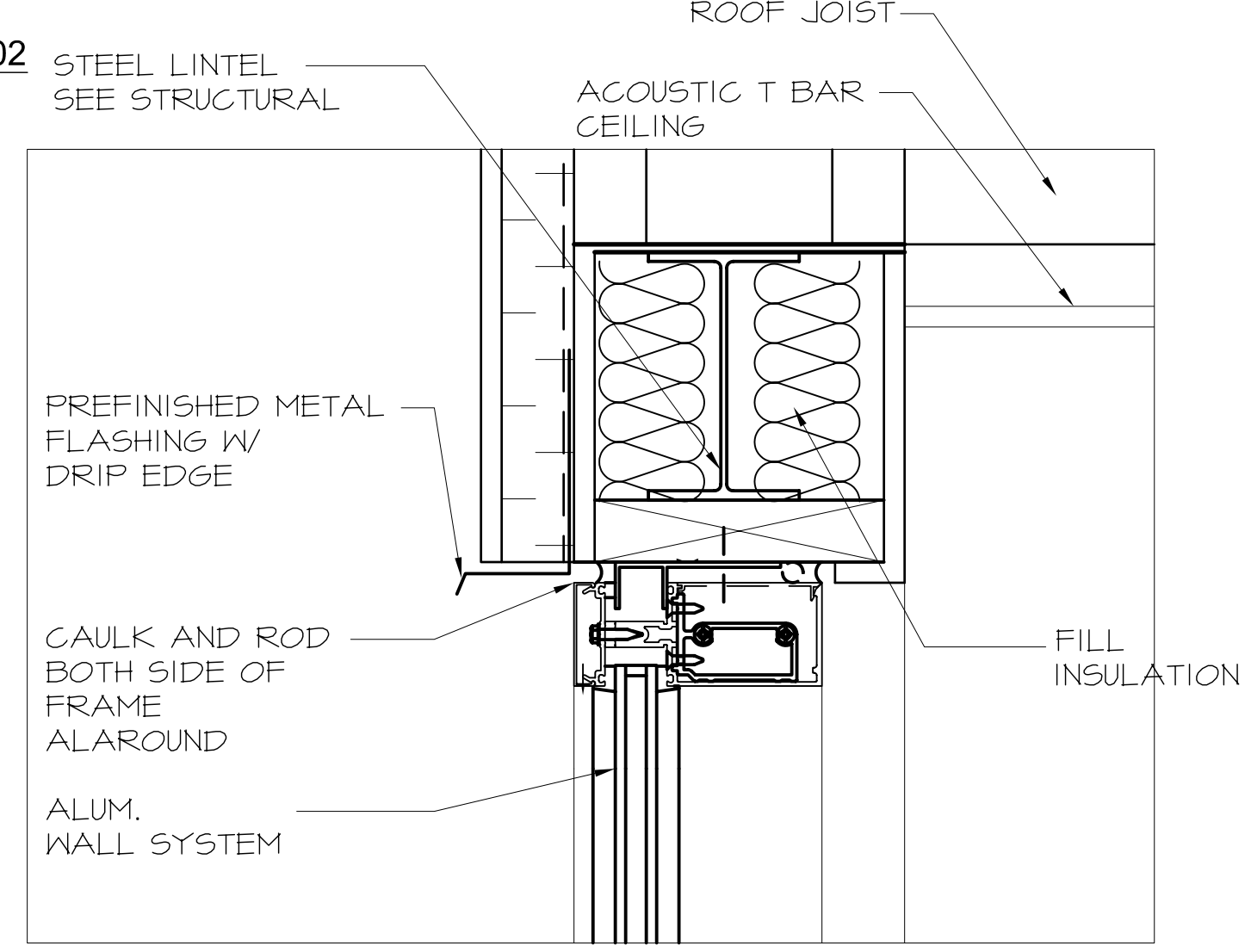
9 MILLWORK SECTION
9.0/9.0 1" = 1'-0"



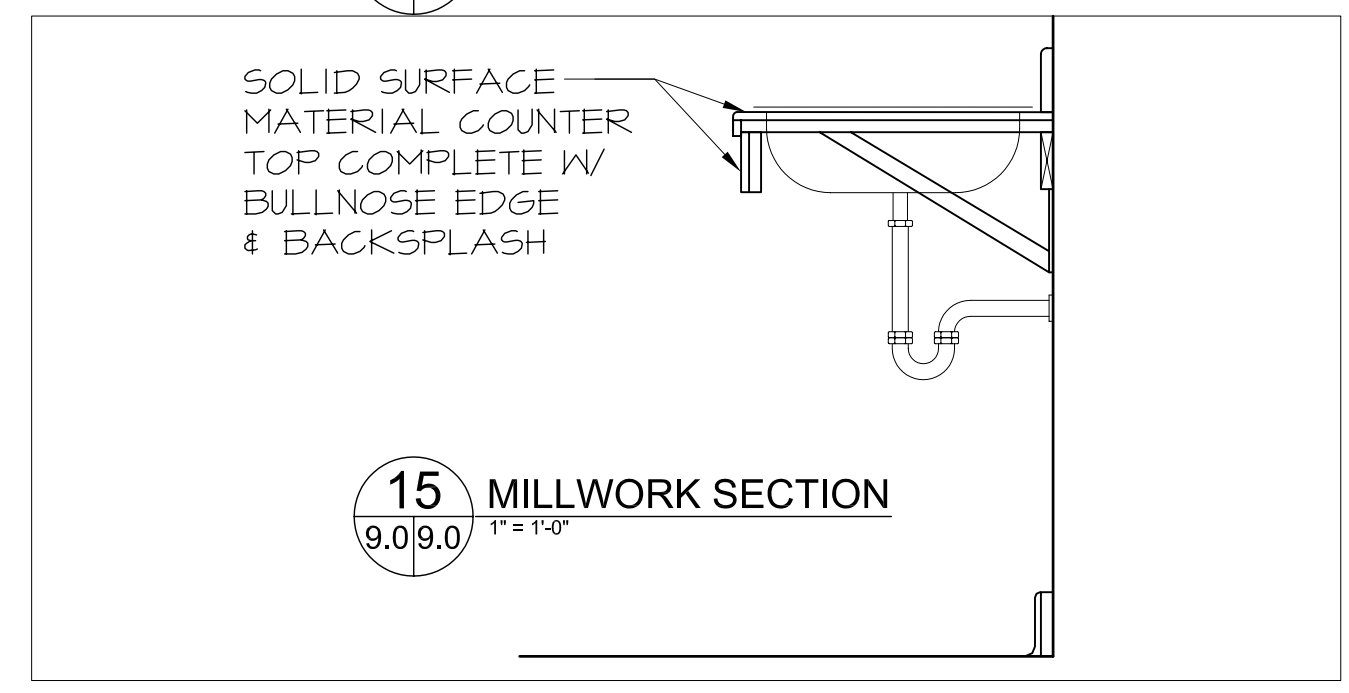
10 MILLWORK SECTION
9.0/9.0 1" = 1'-0"



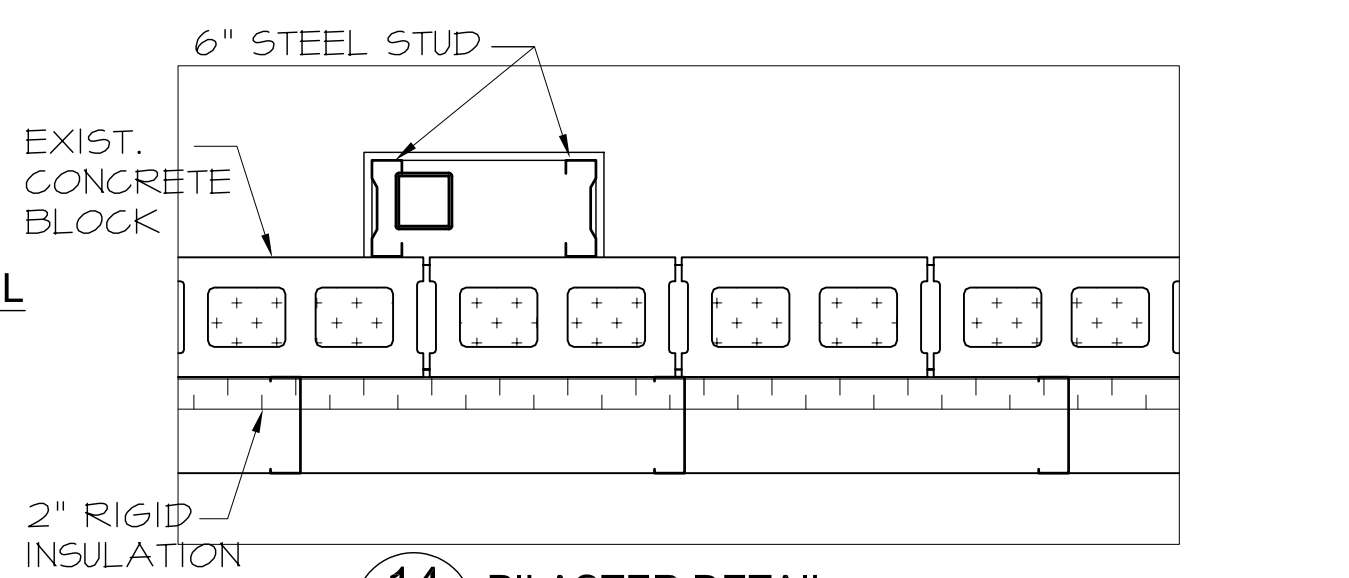
11 GLAZED PARTITION DETAIL
9.0/9.0 1" = 1'-0"



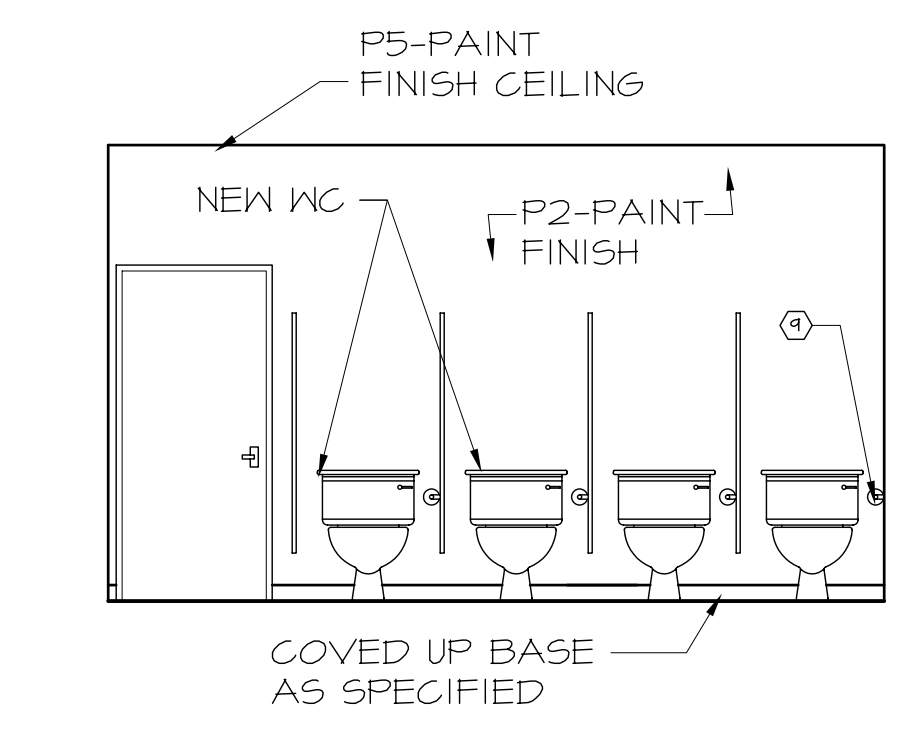
12 DETAIL AT LINTEL
7.0/9.0 3/8" = 1'-0"



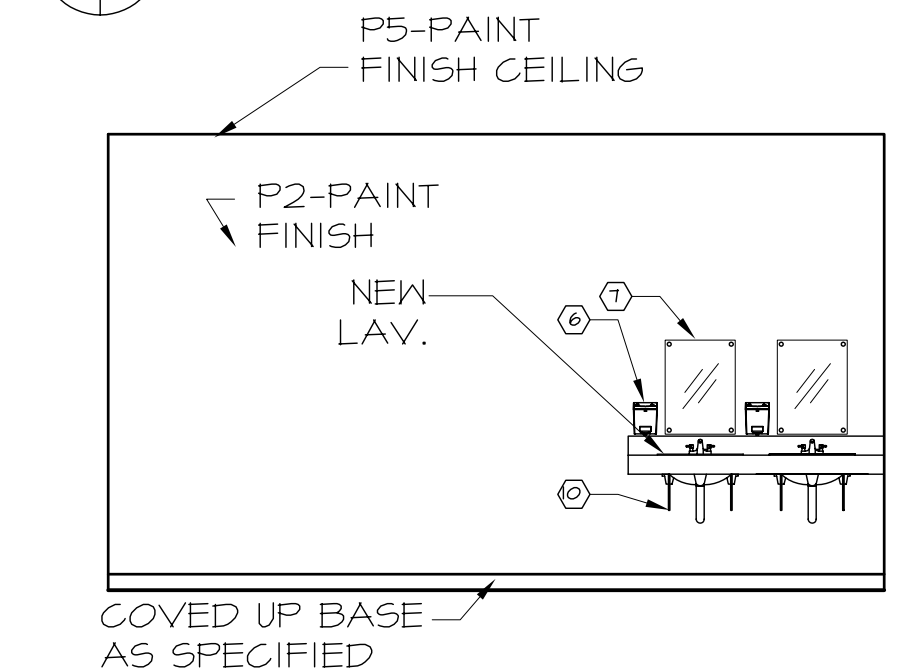
15 MILLWORK SECTION
9.0/9.0 1" = 1'-0"



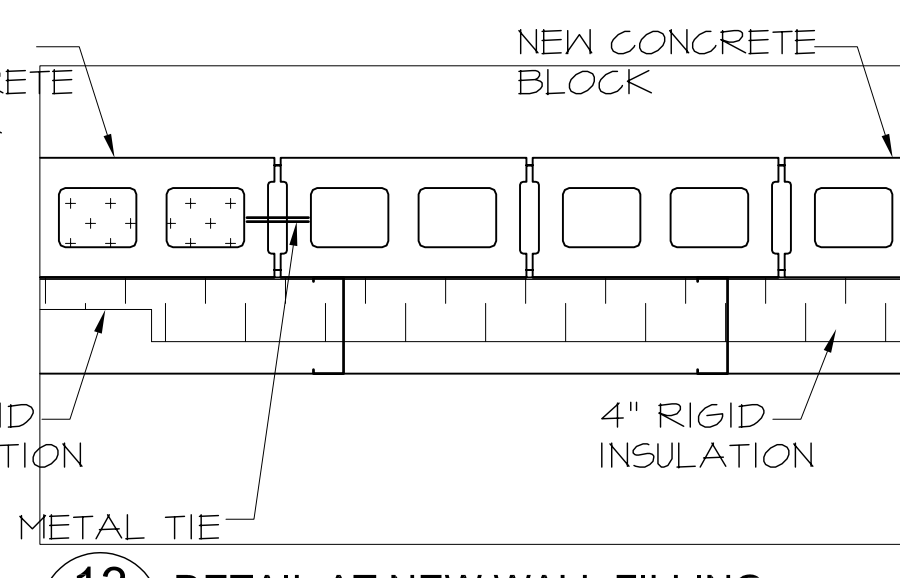
14 PILASTER DETAIL
3.0/9.0 1" = 1'-0"



7 FEMALE WASHROOM 104
3.0/9.0 1/4" = 1'-0"



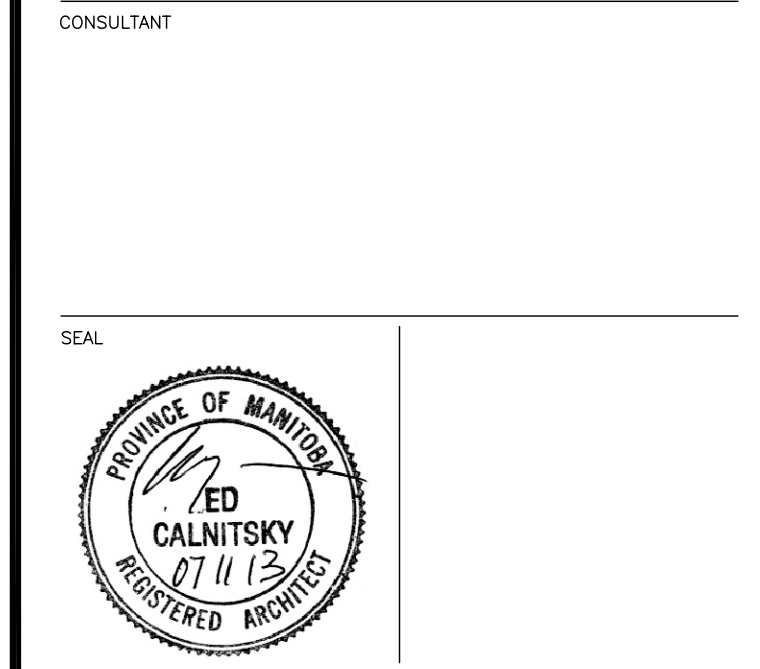
8 FEMALE WASHROOM 104
3.0/9.0 1/4" = 1'-0"



13 DETAIL AT NEW WALL FILLING
3.0/9.0 1" = 1'-0"

NO.	REVISION	DATE	BY
3	ISSUED FOR TENDER	Nov 2007	
2	ISSUED FOR FINAL REVIEW	6 July 2007	
1	ISSUED FOR REVIEW	7 May 2007	

THIS DRAWING IS THE EXCLUSIVE PROPERTY OF THE ARCHITECT AND CAN BE REPRODUCED ONLY WITH THE PERMISSION OF THE ARCHITECT IN WHICH CASE THE REPRODUCTION MUST BEAR THE NAME OF THE ARCHITECT.
THIS DRAWING SHALL NOT BE SCALED. FOLLOW GIVEN DIMENSIONS ONLY.
THE CONTRACTOR SHALL SATISFY HIMSELF THAT ALL DIMENSIONS AND INFORMATION SHOWN ARE CORRECT.
PRIOR TO COMMENCEMENT OF WORK REPORT ANY DISCREPANCIES TO THE ARCHITECT.
VARIATIONS AND MODIFICATIONS TO WORK SHOWN WILL NOT BE ALLOWED WITHOUT WRITTEN PERMISSION OF THE ARCHITECT.



CALNITSKY ASSOCIATES ARCHITECTS

ARCHITECTURE | INTERIOR DESIGN
124 Nassau Street North | Winnipeg, Manitoba R3L 2H1
Tel: (204) 453-6441 | Fax: (204) 453-3392
E-mail: caa@escape.ca

PROJECT TITLE
NOTRE DAME COMMUNITY CENTRE RENOVATION
271 AVE. DE LA CATHEDRALE
WINNIPEG, MANITOBA

SHEET TITLE
INTERIOR ELEVATIONS AND DETAILS PHASE 1

DRAWN BY	SCALE	SHEET NUMBER
MU	AS NOTED	A-9.0
CHECKED BY	DATE	
EC	15 Oct. 2007	
PROJECT NUMBER	REVISION	
06-012		