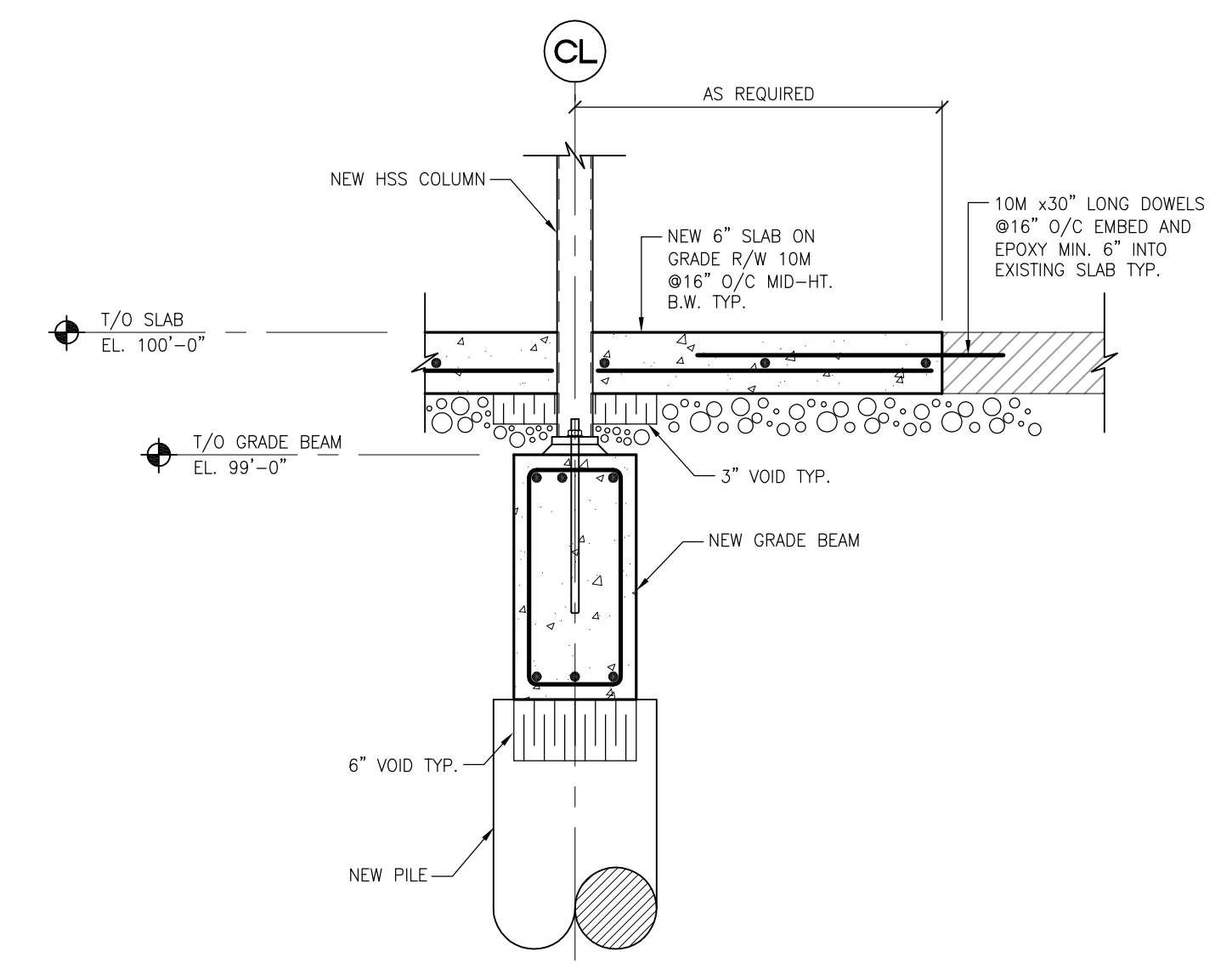
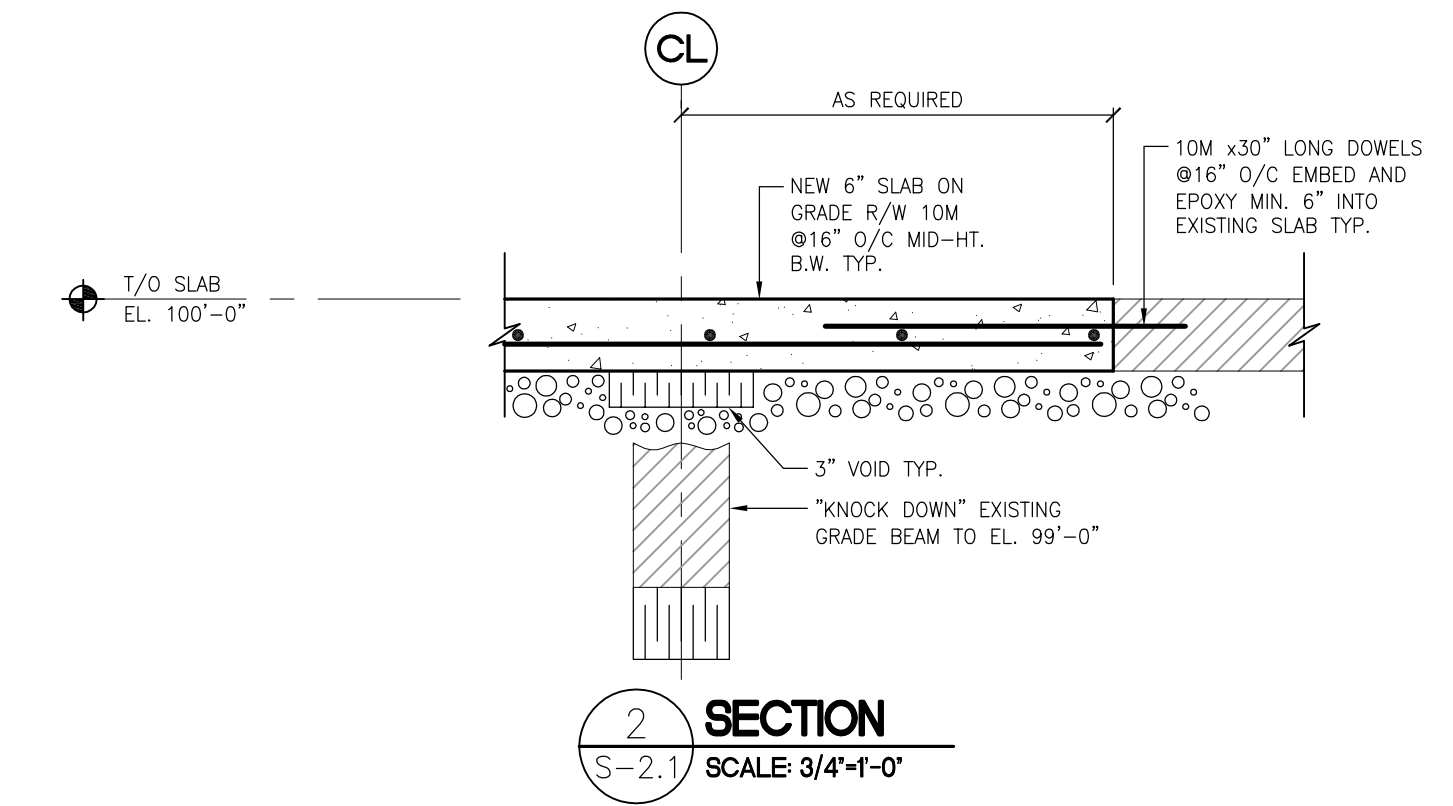


**E PLAN DETAIL 'E'**  
S-2.1 SCALE: 3/4"=1'-0"



**1 SECTION**  
S-2.1 SCALE: 3/4"=1'-0"



**2 SECTION**  
S-2.1 SCALE: 3/4"=1'-0"

NO.	REVISION	DATE	BY
2.	RE-ISSUED FOR BID OPPORTUNITY	12/05/07	NM
1.	ISSUED FOR BID OPPORTUNITY	11/27/07	NM
0.	ISSUED FOR FINAL REVIEW	10/12/07	NM

THIS DRAWING IS THE EXCLUSIVE PROPERTY OF THE CONTRACT ADMINISTRATOR AND CAN BE REPRODUCED ONLY WITH THE PERMISSION OF THE CONTRACT ADMINISTRATOR. IN WHICH CASE THE REPRODUCTION MUST BEAR THE NAME OF THE CONTRACT ADMINISTRATOR.

THIS DRAWING SHALL NOT BE SCALED. FOLLOW GIVEN DIMENSIONS ONLY.

THE CONTRACTOR SHALL SATISFY HIMSELF THAT ALL DIMENSIONS AND INFORMATION SHOWN ARE CORRECT.

PRIOR TO COMMENCEMENT OF WORK REPORT ANY DISCREPANCIES TO THE CONTRACT ADMINISTRATOR.

VARIATIONS AND MODIFICATIONS TO WORK SHOWN WILL NOT BE ALLOWED WITHOUT WRITTEN PERMISSION OF THE CONTRACT ADMINISTRATOR.

CONSULTANT TOWER PROJECT NO. : 6184

**TOWER ENGINEERING GROUP**

TOWER ENGINEERING GROUP  
208 - 897 CORYDON AVE. WINNIPEG, MB R3M 0W7  
TEL: (204) 925-1150 FAX: (204) 925-1155  
EMAIL: towereng@towereng.ca WEB: www.towereng.ca

SEAL

ORIGINAL AS SEALED ON 12/05/07  
BY N.N. MARTINEZ, P. ENG.  
MEMBER # 23109

**APEGM**  
Certificate of Authorization  
Tower Engineering Group  
No. 1918 Expiry: April 30, 2008

**CALNITSKY ASSOCIATES ARCHITECTS**

ARCHITECTURE 124 Nassau Street North Tel: (204) 453-6441 E-mail: caa@escape.ca

INTERIOR DESIGN Winnipeg, Manitoba R3L 2H1 Fax: (204) 453-3392

PROJECT TITLE  
**NOTRE DAME COMMUNITY CENTRE**

**271 DE LA CATHEDRALE AVE. WINNIPEG, MANITOBA**

SHEET TITLE  
**PLAN DETAIL AND SECTIONS**

DRAWN BY	SCALE	SHEET NUMBER
NB	AS NOTED	<b>S-21</b>
CHECKED BY	DATE	
DN/NM	MAY 2007	
PROJECT NUMBER	REVISION	
06-012	2.	