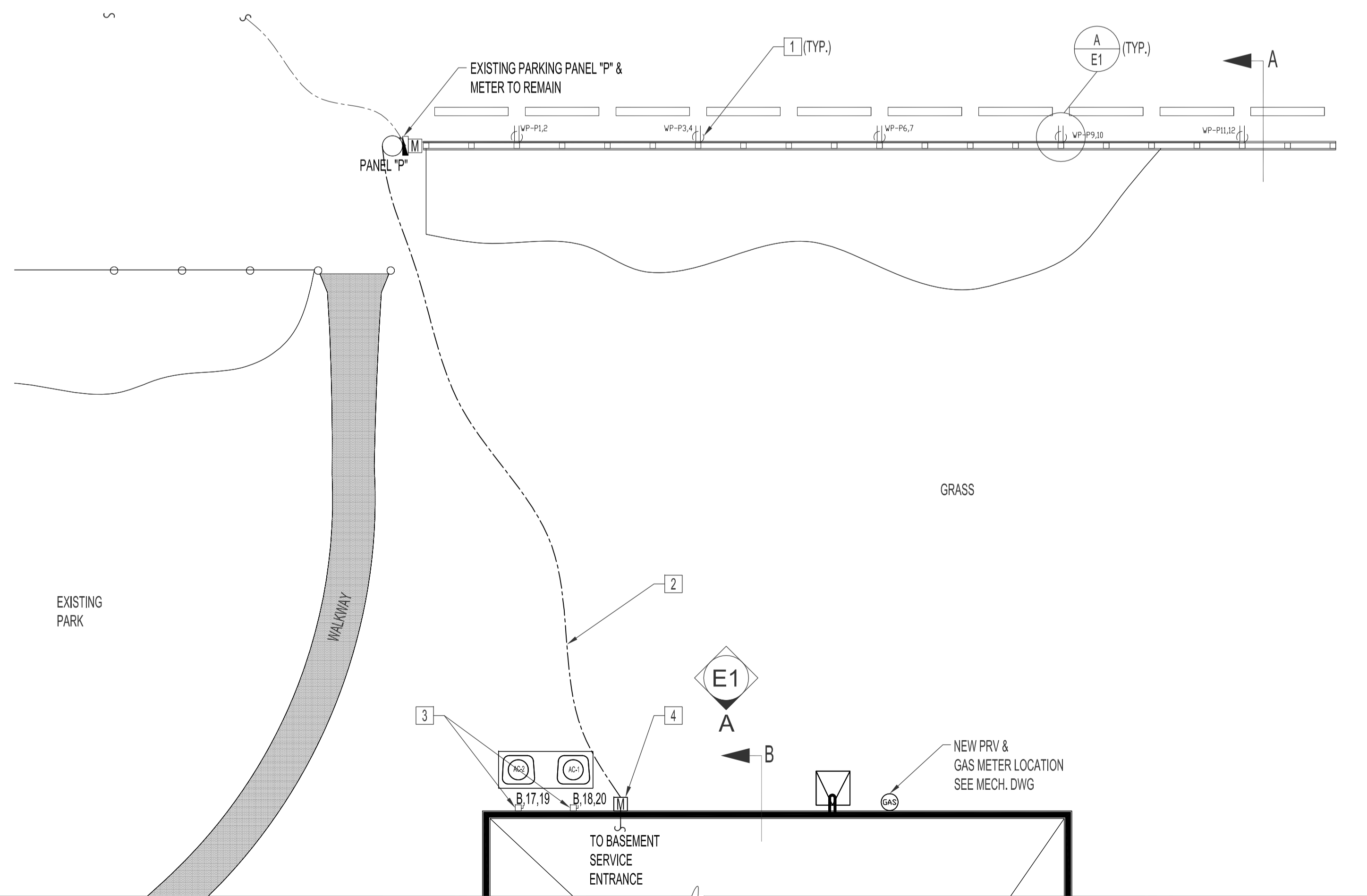
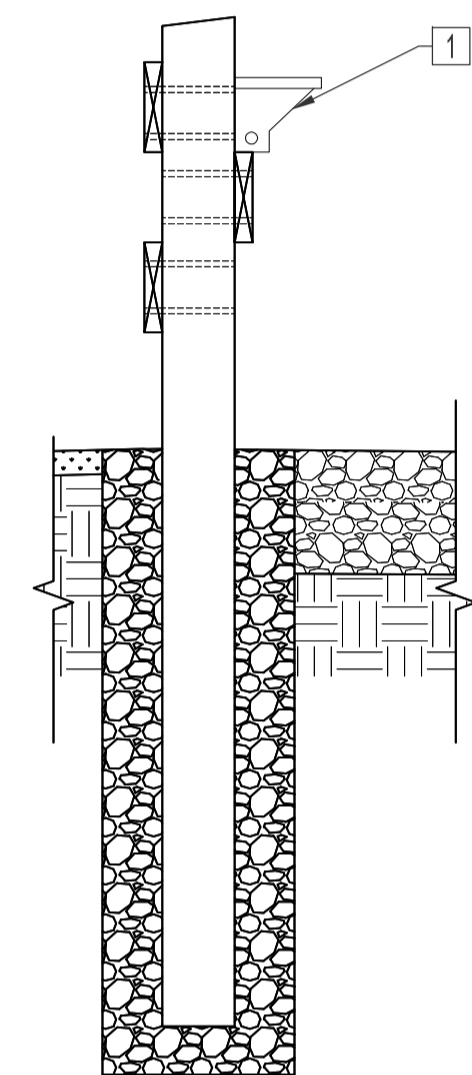


PARTIAL SITE PLAN - ELECTRICAL DEMOLITION  
 SCALE: 1/8"=1'-0"

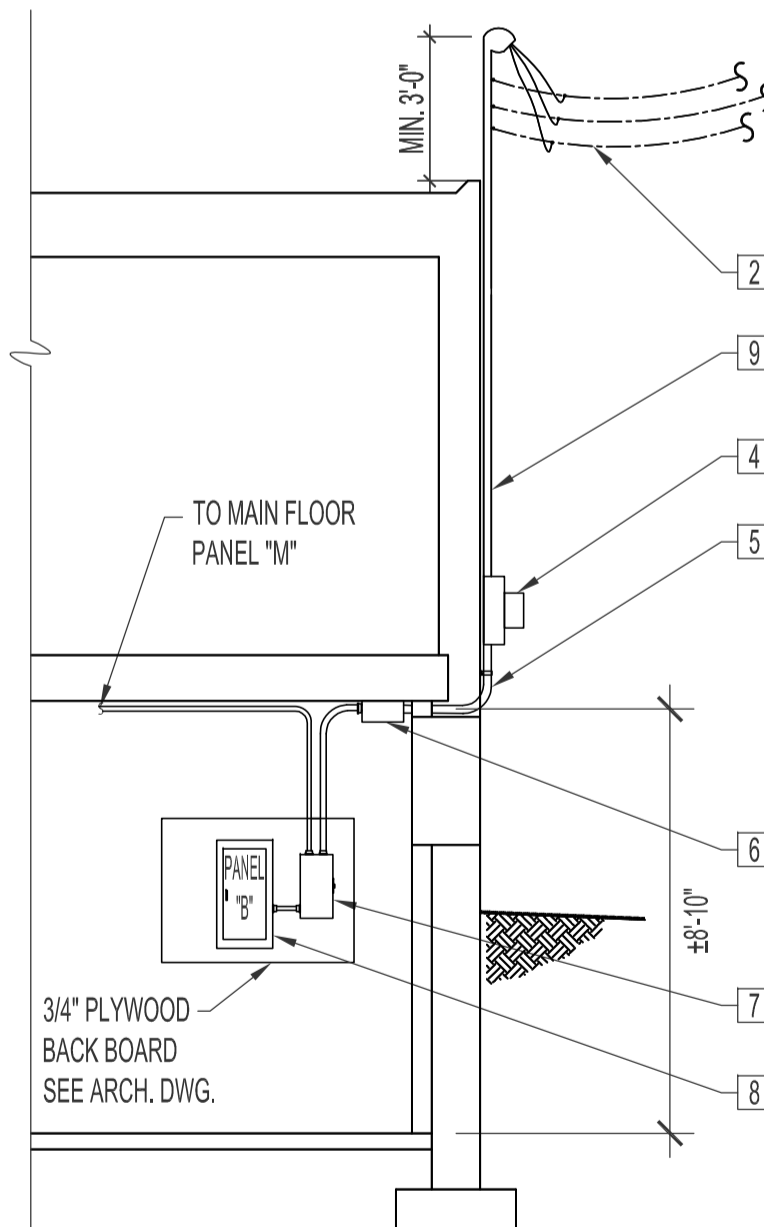


PARTIAL SITE PLAN - ELECTRICAL RENOVATION  
 SCALE: 1/8"=1'-0"

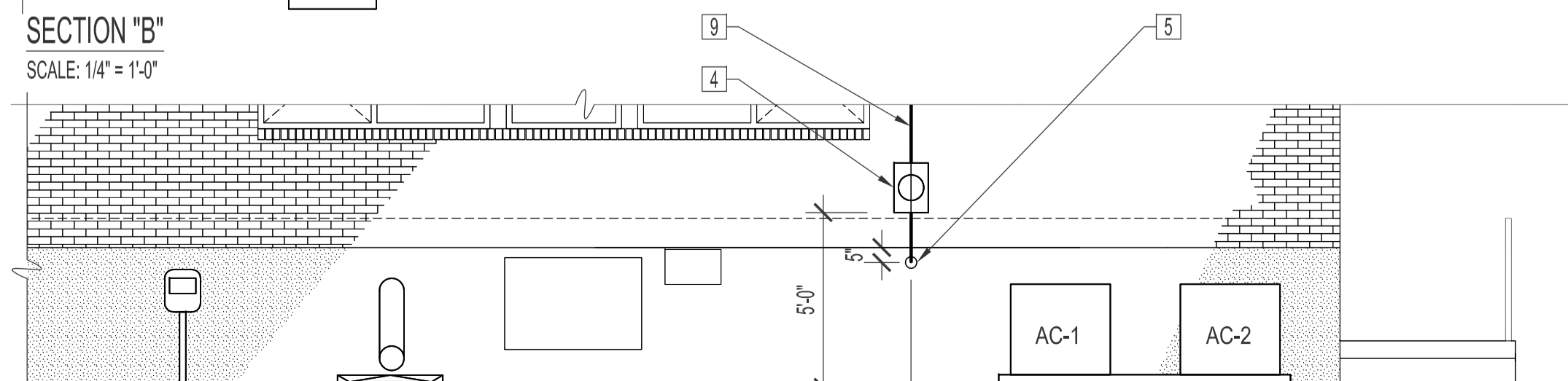
ELECTRICAL SYMBOLS	
SYMBOL	DESCRIPTION
	DUPLEX RECEPTACLE. (SUPPLY & INSTALL)
	DUPLEX RECEPTACLE WITH INDIVIDUAL WATERPROOF COVER. (SUPPLY & INSTALL)
	GROUND - FAULT CIRCUIT INTERRUPTER RECEPTACLE (SUPPLY & INSTALL)
	BUILDING ALARM MOTION SENSOR
	SINGLE POLE SWITCH (SUPPLY & INSTALL)
	THREE WAY SWITCH (SUPPLY & INSTALL)
	ELECTRICAL PANEL, RECESSED MOUNT (SUPPLY & INSTALL)
	ELECTRICAL PANEL, SURFACE MOUNT (SUPPLY & INSTALL)
	DISCONNECT SWITCH (SUPPLY & INSTALL)
	METER (SUPPLY & INSTALL)
	CARBON MONOXIDE & SMOKE ALARM (SUPPLY & INSTALL)
	ELECTRIC HEATER (SUPPLY & INSTALL)
	CEILING MOUNTED LIGHT FIXTURE (SUPPLY & INSTALL)
	WALL MOUNTED LIGHT FIXTURE (SUPPLY & INSTALL)
	TIME CLOCK (SUPPLY & INSTALL)



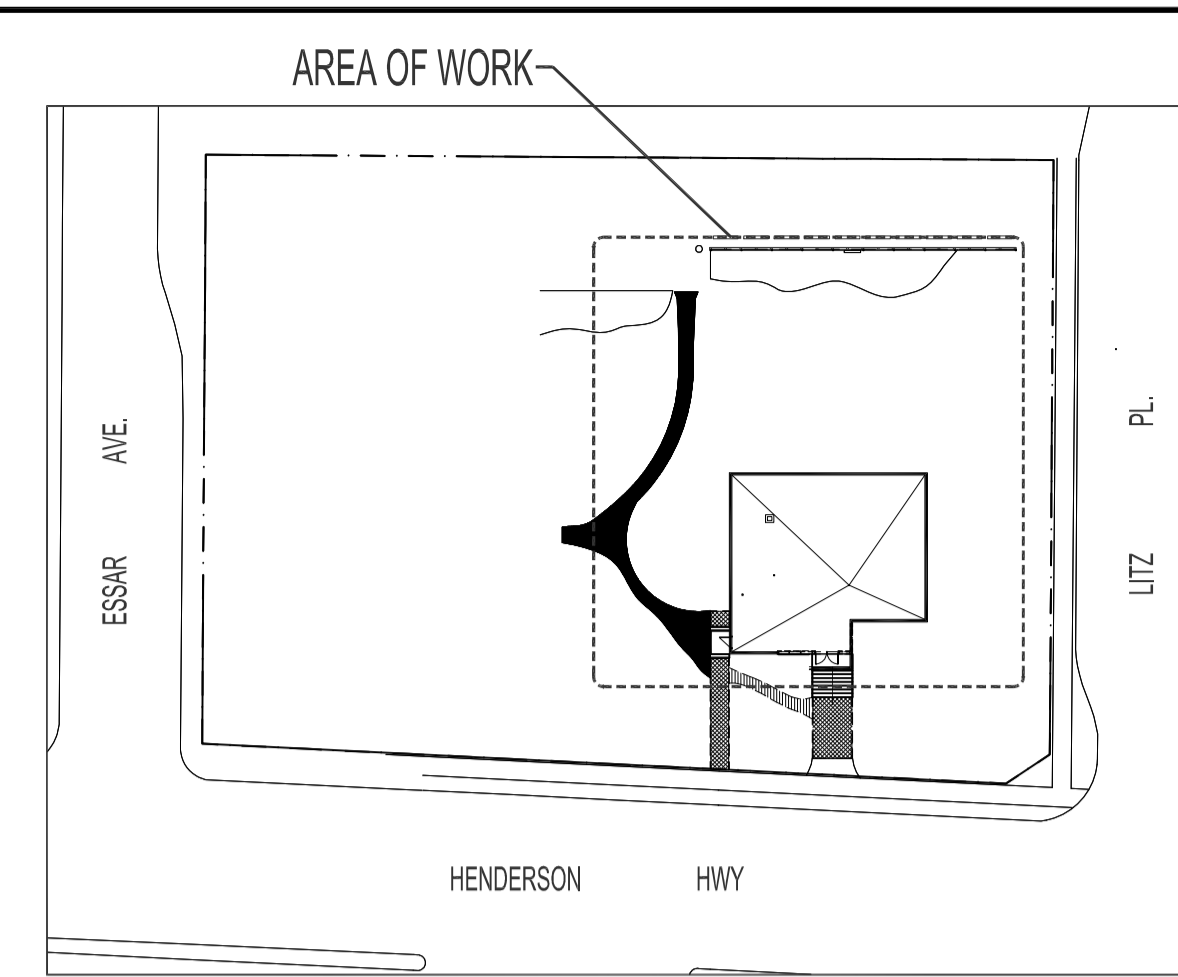
SECTION "A" - FENCE POST (TYPICAL)  
 SCALE: N.T.S.



SECTION "B"  
 SCALE: 1/4"=1'-0"



PARTIAL ELEVATION "A" - ELECTRICAL RENOVATION  
 SCALE: 1/4"=1'-0"



KEY PLAN  
 SCALE: N.T.S.

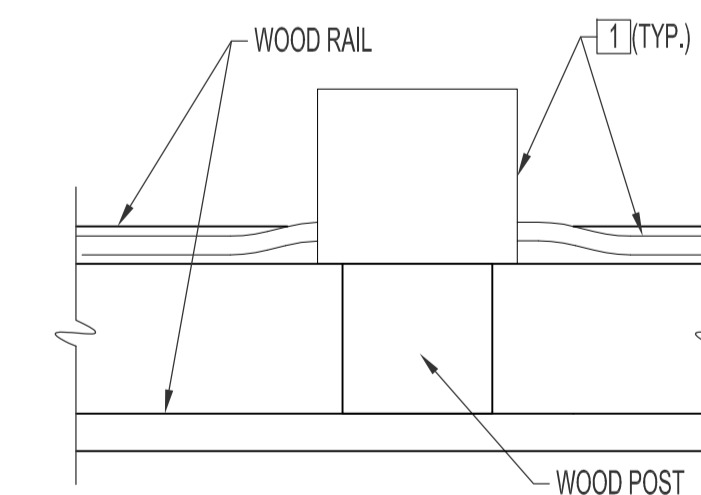
ELECTRICAL DRAWING LIST	
SHEET No.	SHEET TITLE
E1	PARTIAL SITE PLAN - ELECTRICAL DEMOLITION, RENOVATION, SECTIONS & DETAIL
E2	BASEMENT FLOOR PLAN - ELECTRICAL DEMOLITION, RENOVATION, SCHEDULES & SCHEMATIC
E3	MAIN FLOOR PLAN - ELECTRICAL DEMOLITION & RENOVATION
E4	BASEMENT AND MAIN FLOOR PLAN - ELECTRICAL LIGHTING & SCHEDULE

ELECTRICAL DEMOLITION NOTES

- REMOVE AND DISCARD ALL PARKING RECEPTACLES AND WIRING BACK TO SOURCE. EXISTING PARKING PANEL "P" & METER TO REMAIN.
- OVERHEAD CONDUCTORS BY MANITOBA HYDRO.
- REMOVE AND DISCARD EXISTING MASTS, INSULATOR, CONDUITS AND WIRING BACK TO SOURCE. REMOVE EXISTING METERS, RETAIN ON SITE FOR MANITOBA HYDRO.
- REMOVE AND DISCARD EXISTING DISCONNECT SWITCH, CONDUITS AND WIRING.

ELECTRICAL RENOVATION NOTES

- SUPPLY & INSTALL WIRING ALONG TOP RAIL ENTERING SIDES OF RECEPTACLES. WIRE TO EXISTING PARKING PANEL "P". CONDUCTORS SHALL BE FED TO INDIVIDUAL RECEPTACLES THROUGH 3/4" EMT. WIRE AS PER SCHEDULE. EAGLE DUPLEX RECEPTACLE C/W WEATHER PROOF COVER, PREMIUM GRADE.
- PRIMARY CONDUCTORS TO BE PROVIDED BY MANITOBA HYDRO. CONTRACTOR TO PROVIDE FULL SERVICE HOOK-UP.
- SUPPLY & INSTALL NEW WEATHER PROOF DISCONNECT SWITCHES FOR NEW AIR CONDITIONING CONDENSING UNITS.
- SUPPLY & INSTALL METER SOCKET/ENCLOSURE. REFER TO ELECTRICAL EQUIPMENT SCHEDULE.
- CONDUCTORS IN CONDUIT SHALL ENTER BUILDING ABOVE GRADE. CORE WALL, GROUT & SEAL ENTIRE OPENING AS REQUIRED. SEE LOCATION AS SHOWN.
- SUPPLY & INSTALL TAP BOX. SEE ELECTRICAL EQUIPMENT SCHEDULE.
- SUPPLY & INSTALL SERVICE ENTRANCE. SEE ELECTRICAL EQUIPMENT SCHEDULE.
- SUPPLY & INSTALL SURFACE MOUNT PANEL "B". SEE ELECTRICAL EQUIPMENT SCHEDULE.
- CONTRACTOR TO SUPPLY & INSTALL ELECTRICAL MAST.



DETAIL "A" (TYPICAL)  
 SCALE: N.T.S.

**NOTES :**

THESE DRAWINGS SHALL NOT BE SCALED.

THE CONTRACTOR SHALL VISIT THE SITE AND SATISFY HIMSELF ALL DIMENSIONS, DATUM, AND DETAILED INFORMATION SHOWN ARE CORRECT.

THE CONTRACTOR IS TO REVIEW AND COORDINATE ALL ARCHITECTURAL, MECHANICAL, ELECTRICAL AND STRUCTURAL DRAWINGS FOR ADDITIONAL OPENINGS THROUGH FLOORS, WALLS, AND CEILINGS FOR DUCT, PIPE & ELECTRICAL RISERS AND ALL OPENINGS NOT SHOWN ON DRAWINGS.

ALL OPENINGS THROUGH FIRE ASSEMBLIES INCLUDING MECHANICAL RM. (B-04) ARE TO BE FIRE STOPPED AND SEALED WITH ULC APPROVED FIRE STOPPING TO MAINTAIN THE INTEGRITY OF THE FIRE SEPARATION, AND PROVIDE A SMOKE-TIGHT BARRIER.

ALL PRODUCTS AND MATERIALS TO BE USED AND INSTALLED SHALL CONFORM WITH MANUFACTURER'S SPECIFICATIONS & APPLICABLE CODES.

THE CONTRACTOR SHALL BE RESPONSIBLE TO PATCH AND MAKE GOOD ALL EXISTING CONSTRUCTION AFFECTED BY THE REMOVAL OF ALL ITEMS FORMING THE PART OF THE RENOVATION WORK.

ALL NEW LIGHTING FIXTURES & NEW RECEPTACLES TO BE CONNECTED TO APPROPRIATE PANELS. EXCEPT FOR EMERGENCY LIGHT REMOTE HEADS TO BE CONNECTED TO EMERGENCY LIGHT BATTERY PACK(S).

GENERAL DUTY RECEPTACLES & SWITCHES SHALL BE CSA APPROVED, C/W STAINLESS STEEL TRIM PLATES MOUNTED 400 MM ABOVE FLOOR UNLESS OTHERWISE NOTED. RECEPTACLE & SWITCH COLORS TO BE WHITE.

SUPPLY & INSTALL (R/WET) LAMACOID NAME PLATES ON ALL PANEL BOARDS & TRIM PLATES. PANEL SCHEDULE SHALL BE TYPED & INSERTED TO INSIDE OF ASSOCIATED PANEL DOOR SLEEVE PROTECTOR.

LIGHT SWITCHES SHALL BE MOUNTED 3'-0" O/C ABOVE FLOOR, EXCEPT AS NOTED.

CONTRACTOR TO CO-ORDINATE ELECTRICAL DISCONNECT AND RECONNECTION OF ELECTRICAL SERVICES WITH MANITOBA HYDRO.

ORIGINAL STAMPED BY: DOUG PALEY, P. ENG.  
 DATE: 2007.11.05

SEE ADDENDUM 1 BID OPPORTUNITY 629-2007 RCP 2007.11.05  
 CHANGED NOTE

NO.	REVISION/DESCRIPTION	BY	DATE

DRAWN BY: RCP  
 CHECKED BY: USER APPROVAL  
 DATE: 2007.10.15

CITY OF WINNIPEG  
 PLANNING, PROPERTY & DEVELOPMENT DEPARTMENT  
 CIVIC ACCOMMODATIONS DIVISION  
 300 - 65 GARRY ST. R3C 4K4

PROJECT  
 COMMUNITY POLICE SERVICE CENTRE

1400 HENDERSON HWY.

**SHEET TITLE**  
 PARTIAL SITE PLAN  
 ELECTRICAL  
 DEMOLITION, RENOVATION, SECTIONS & DETAIL

SCALE: AS SHOWN  
 PROJECT NO.: 2004-023  
 SHEET NO.: E1R1