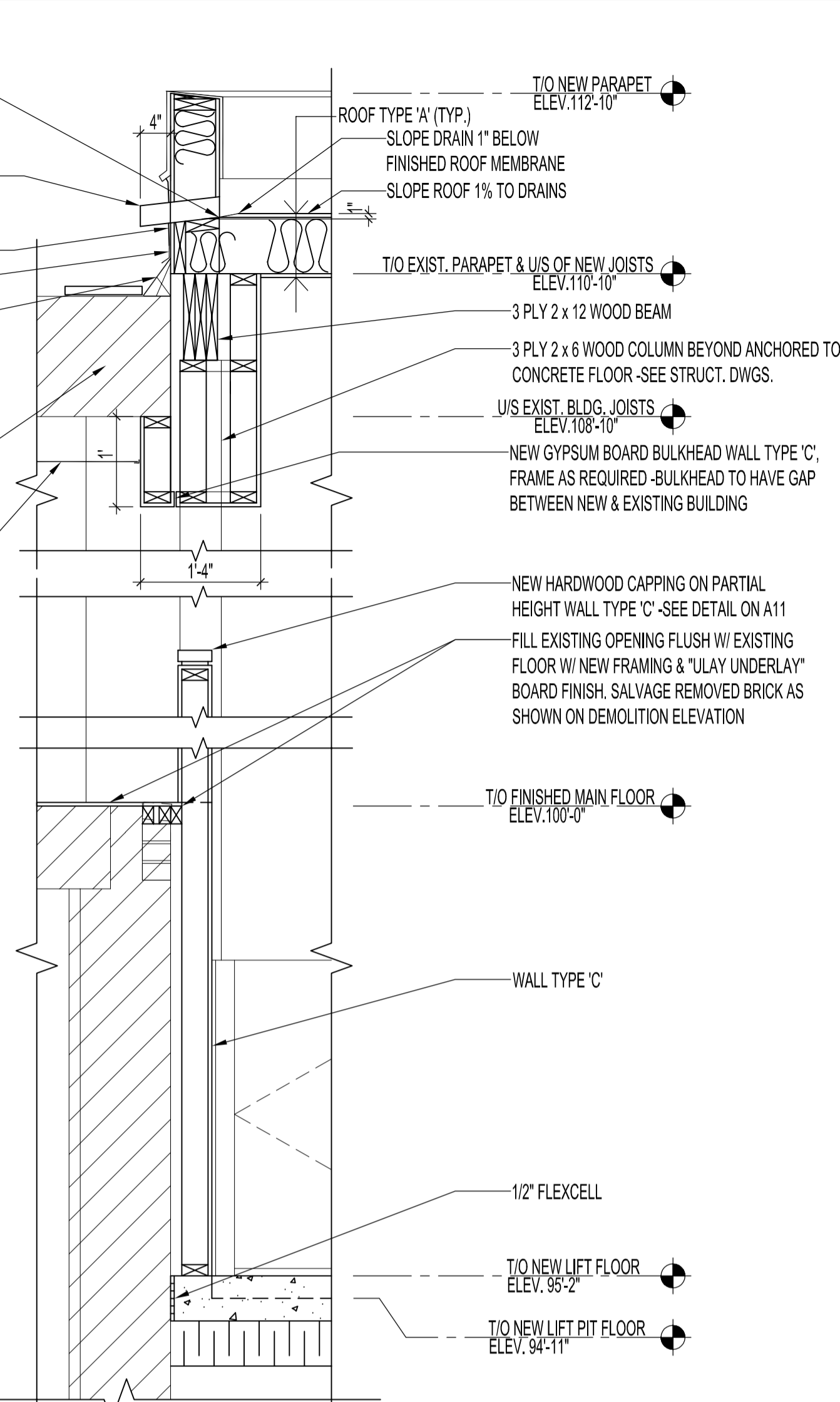
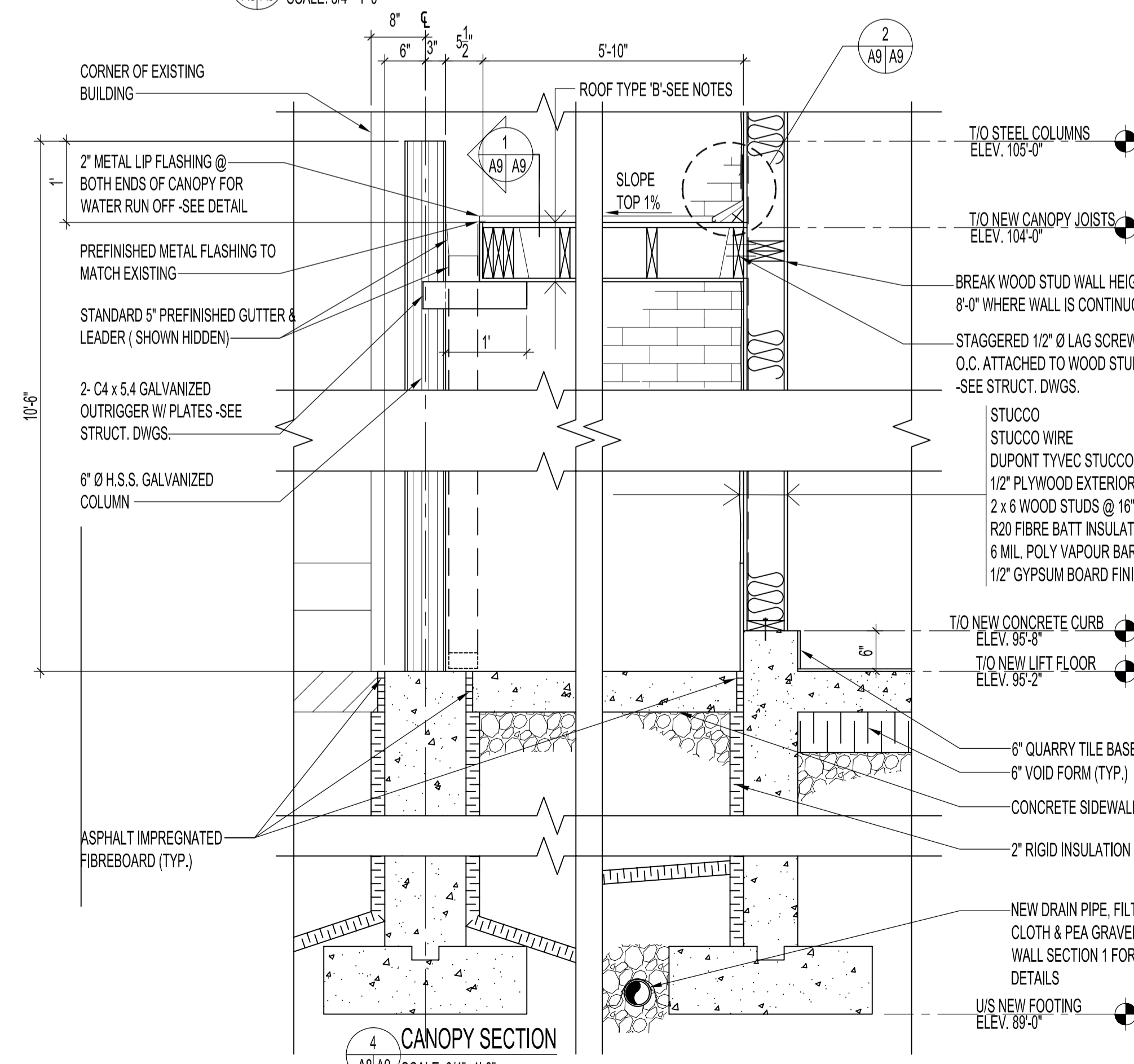


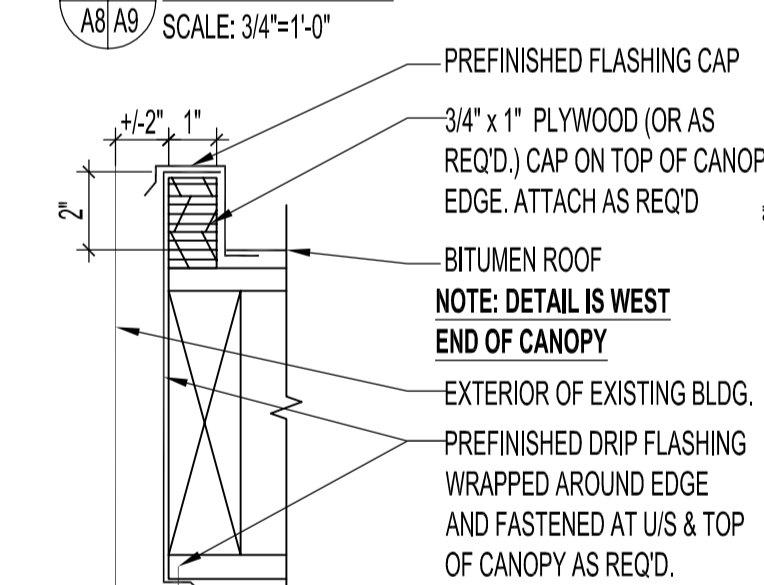
1 WALL SECTION
A8/A9 SCALE: 3/4"=1'-0"



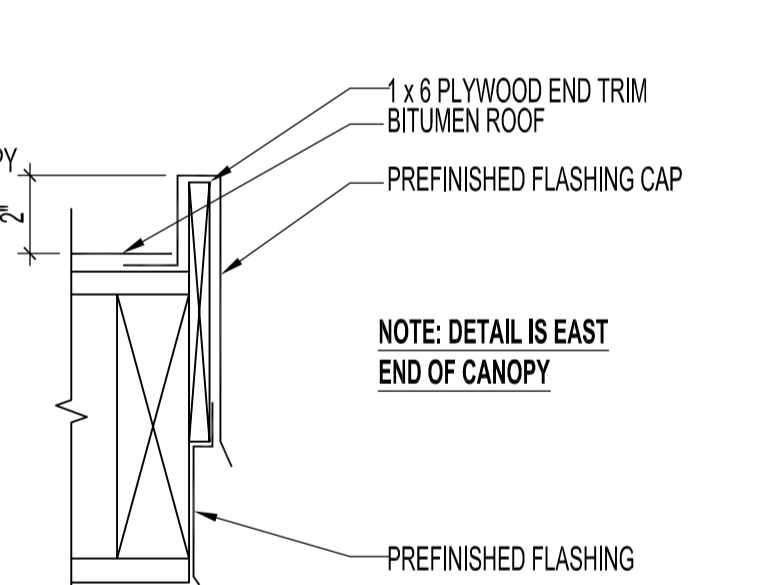
2 WALL SECTION
A8/A9 SCALE: 3/4"=1'-0"



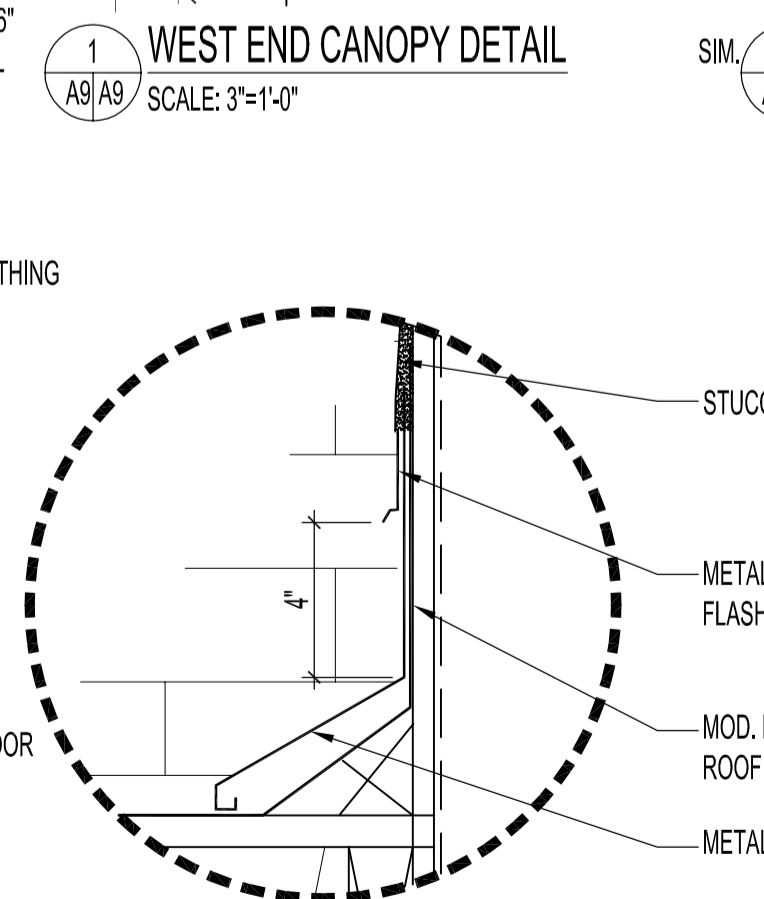
4 CANOPY SECTION
A8/A9 SCALE: 3/4"=1'-0"



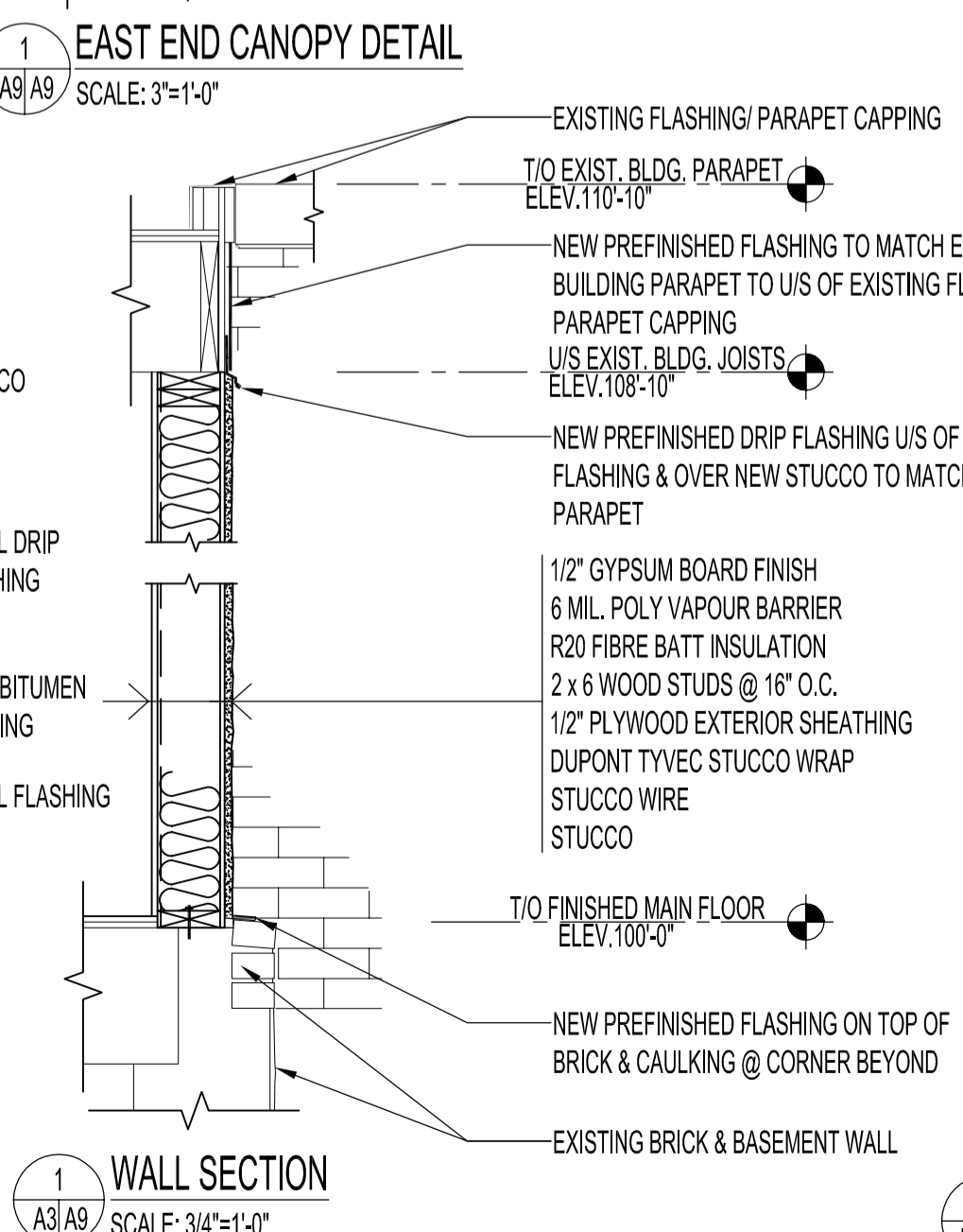
1 WEST END CANOPY DETAIL
A8/A9 SCALE: 3"=1'-0"



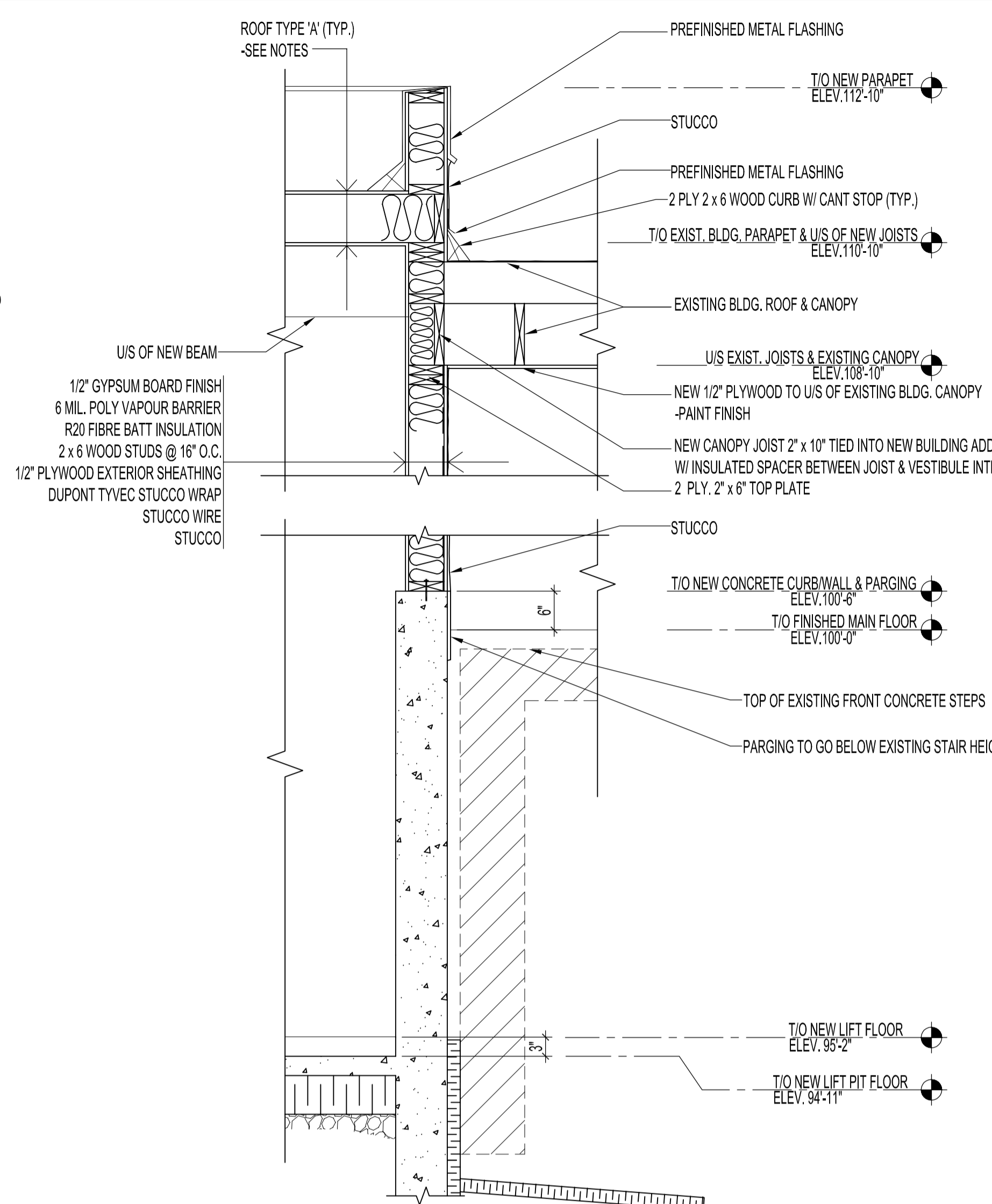
1 EAST END CANOPY DETAIL
A8/A9 SCALE: 3"=1'-0"



2 CANOPY DETAIL
A8/A9 SCALE: N.T.S.



1 WALL SECTION
A3/A9 SCALE: 3/4"=1'-0"



6 BASEMENT WALL SECTION
L2/A9 SCALE: 3/4"=1'-0"

NOTES :

ROOF CONSTRUCTION TYPES

ROOF TYPE 'A'

2 PLY S.B.S. MODIFIED BITUMEN ROOF
1/2" PLYWOOD OR 1R24 OSB ROOF SHEATHING
2 x 8 WOOD JOISTS @ 16" O.C.
R40 BATT INSULATION
6 MIL. POLY VAPOUR BARRIER
1/2" GYPSUM BOARD

ROOF TYPE 'B'

2 PLY S.B.S. MODIFIED BITUMEN ROOF
3/8" T & G FIR PLYWOOD (EXTERIOR GRADE)
2 x 8 WOOD JOISTS @ 16" O.C. W/ JOIST HANGERS
3/8" GYPSUM BOARD
SMOOTH PLASTER FINISH ON METAL LATH W/ PAINT FINISH

ORIGINAL STAMPED BY: R.K.FOK LI Arch.
DATE: 2007.10.15

NO.	REVISION/DESCRIPTION	BY	DATE
SEALS			

DRAWN BY: MMK
CHECKED BY: USER APPROVAL
DATE: 2007.10.05

CITY OF WINNIPEG
PLANNING, PROPERTY & DEVELOPMENT DEPARTMENT
CIVIC ACCOMMODATIONS DIVISION
300 - 65 GARRY ST. R3C 4K4

PROJECT: COMMUNITY POLICE SERVICE CENTRE

1400 HENDERSON HIGHWAY

SHEET TITLE

WALL SECTIONS & CANOPY SECTION

SCALE	PROJECT NO.	SHEET NO.
AS SHOWN	2004-023	A9